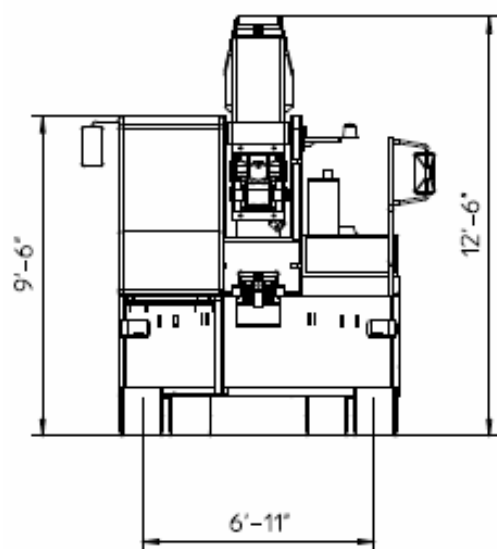
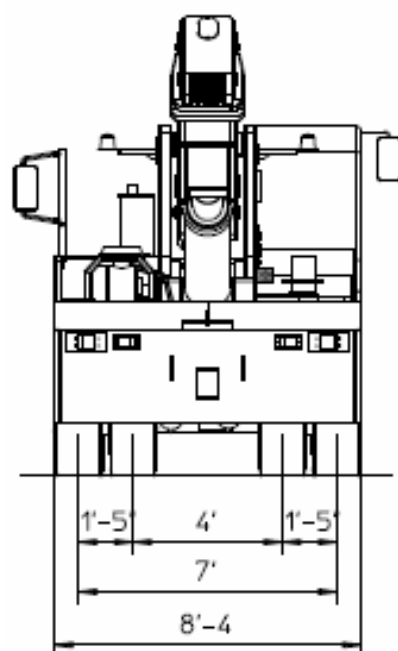
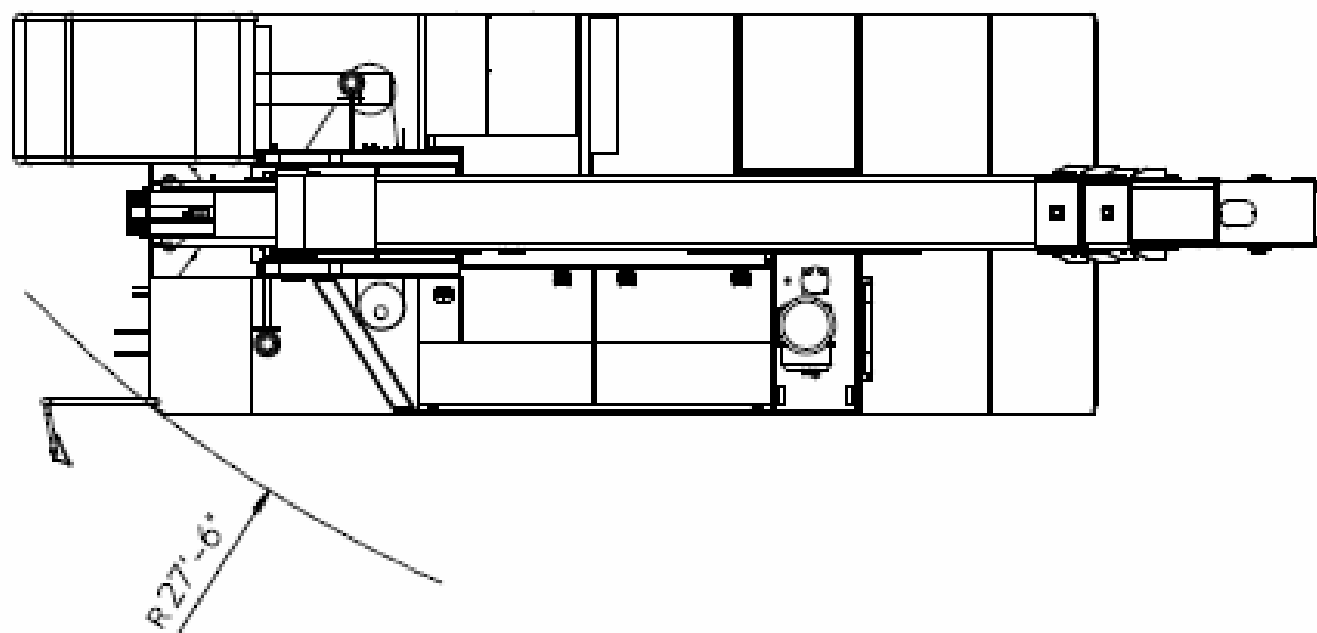




VALLA mobile crane mod. 400DE
complies with the following standards:
-2006/42/CE
-UNIEN13000
-I.S.P.E.S.L.



Data subject to be changed without any further notice.



Valla a division of CVS Ferrari Srl
Via Piacenza, 45 - 29010 Calendasco (Piacenza) - ITALIA
Tel. +39 0523 762025 / 752004 - Fax +39 0523 760531
e-mail: info@valla.com - www.valla.com



**VALLA 400 DE Electric and Diesel Mobile Crane
Max. Capacity Lbs. 88,000**



Valla	
OUTREACH (Ft)	CAPACITY (Lbs.)
6	88,000
18	24,000
29	14,000

TECHNICAL DATA

DIESEL OPERATION	ELECTRIC OPERATION
ENGINE: 8 cylinder 134Kw, 182 HP.	Motor: 28,5 kW – 96V DC with electronic control
Transmission: automatic torque converter – 6 gears forward + 3 gear reverse; max speed up to 40 km/h – hydraulic pumps PTO.	Transmission: gear box – speed up to 6 k/h Battery: 96V – 850 Ah Battery charger: on board
Electric system: 24V – road lighth	Electric pump: 96 V -18,5 kW

HYDRAULIC SYSTEM: proportional control valves, filters, safety valves.

AXLES: 1 steer oscillating + 1 driving rigid.

STEERING: reversible (on the road front steering wheels, on the job rear steering whels) – hydraulic power steering.

TYRES: 14.00 – 24 – 4 on drive axle + 2 on steering axle.

FRAME: fabricated from preformed and welded steel plate.

BOOM: fabricated from preformed and welded steel plate – with 3 hydraulic sections, entirely automatic – nylon pads.

WINCH: hydraulic.

CAB: automotive type – (optional:swivelling cab)

LMI: electronic Load Moment Indicator. Display showing lifted load, max allowed load, tilting percentage, operating radius, angle, telescope and light indicators on the operative mode.

TOTAL WEIGHT: Lbs. 72,000 (Lbs. 52,800 without counterweight)
MAX. CAPACITY: Lbs. 88,000

Options on request: manual and hydraulic jibs; cable remote control; radio remote control; man bucket and relevant certification as aerial platform; non marking tires; full set of road lights.

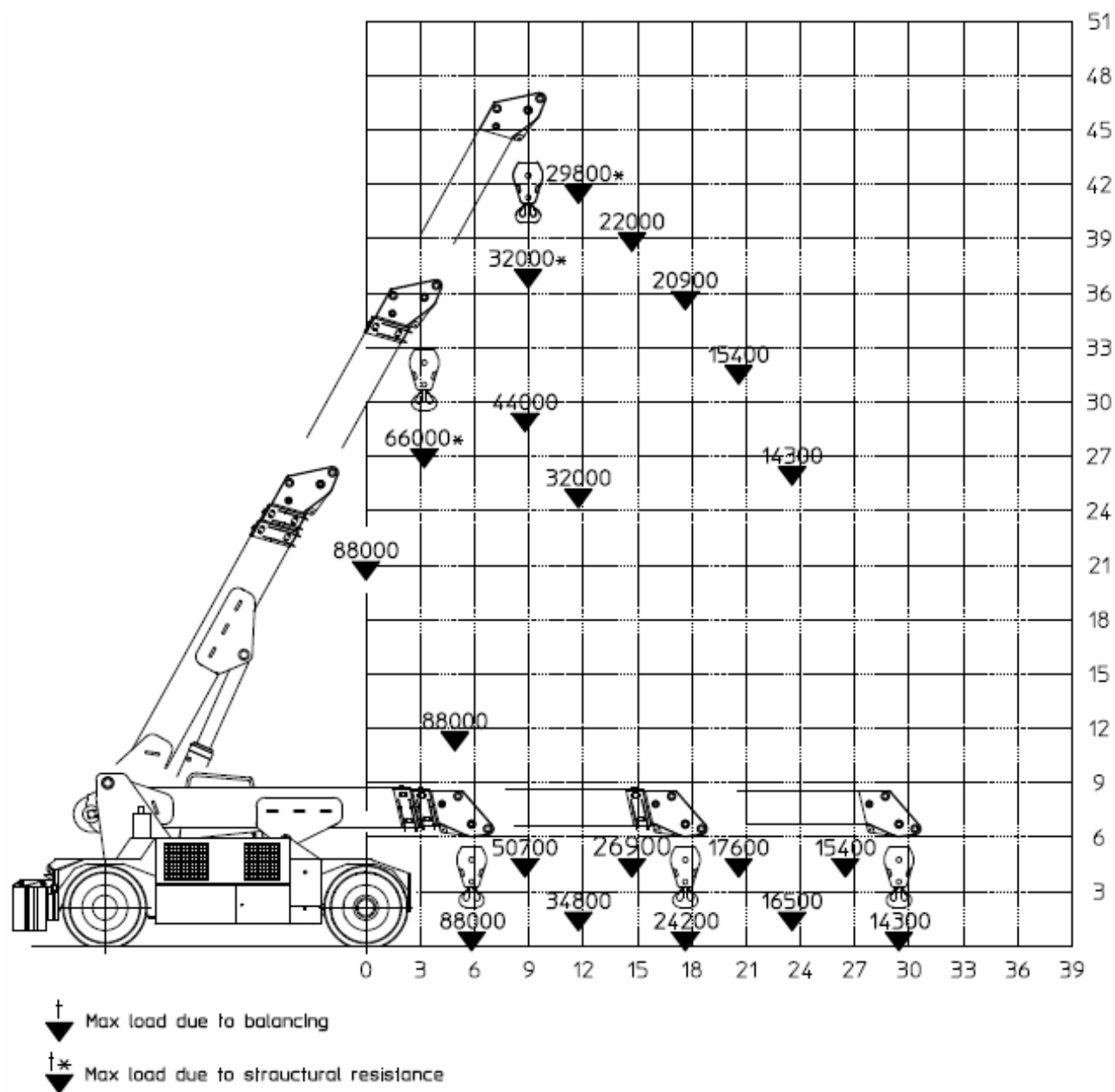


Data subject to be changed without any previous notice. Pictures may differ from technical description.





VALLA mobile crane mod. 400DE
 complies with the following standards:
 -2006/42/CE
 -UNIEN13000
 -I.S.P.E.S.L.

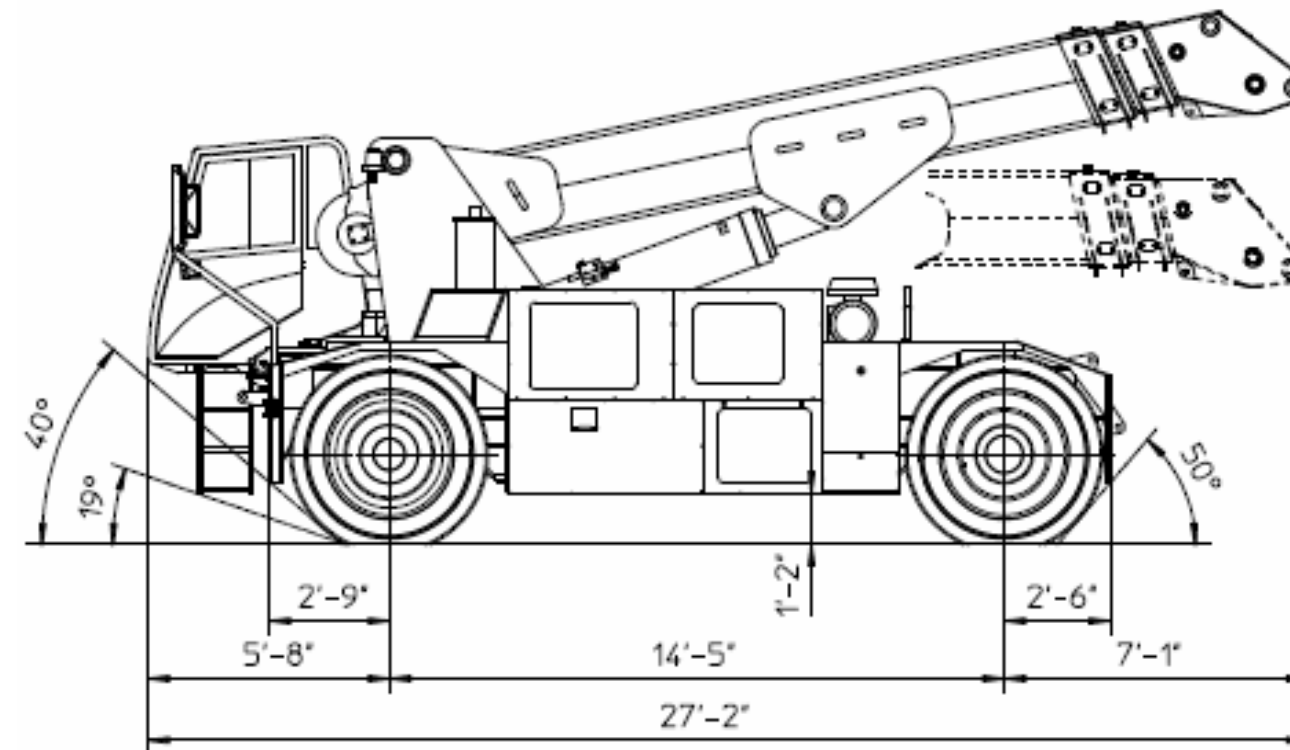


Lbs./ft

MANITEX VALLA
 SINCE 1945 LEADER IN PICK & CARRY
 Valla a division of CVS Ferrari Srl
 Via Piacenza, 45 - 29010 Calendasco (Piacenza) - ITALIA
 Tel. +39 0523 762025 / 752004 - Fax +39 0523 760531
 e-mail: info@valla.com - www.valla.com



VALLA mobile crane mod. 400DE
 complies with the following standards:
 -2006/42/CE
 -UNIEN13000
 -I.S.P.E.S.L.



Data subject to be changed without any further notice.

Data subject to be changed without any further notice.

MANITEX VALLA
 SINCE 1945 LEADER IN PICK & CARRY
 Valla a division of CVS Ferrari Srl
 Via Piacenza, 45 - 29010 Calendasco (Piacenza) - ITALIA
 Tel. +39 0523 762025 / 752004 - Fax +39 0523 760531
 e-mail: info@valla.com - www.valla.com