



# Valla



# 1725-22 SD



## Self Diesel operated Carry-Deck Mobile Crane Max. Capacity Lbs. 22,000



### TECHNICAL DATA

**ENGINE:** diesel 51 HP, water cooled engine.

**TRANSMISSION:** hydrostatic; differential axle.

**WHEELS:** 3.00 – 15” pneumatic tyres.

**STEERING:** power steering hydraulically operated.

**SUSPENSION:** oscillating rear axle.

**BRAKES:** foot operated hydraulic shoe brakes to front and rear wheels. Hand brake cable operated to front wheels.

**CRANE FRAME:** fabricated from preformed and welded steel plate with built-in counterweight. Standard carry deck.

**OUTRIGGERS:** four hydraulically independent horizontal and vertical. Fitted with safety valves.

**BOOM:** fabricated from preformed and welded steel plate with 3 hydraulic telescoping sections on nylon wear pads, 360° slewing unlimited and continuously. Incorporated manual extension.

**WINCH:** hydraulically operated.

**CAB:** full vision enclosed cab, designed as an independent unit, assembled to the frame including all driving and crane controls within easy reach of the operator.

**HYDRAULIC SYSTEM:** gear pump, electric proportional distributor controlled by single joystick, filter, safety valves on all boom operations.

**TOTAL MACHINE WEIGHT:** nearly Lbs 22,000

**Options on request:** man bucket and relevant certification as aerial platform; remote control; jib; 4 wheels steering; remote control (cable or radio).

Data subject to be changed without any previous notice. Pictures may differ from technical description.



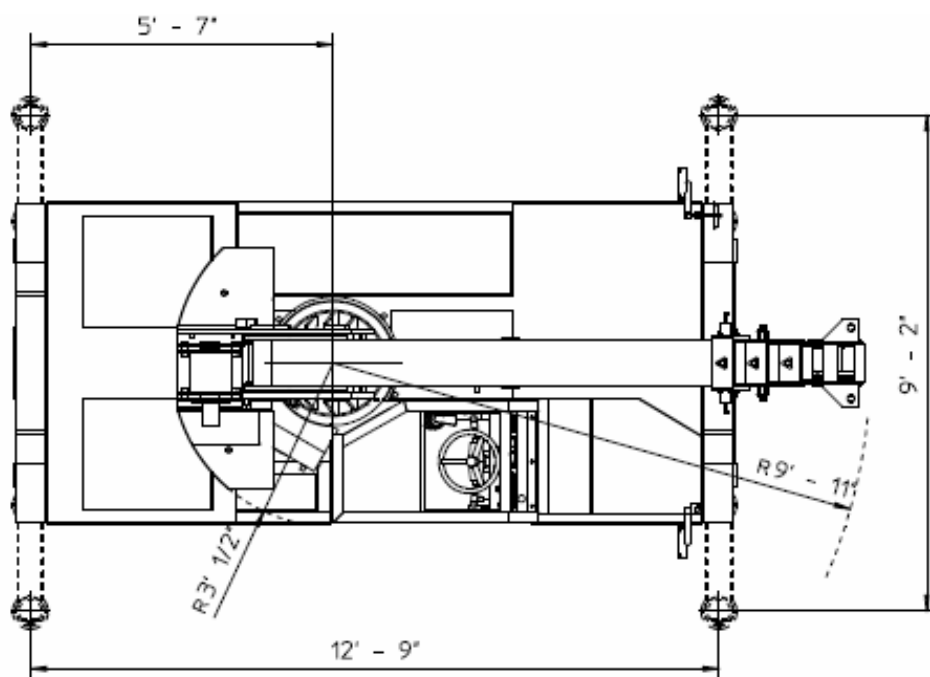
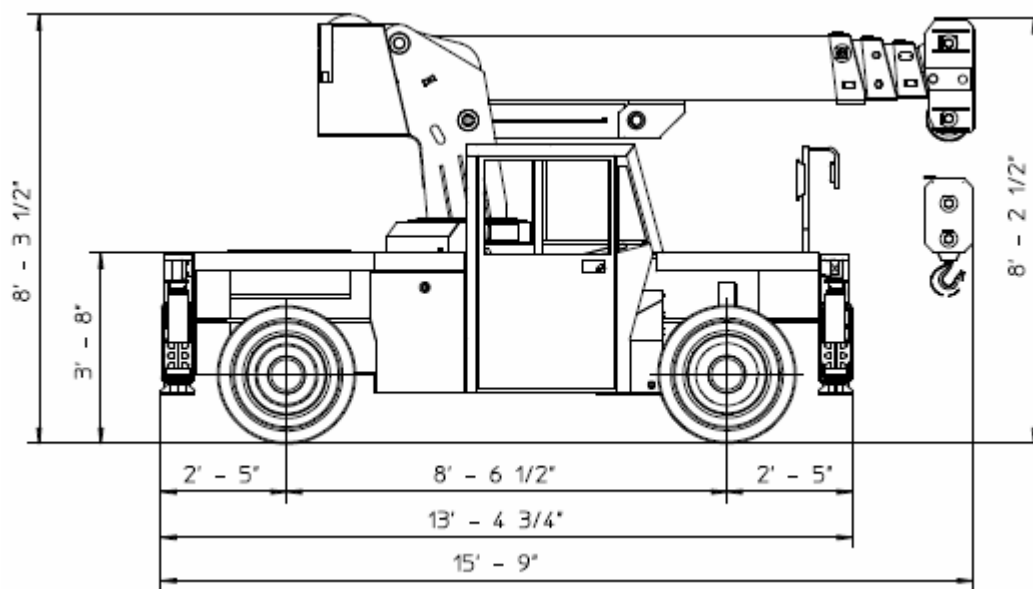
# Valla



## 1725-22 SD



The VALLA mobile crane mod. 1725-22SD  
 complies with the following standards:  
 -2006/42/CE  
 -UNIEN13000  
 -I.S.P.E.S.L.



Data subject to be changed without any previous notice. Pictures may differ from technical description.



Valla a division of CVS Ferrari Srl  
 Via Piacenza, 45 - 29010 Calendasco (Piacenza) - ITALIA  
 Tel. +39 0523 762025 / 752004 - Fax +39 0523 760531  
 e-mail: [info@valla.com](mailto:info@valla.com) - [www.valla.com](http://www.valla.com)



# Valla

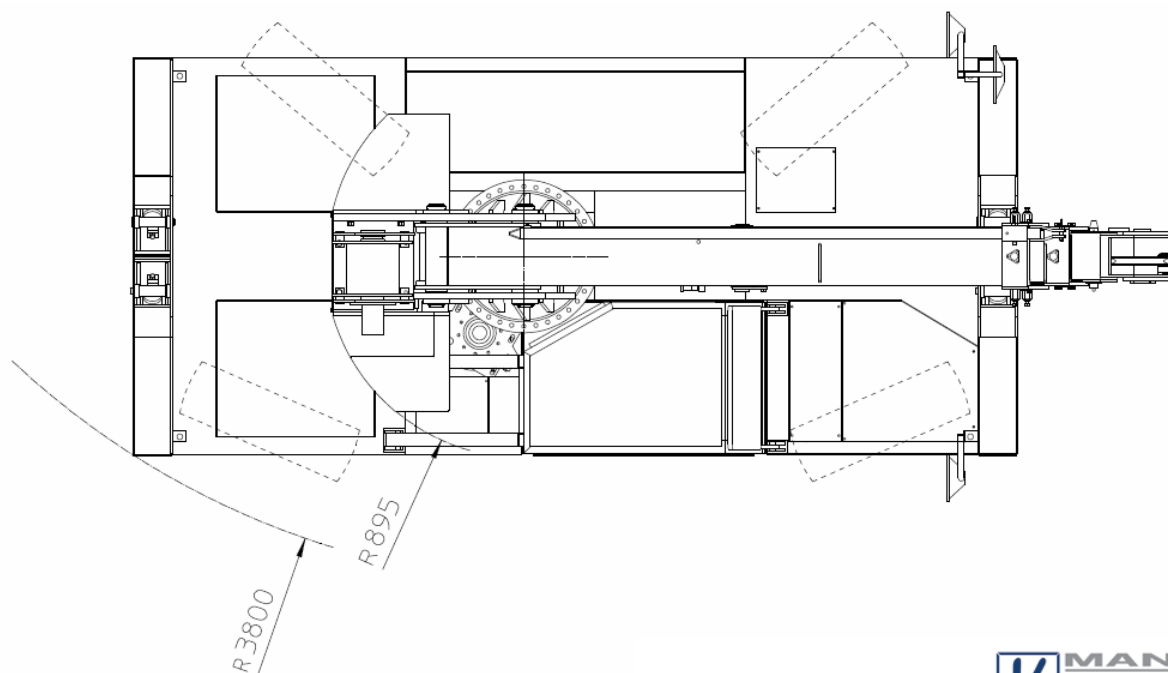
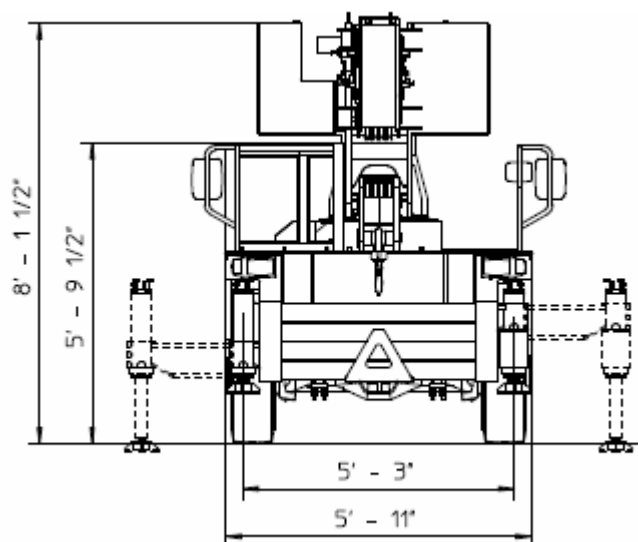
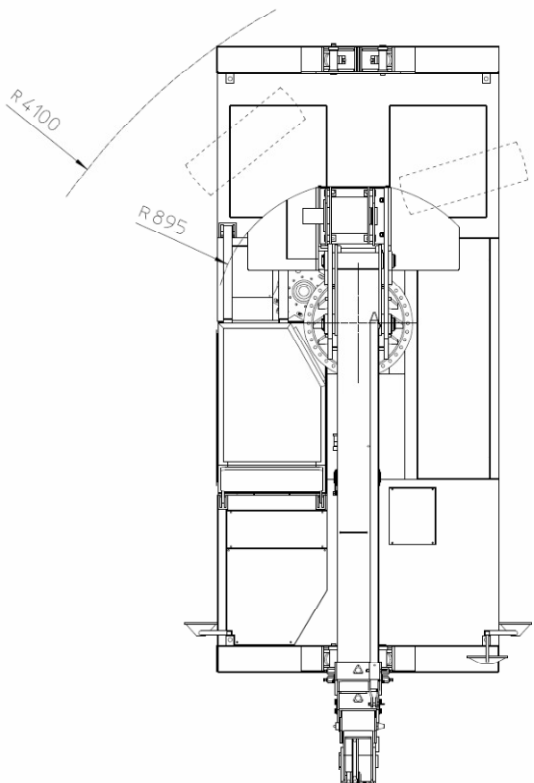


## 1725-22 SD



The VALLA mobile crane mod. 1725-22 SD complies with the following standards:

- 2006/42/CE
- UNIEN13000
- I.S.P.E.S.L.



Valla a division of CVS Ferrari Srl  
 Via Piacenza, 45 - 29010 Calendasco (Piacenza) - ITALIA  
 Tel. +39 0523 762025 / 752004 - Fax +39 0523 760531  
 e-mail: info@valla.com - www.valla.com



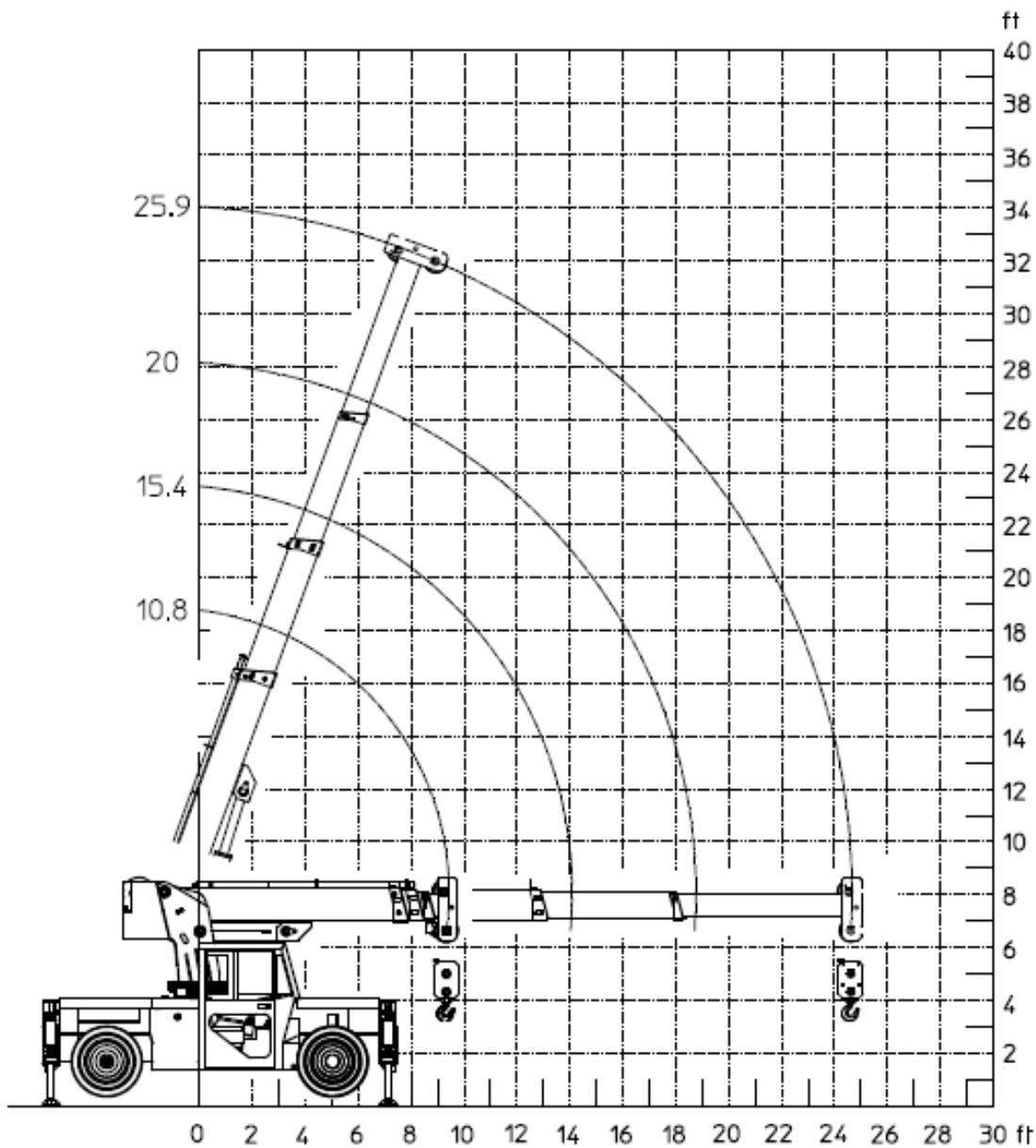
# Valla



## 1725-22 SD



The VALLA mobile crane mod. 1725-22 SD  
 complies with the following standards:  
 -2006/42/CE  
 -UNIEN13000  
 -I.S.P.E.S.L.



Data subject to be changed without any previous notice. Pictures may differ from technical description.



Valla a division of CVS Ferrari Srl  
 Via Piacenza, 45 - 29010 Calendasco (Piacenza) - ITALIA  
 Tel. +39 0523 762025 / 752004 - Fax +39 0523 760531  
 e-mail: [info@valla.com](mailto:info@valla.com) - [www.valla.com](http://www.valla.com)



# Valla

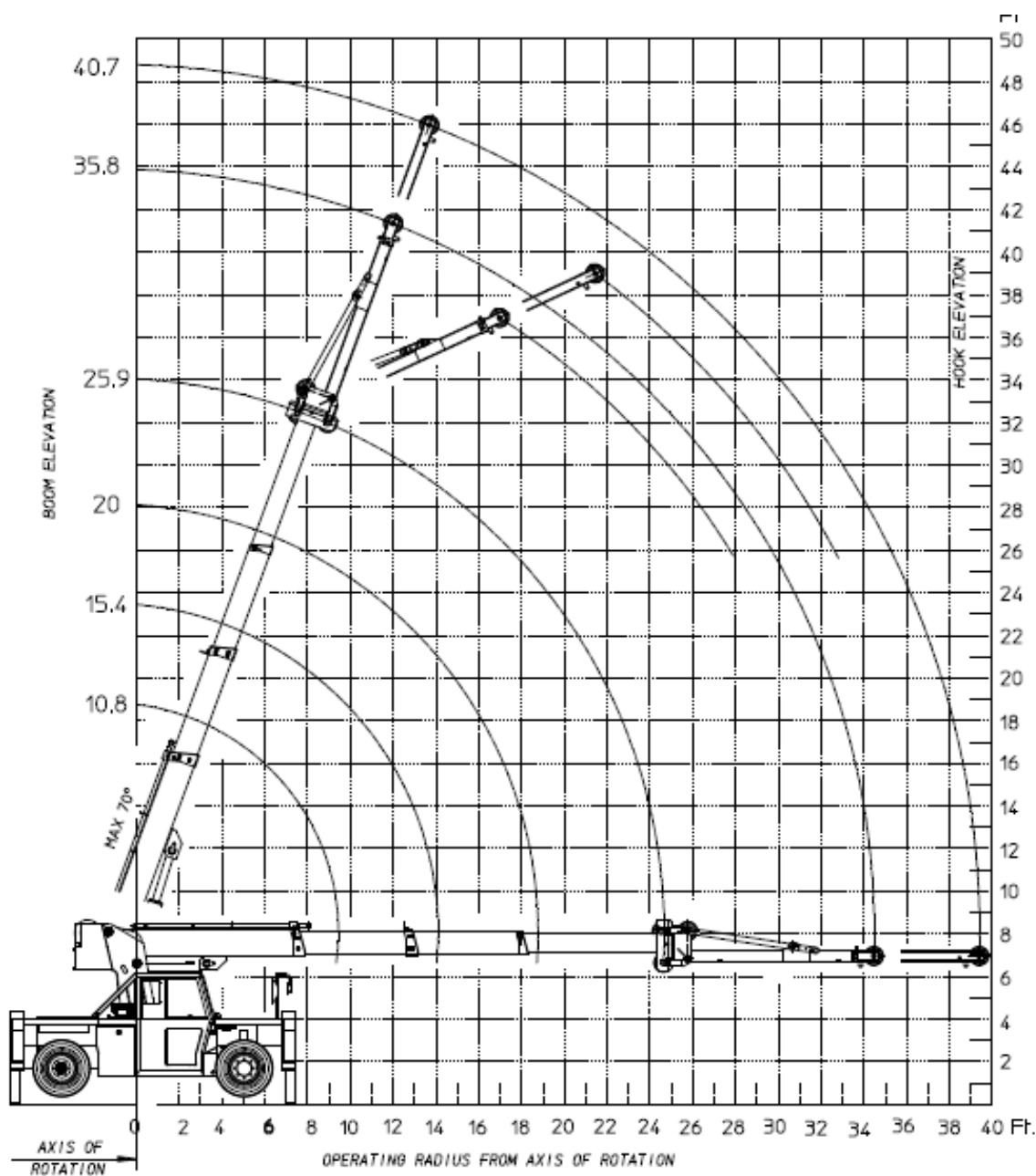


## 1725-22 SD



The VALLA mobile crane mod. 1725-22 SD complies with the following standards:  
 -2006/42/CE  
 -UNIEN13000  
 -I.S.P.E.S.L.

### Jib 0° – 45°



Data subject to be changed without any previous notice. Pictures may differ from technical description.



Valla a division of CVS Ferrari Srl  
 Via Piacenza, 45 - 29010 Calendasco (Piacenza) - ITALIA  
 Tel. +39 0523 762025 / 752004 - Fax +39 0523 760531  
 e-mail: [info@valla.com](mailto:info@valla.com) - [www.valla.com](http://www.valla.com)



# Valla



## 1725-22 SD



The VALLA mobile crane mod. 1725-22 SD complies with the following standards:  
 -2006/42/CE  
 -UNIEN13000  
 -I.S.P.E.S.L.

VALLA MOBILE CRANE 22SE/SD									
LOAD CHART (Lbs.)									
WORKING RADIUS (ft)	ON OUTRIGGERS						ON RUBBERS		
	360° <i>Tab.0</i>	ARC OVER FRONT * <i>Tab.0</i>	WITH JIB 360°				STATIC LOAD OVER FRONT <i>Tab.5</i>	STATIC LOAD 360° <i>Tab.5</i>	PICK AND CARY LOAD UP TO 1.9 mph OVER FRONT <i>Tab.6</i>
			0° CLOSE <i>Tab.1</i>	45° CLOSE <i>Tab.2</i>	0° OPEN <i>Tab.3</i>	45° OPEN <i>Tab.4</i>			
6'2"	22.000	22.000					15.400	6.600	15.400
7'55"	14.000	15.400	5.270				13.650	4.850	13.650
9'35"	11.000	11.900	4.950		3.100		10.800	3.300	10.800
11'6"	8.800	9.700	4.900		2.900		7.300	1.550	7.300
14'1"	6.100	7.700	4.100	3.400	2.550		4.850	1.300	4.850
16'3"	4.800	6.600	3.750	3.100	2.300		4.200	1.100	4.200
18'7"	3.600	5.500	3.400	2.800	2.100	1.850	3.300		3.300
20'7"	3.300	5.100	3.100	2.600	2.000	1.800	2.850		2.850
22'6"	2.700	4.400	2.600	2.400	1.900	1.750	2.200		2.200
24'6"	2.500	4.000	2.250	2.200	1.850	1.700	1.750		1.750
26'2"			1.900	2.000	1.600	1.650			
27'8"			1.700	1.800	1.450	1.550			
29'5"			1.500		1.300	1.350			
31'1"			1.300		1.150	1.100			
32'8"			1.100		1.000	1.000			
34'5"			1.000		850				
36'1"					650				
37'7"					550				
39'4"					440				

- Rated loads above do not exceed 80% of tipping loads on outriggers and 75% on rubber.
- Capacities above bold lines are based only on structural strenght of crane.
- Capacities and performances are for crane on firm, level surfaces.
- Pick and carry operation: boom has to be centered overfront, used in the shortest possible lenght, min radius, lowest angle, load close to the ground. Negotiating grades (max 10%) is only permitted WITHOUT LOAD and limited to short distance and time.
- When needed, outriggers must be fully extended.
- When lifting area is not clearly visible by crane's operator, the presence of a second man is mandatory for signaling.
- Never handle a load in the area above cab.

Data subject to be changed without any previous notice. Pictures may differ from technical description.