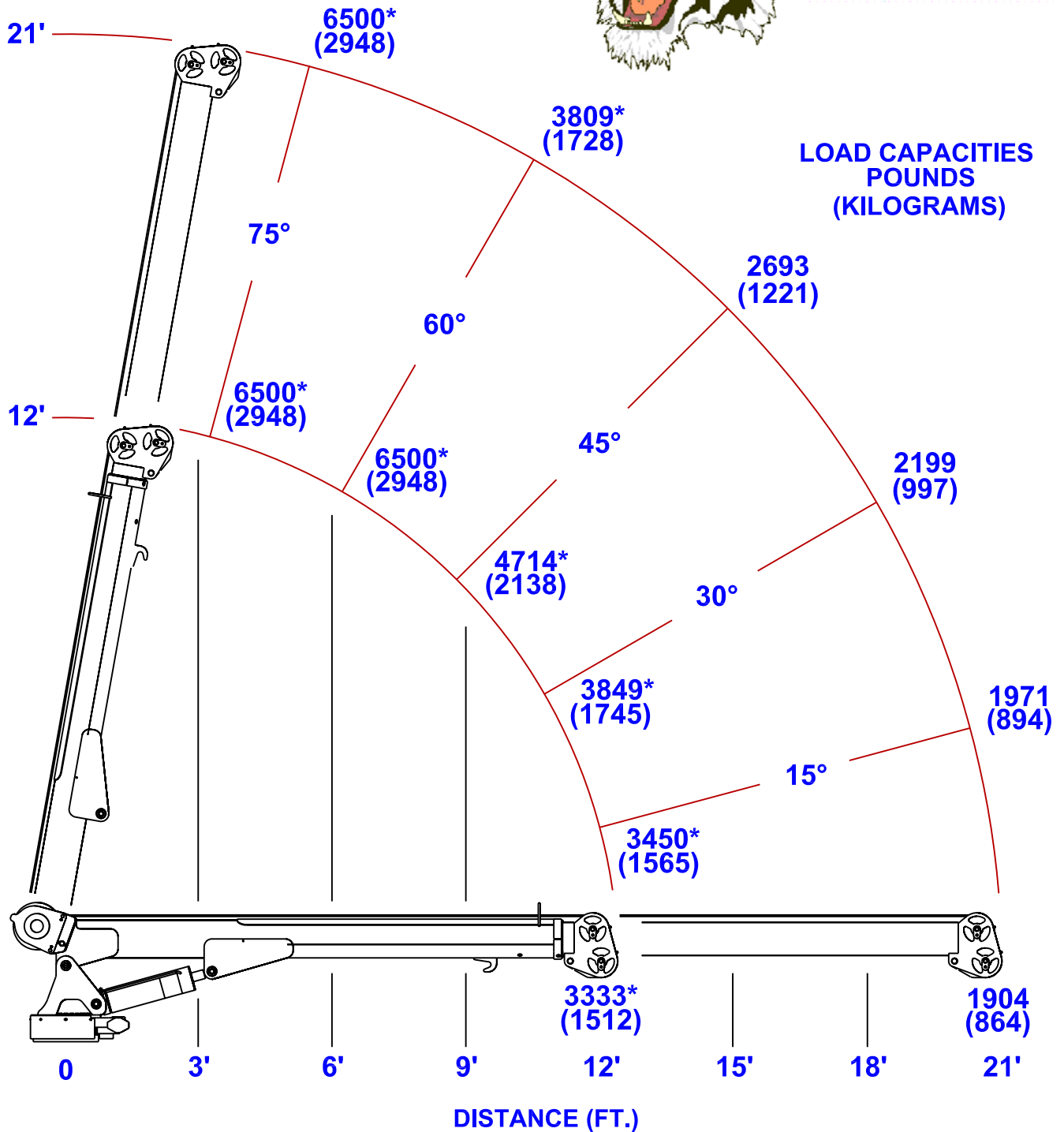




MODEL 6541



TIGER CRANES



* MAXIMUM SINGLE LINE CAPACITY IS
3250 LBS (1474kg) IN THESE OPERATING POSITIONS