



DEMAG CC2500-1 | Crawler Crane 550 ton Lifting Capacity



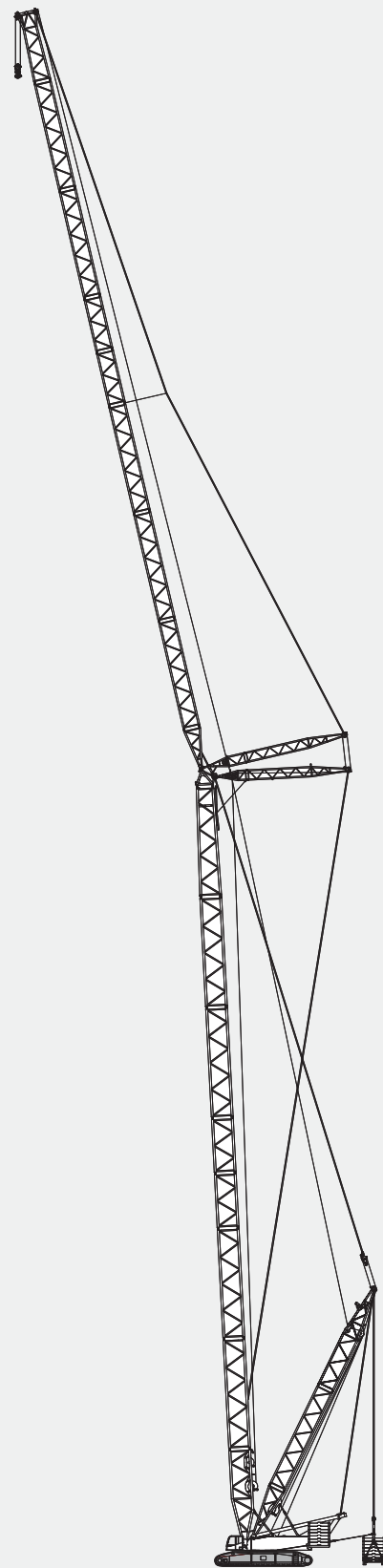
DEMAG CC2500-1
CRAWLER CRANE



HIGHLIGHTS

DEMAG CC2500-1 HIGHLIGHTS

- Exceptional lifting capacities with Superlift attachment
- Maximum load moment 6140 tm (846,576 lb at 52'5" radius)
- Variable Superlift radius
- Variable offset of main boom for configuration SW and SWSL
- Innovative Demag IC-1 crane control system with touchscreen
- Optimized transport weights < 85,981 lb for each component



**CONTENTS**

	Page:	
Specifications		
Specifications	4	1
Superlift configurations	6	
Specifications	7	
Boom combinations	10	
Erection / lowering	12	
Main boom		
Working ranges (SH, SH / LH)	13	2
Lifting capacities (SH, SH / LH)	14	
Working ranges with Superlift (SSL, SSL/LSL)	16	
Lifting capacities with Superlift (SSL, SSL/LSL)	17	
Fixed fly jib		
Working ranges, 10° (SH + LF2, SH/LH + LF2)	20	3
Lifting capacities (SH + LF2, SH/LH + LF2)	21	
Working ranges with Superlift, 10° (SSL + LF2, SSL/LSL + LF2)	30	
Lifting capacities with Superlift (SSL + LF2, SSL/LSL + LF2)	31	
Luffing fly jib		
Working ranges, HA 87° (SW)	41	4
Lifting capacities (SW)	42	
Working ranges, HA 87° (SWSL)	50	
Lifting capacities with Superlift (SWSL)	51	
Fixed fly jib		
Working ranges with Superlift, 17.5° (LFVL)	68	5
Lifting capacities with Superlift (LFVL)	69	
Technical description		
Crawler carrier · Superstructure · Optional equipment	70	6
Boom configurations · Superlift configurations	71	
Transport example for CC 2500-1		
.....	72	7

**SPECIFICATIONS****CARRIER PERFORMANCE**

1 st gear	0-0.43 mph
2 nd gear	0-0.87 mph

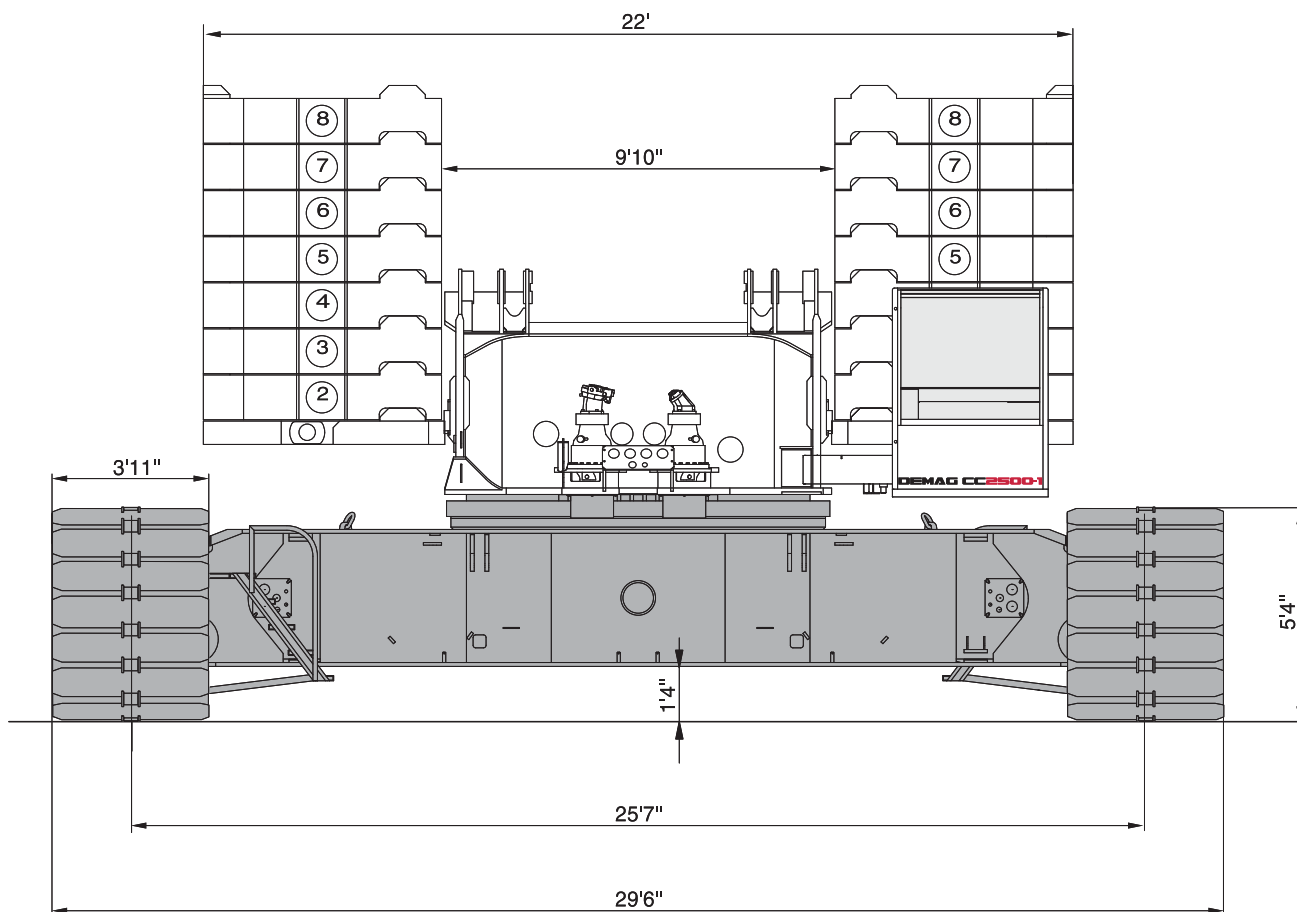
HOOK BLOCKS

Type	Possible load ¹⁾	Number of sheaves	Number of lines	Weight	„D“
2 x 250*	1,102,312 lb	2 x 9	2 x 19	18,740 lb	18'1"
2 x 200*	881,850 lb	2 x 7	2 x 15	14,771 lb	16'5"
2 x 160*	679,024 lb	2 x 5	2 x 11	14,110 lb	15'9"
100	220,463 lb	3	7	7,717 lb	14'1"
50	97,004 lb	1	3	3,748 lb	13'1"
15	33,070 lb	Single line hook	1	1,985 lb	9'11"

* The double hook blocks can be converted into single hook blocks

¹⁾ Varies depending on national regulations

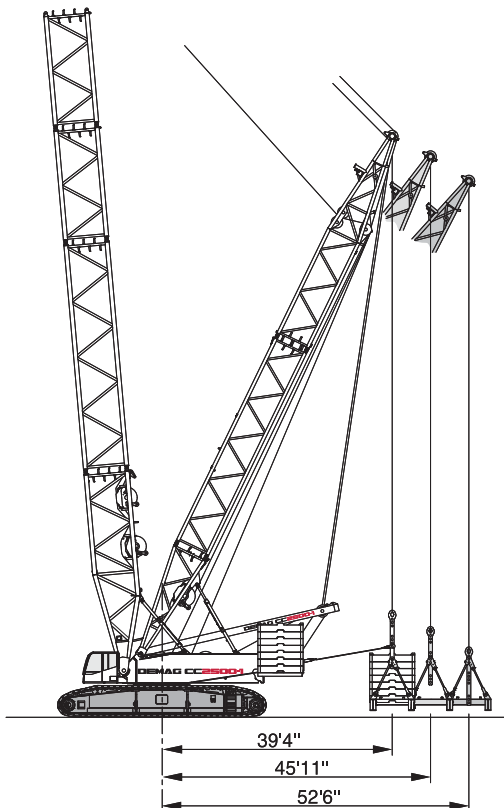
1





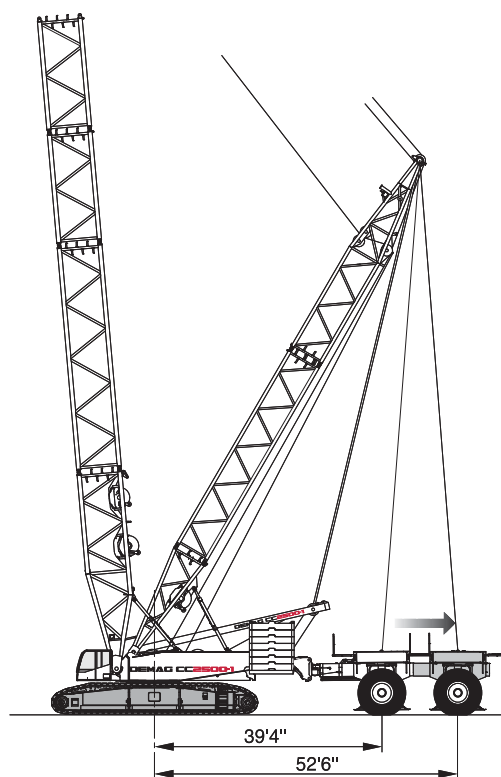
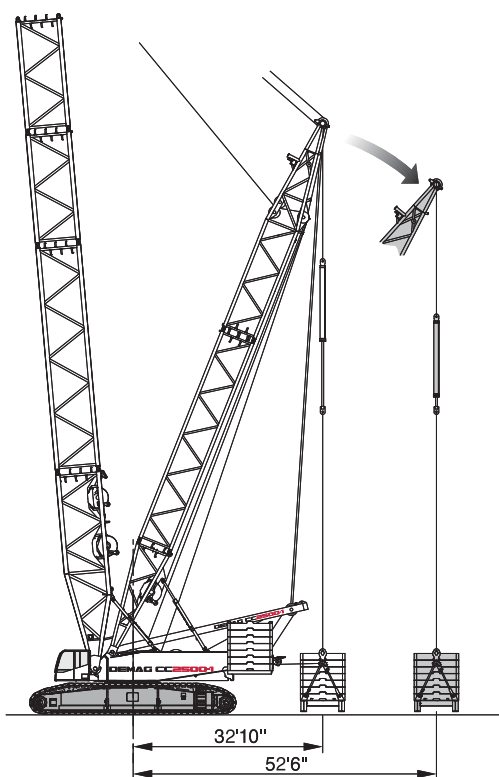
SUPERLIFT CONFIGURATIONS

STANDARD-SL $\leftarrow \triangleleft$ 39'4", 45'11", 52'6"



VARIO-SL $\leftarrow \triangleleft$ 32'10" - 52'6"

TELE-SL $\leftarrow \triangleleft$ 39'4" - 52'6"





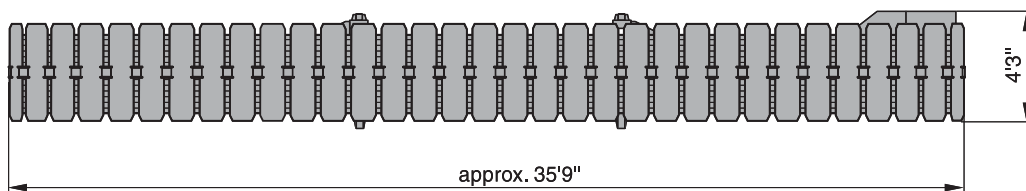
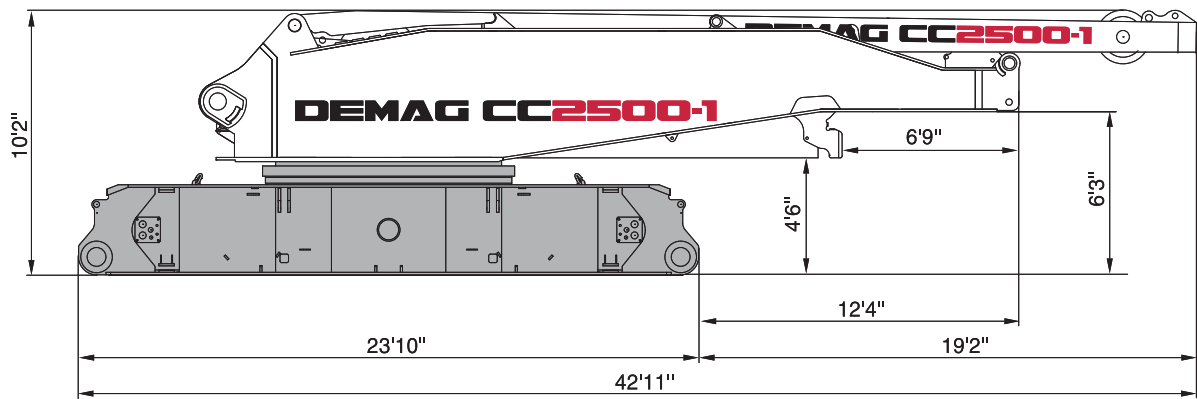
SPECIFICATIONS

WEIGHTS

Total weight incl. counterweight 352,740 lb + 88,185 lb central ballast, 78'9" SH boom and hook block	826,734 lb
Superstructure (with three drums, A-frame, reeving drum)	93,476 lb
Superstructure (without drums H1 / H2, reeving winch) incl. part of quick-connection	78,265 lb
Carbody / Carbody with assembly jacks	39,684 lb / 44,093 lb
Crawlers	2 x 66,139 lb
Counterweight	352,740 lb
Central ballast	88,185 lb

GROUND PRESSURE

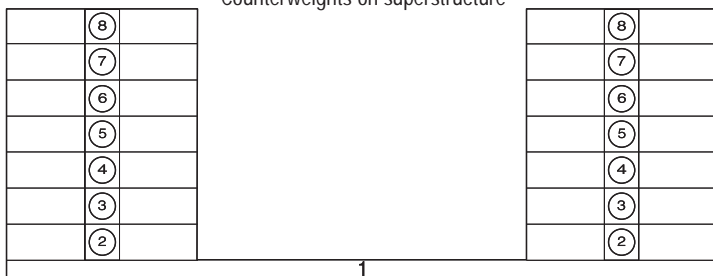
Ground pressure (based on total weight of 826,734 lb)	27.55 psi
---	-----------



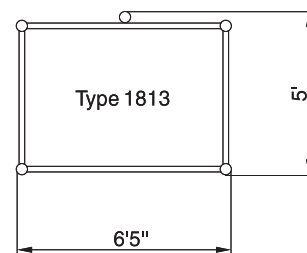
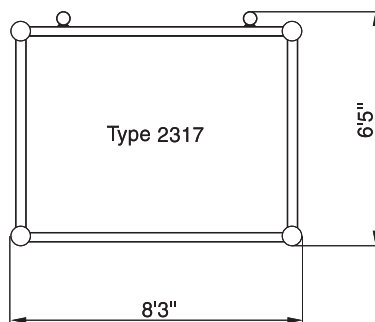
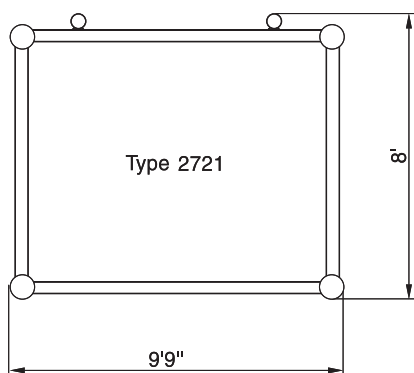
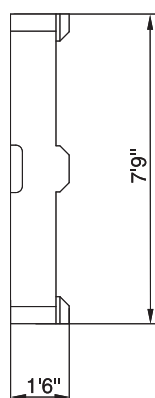
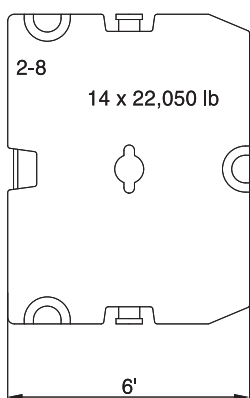
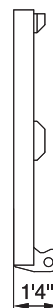
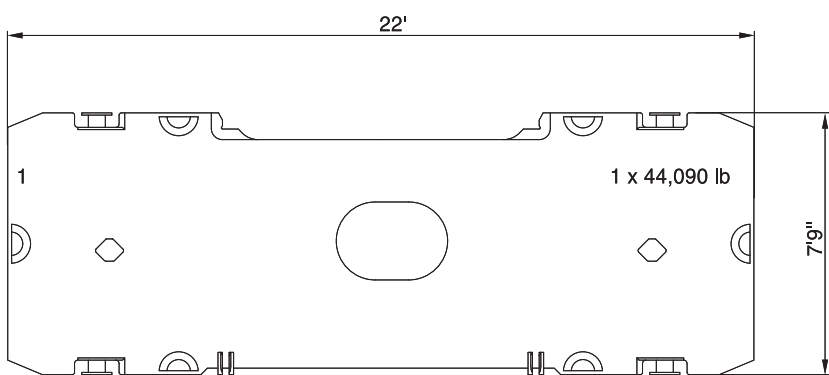
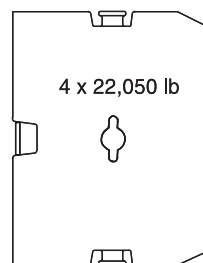


SPECIFICATIONS

Counterweights on superstructure



Central ballast (ZB)





KEY



Track



Counterweight + central ballast (ZB)



Superlift counterweight



Superlift radius



Load radius



Main boom



Fly jib

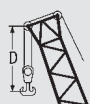


Main boom angle



Fly jib angle

„D“



S: heavy

L: light

H: Main boom

W: Luffing fly jib

F: Fixed fly jib

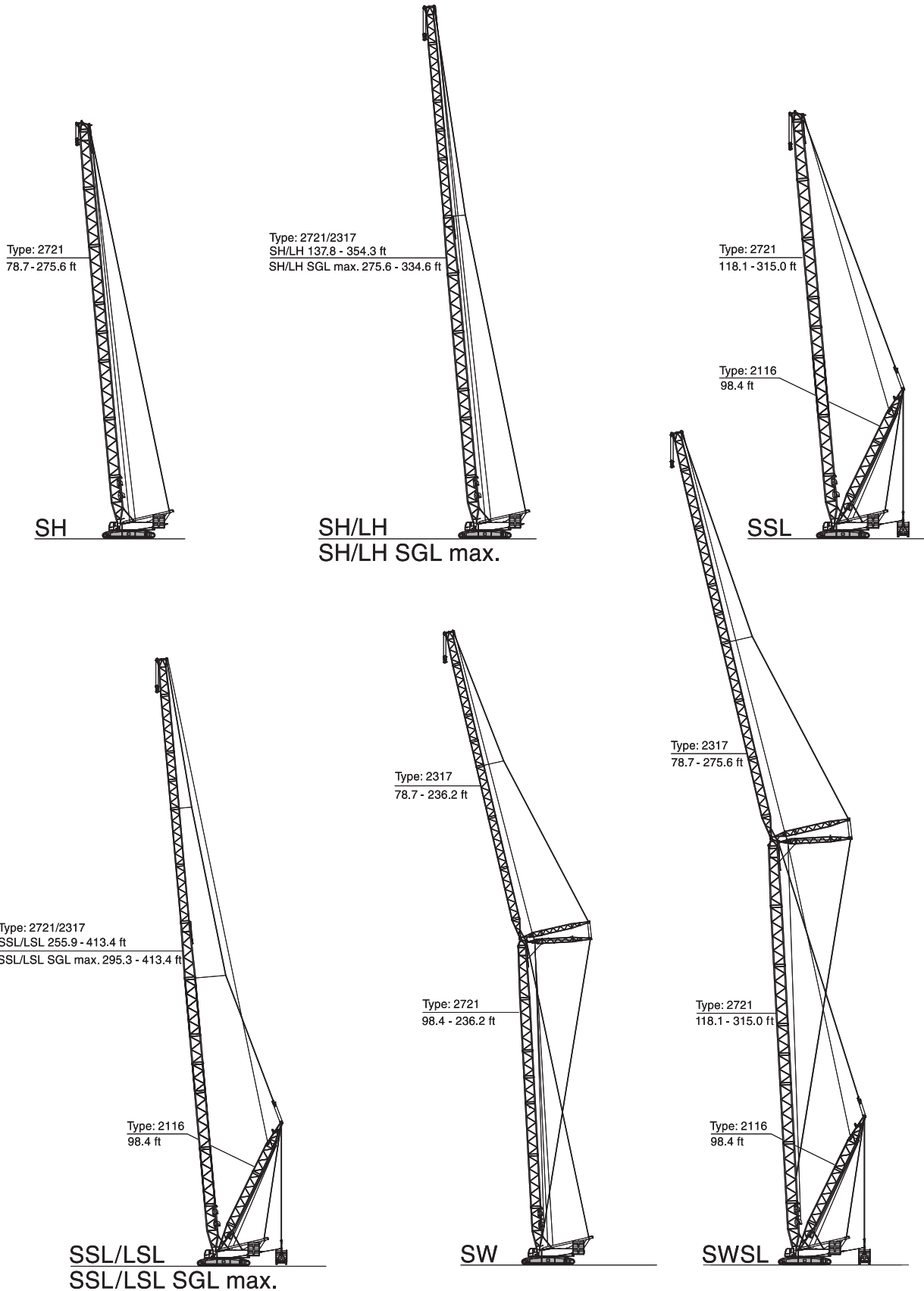
SL: Superlift

SGL: Heavy base length



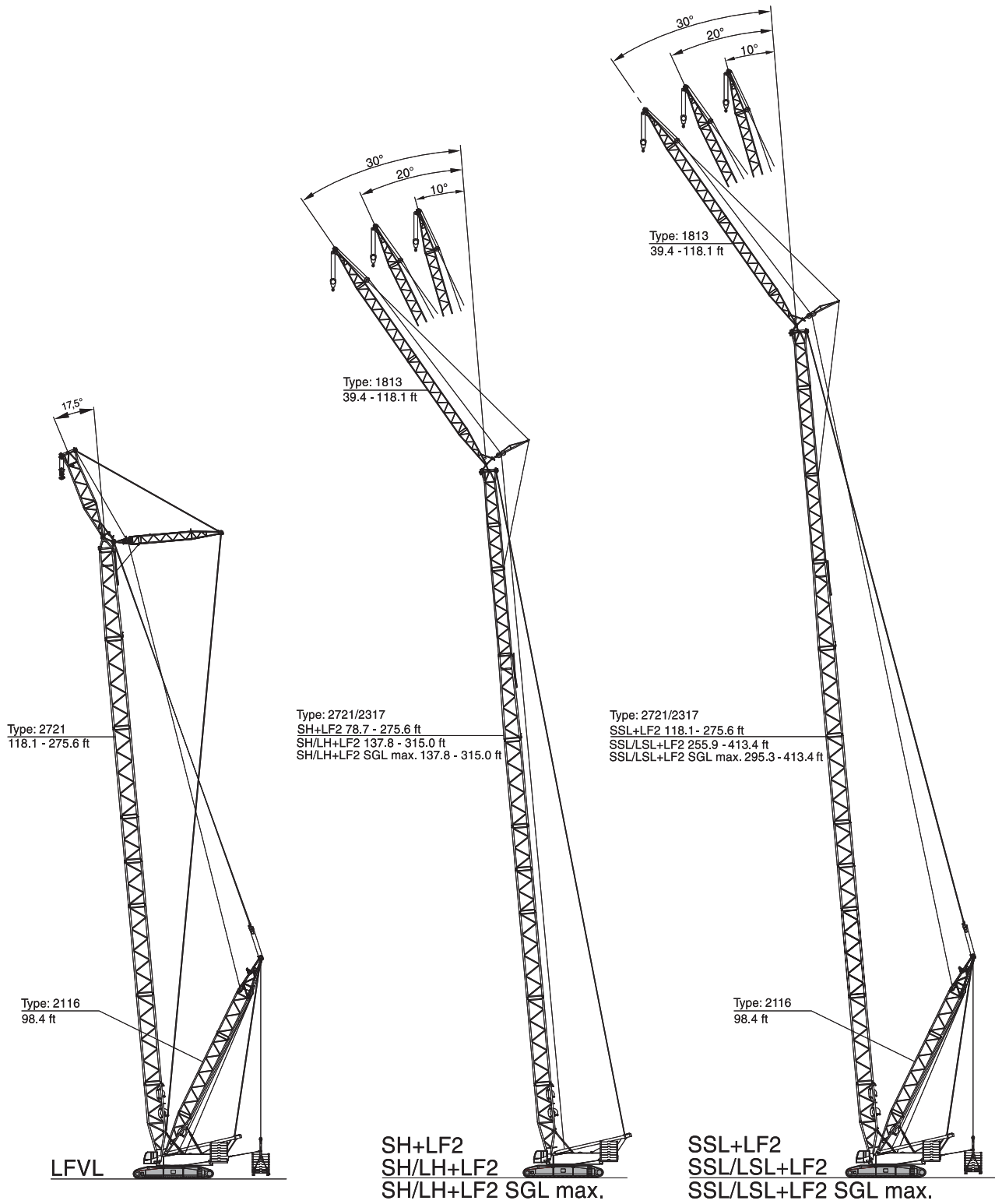


BOOM COMBINATIONS





BOOM COMBINATIONS





ERECTION / LOWERING OF THE CC 2500-1 BOOM SYSTEMS TO THE GROUND																				
Boom combination	Fly jib (ft)	Main boom																		
		ft	78.7	98.4	118.1	137.8	157.5	177.2	196.9	216.5	236.2	255.9	275.6	295.3	315.0	334.6	354.3	374.0	393.7	413.4
SH			X	X	X	X	X	X	X	X	(X)	O	-	-	-	-	-	-	-	-
SH/LH			-	-	-	X	X	X	X	X	X	X	X	[X]	[X]	O	-	-	-	-
SH/LH SGLmax.			-	-	-	X	X	X	X	X	(X)	[X]	[X]	O	O	-	-	-	-	-
SW 85°	78.7		-	X	X	X	X	[X]	[X]	[X]	O	-	-	-	-	-	-	-	-	-
	98.4		-	X	X	X	X	[X]	[X]	[X]	O	-	-	-	-	-	-	-	-	-
	118.1		-	X	X	X	X	(X)	[X]	[X]	O	-	-	-	-	-	-	-	-	-
	137.8		-	X	X	X	X	X	[X]	[X]	O	-	-	-	-	-	-	-	-	-
	157.5		-	X	X	X	X	X	[X]	[X]	O	-	-	-	-	-	-	-	-	-
	177.2		-	X	X	X	X	X	[X]	[X]	O	-	-	-	-	-	-	-	-	-
	196.9		-	X	X	X	X	X	[X]	O	O	-	-	-	-	-	-	-	-	-
	236.2		-	X	X	X	X	(X)	[X]	O	O	-	-	-	-	-	-	-	-	-
SH+LF2	39.4		X	X	X	X	X	X	X	[X]	[X]	O	-	-	-	-	-	-	-	
SH/LH+LF2	39.4		-	-	-	X	X	X	X	X	[X]	[X]	[X]	O	-	-	-	-	-	
SH/LH SGLmax.+LF2	39.4		-	-	-	X	X	X	X	[X]	[X]	[X]	O	O	-	-	-	-	-	
SSL			-	-	0	0	0	0	0	0	5	15	-	-	-	-	-	-	-	
SSL/LSL			-	-	-	-	-	-	-	-	0	0	10	20	30	40	55	65	80	
SSL/LSL SGLmax.			-	-	-	-	-	-	-	-	-	-	15	30	45	60	75	95	115	
SSL+LF2	39.4		-	-	0	0	0	0	0	5	15	30	-	-	-	-	-	-	-	
SSL/LSL+LF2	39.4		-	-	-	-	-	-	-	-	15	25	35	50	65	80	80	95	110	
SSL/LSL SGLmax.+LF2	39.4		-	-	-	-	-	-	-	-	-	-	50	60	80	95	115	140	160	
LFVL	39.4		-	-	0	0	0	10	25	50	70	90	-	-	-	-	-	-	-	
SWSL	78.7		-	-	0	0	0	20	40	65	80	105	-	-	-	-	-	-	-	
	98.4		-	-	0	0	0	20	45	65	85	110	-	-	-	-	-	-	-	
	118.1		-	-	0	0	0	20	40	65	90	110	-	-	-	-	-	-	-	
	137.8		-	-	0	0	0	15	40	65	85	115	-	-	-	-	-	-	-	
	157.5		-	-	0	0	0	10	35	60	85	105	-	-	-	-	-	-	-	
	177.2		-	-	0	0	0	5	25	50	75	100	-	-	-	-	-	-	-	
	196.9		-	-	0	0	0	10	25	45	65	95	-	-	-	-	-	-	-	
	216.5		-	-	0	0	0	10	30	45	65	90	-	-	-	-	-	-	-	
	236.2		-	-	0	0	0	15	30	50	70	90	-	-	-	-	-	-	-	
	255.9		-	-	0	0	0	15	35	55	70	95	-	-	-	-	-	-	-	
275.6		-	-	0	0	0	20	40	55	75	100	-	-	-	-	-	-	-		

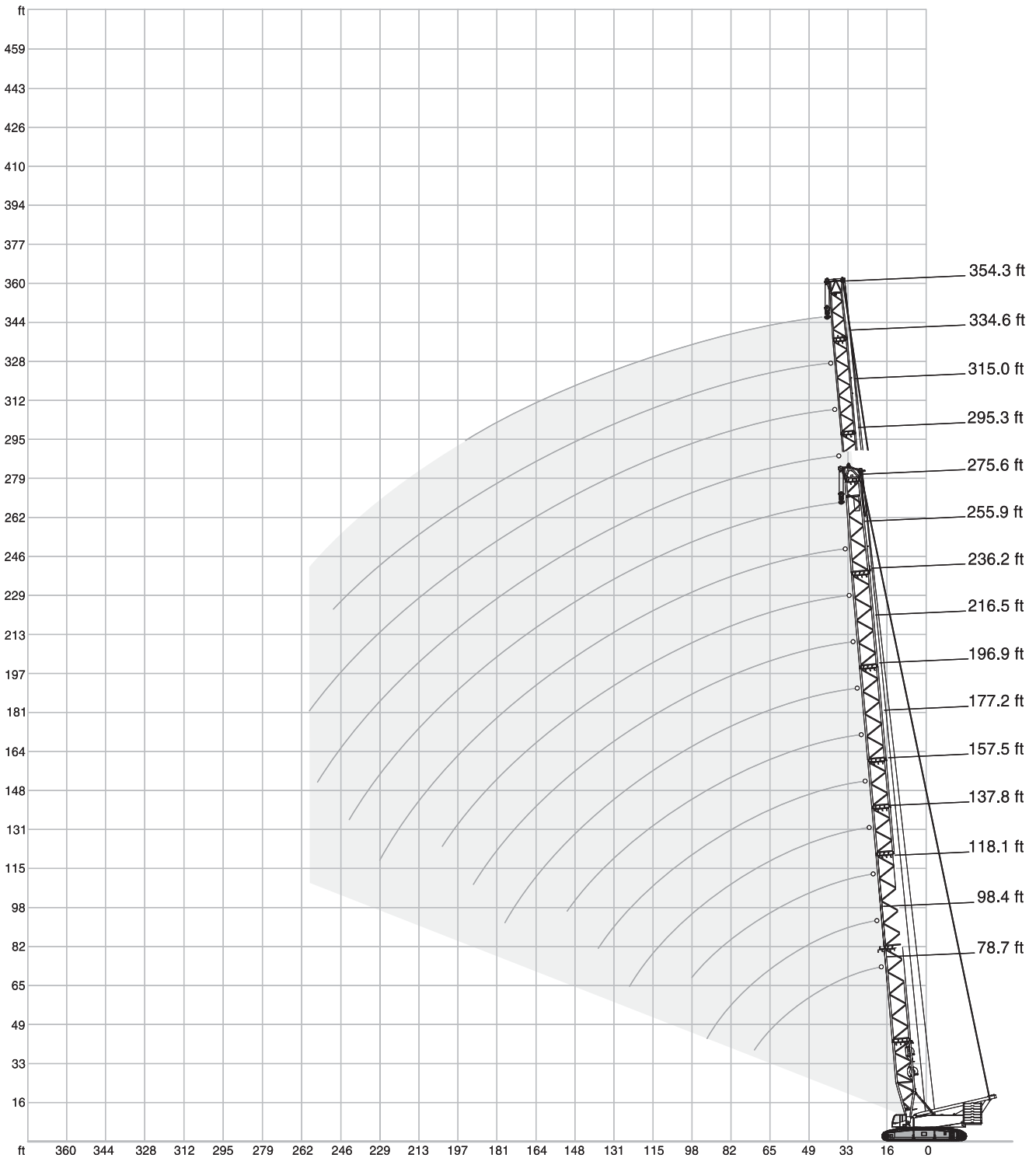
Remarks

- X without assisting equipment
- (X) idler wheel supported
- [X] with additional side jack
- O with assist crane

All Superlift combinations can be erected or lowered to the ground without assisting equipment. The stated numbers represent the necessary SL-counterweight in [t].



SH, SH/LH



**SH**

25'7"

360°

ISO

ft	78.7 ft		98.4 ft		118.1 ft		137.8 ft		157.5 ft	
	352.7klb+ 88.2klb ZB	264.6klb	352.7klb+ 88.2klb ZB	264.6klb	352.7klb+ 88.2klb ZB	264.6klb	352.7klb+ 88.2klb ZB	264.6klb	352.7klb+ 88.2klb ZB	264.6klb
	1,000 lb									
18.0	756.2	586.4	-	-	-	-	-	-	-	-
19.7	734.1	573.2	798.1	634.9	-	-	-	-	-	-
23.0	698.9	551.2	758.4	610.7	817.9	672.4	881.8	731.9	-	-
26.2	668.0	531.3	725.3	590.8	784.8	650.4	806.9	648.2	804.7	648.2
29.5	641.5	515.9	698.9	515.9	709.9	513.7	705.5	511.5	701.1	509.3
32.8	593.0	426.6	590.8	424.4	588.6	422.2	586.4	420.0	584.2	417.8
39.4	438.7	313.1	435.4	310.9	433.2	307.5	429.9	305.3	427.7	303.1
45.9	345.0	245.8	342.8	242.5	339.5	240.3	336.2	237.0	334.0	234.8
52.5	283.3	200.8	281.1	198.0	277.8	194.9	274.5	192.0	272.3	189.6
59.1	239.2	168.9	237.0	165.8	233.7	162.7	230.4	159.6	228.2	157.2
65.6	207.5	145.1	204.1	141.8	201.1	138.7	197.8	135.6	195.1	132.9
72.2	182.1	126.8	178.6	123.2	175.5	120.2	172.2	116.8	169.5	114.2
78.7	-	-	158.5	108.7	155.0	105.2	151.7	101.9	149.0	99.2
85.3	-	-	142.0	96.8	138.5	93.3	134.9	89.9	132.3	87.1
91.9	-	-	128.5	87.1	124.8	83.3	121.3	79.8	118.4	76.9
98.4	-	-	-	-	113.3	75.2	109.6	71.4	106.7	68.6
111.5	-	-	-	-	-	-	91.5	58.4	88.2	54.9
124.7	-	-	-	-	-	-	78.0	48.7	74.5	44.3
137.8	-	-	-	-	-	-	-	-	63.9	36.6

ft	177.2 ft		196.9 ft		216.5 ft		236.2 ft		275.6 ft	
	352.7klb+ 88.2klb ZB	264.6klb	352.7klb+ 88.2klb ZB	264.6klb	352.7klb+ 88.2klb ZB	264.6klb	352.7klb+ 88.2klb ZB	264.6klb	352.7klb+ 88.2klb ZB	264.6klb
	1,000 lb									
26.2	694.5	637.1	-	-	-	-	-	-	-	-
29.5	694.5	509.3	584.2	504.9	-	-	-	-	-	-
32.8	582.0	416.7	582.0	415.6	513.7	414.5	424.4	405.7	-	-
36.1	504.3	359.4	503.8	358.3	469.0	357.1	424.4	348.3	308.6	308.6
39.4	426.6	302.0	425.5	300.9	424.4	299.8	416.7	298.7	308.6	289.9
45.9	332.9	233.7	331.8	232.6	330.7	231.5	329.6	230.4	303.1	227.1
52.5	271.2	188.3	270.1	187.0	269.0	185.6	267.9	184.7	265.7	182.3
59.1	227.1	155.9	224.9	154.3	223.8	153.0	222.7	152.1	220.5	149.7
65.6	193.8	131.6	192.2	130.1	190.9	128.8	189.8	127.6	187.4	125.0
72.2	168.0	112.7	166.4	111.1	165.1	109.8	164.0	108.7	161.4	106.0
78.7	147.5	97.7	145.7	96.1	144.4	94.6	143.3	93.5	140.4	90.8
85.3	130.7	85.5	129.0	83.8	127.4	82.2	126.3	81.1	123.5	78.3
91.9	116.8	75.4	115.1	73.4	113.5	72.1	112.2	70.8	109.3	67.2
98.4	105.2	66.8	103.2	64.8	101.6	63.1	100.3	61.5	97.4	58.0
111.5	86.4	52.7	84.4	50.3	82.7	48.3	81.4	46.7	78.3	43.2
124.7	72.3	41.9	70.1	39.5	68.3	37.3	66.8	35.5	63.1	32.0
137.8	61.5	33.7	58.9	30.9	56.4	28.7	54.7	26.9	50.9	22.9
150.9	52.7	27.3	49.6	24.3	47.2	21.8	45.0	19.8	41.0	15.9
160.8	-	-	44.0	20.4	41.4	17.7	39.2	15.7	35.1	-
164.0	-	-	42.1	19.2	39.5	16.3	37.3	-	33.1	-
173.9	-	-	37.6	16.1	34.7	-	32.5	-	28.1	-
177.2	-	-	36.2	-	33.1	-	30.9	-	26.5	-
190.3	-	-	-	-	28.0	-	25.4	-	20.9	-
203.4	-	-	-	-	-	-	20.9	-	16.1	-
216.5	-	-	-	-	-	-	-	-	-	-

Remarks (page 15)

For SH/LH SGLmax. a boom power-kit is required

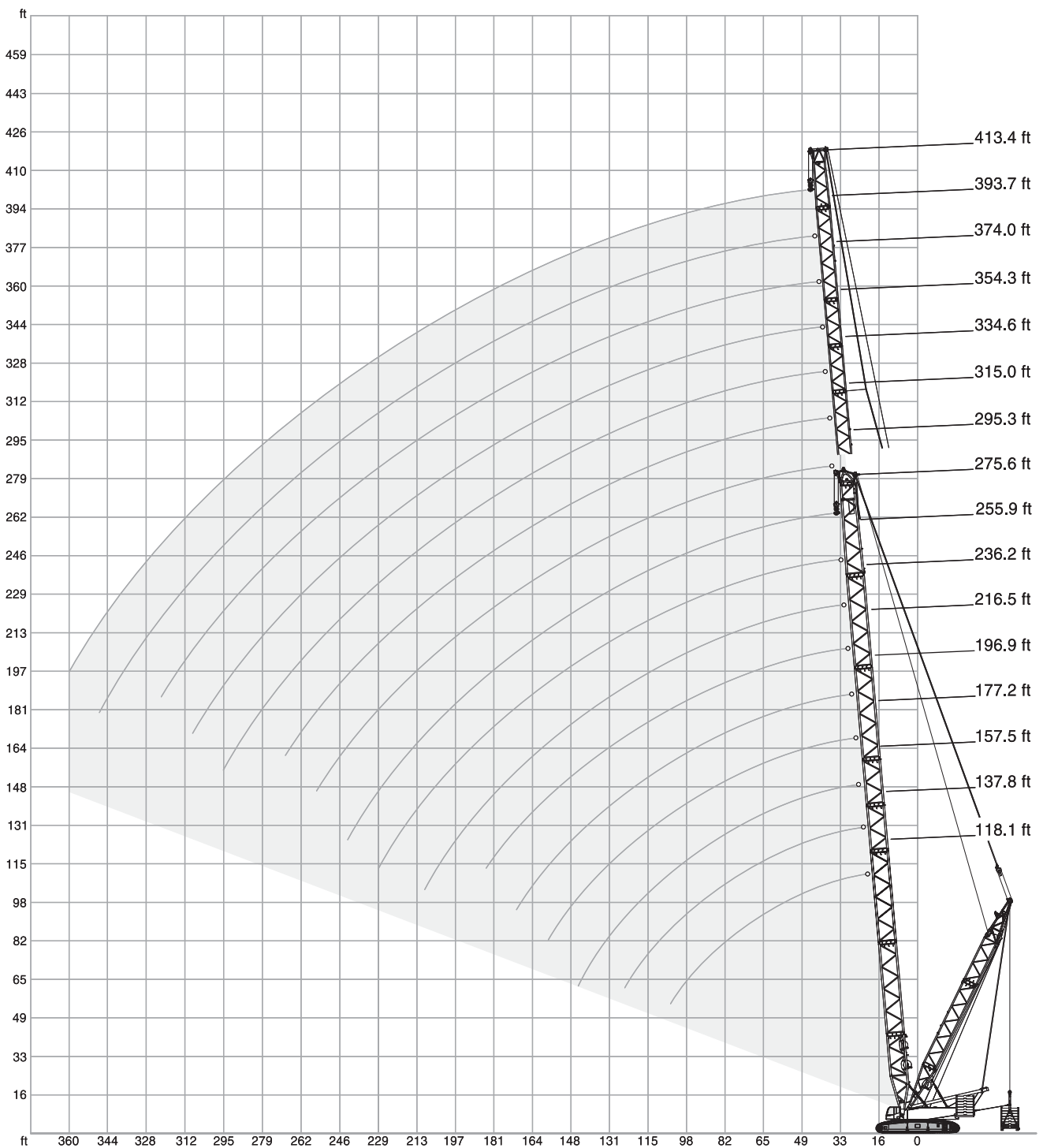
**SH/LH**25'7" 360° ISO

ft	137.8 ft		157.5 ft		177.2 ft		196.9 ft		216.5 ft		236.2 ft		255.9 ft	
	SH/LH	SH/LH	SH/LH	SH/LH	SH/LH	SH/LH	SH/LH	SH/LH	SH/LH	SH/LH	SH/LH	SH/LH	SH/LH	
	352.7klb+ 88.2klb ZB	264.6klb	352.7klb+ 88.2klb ZB	264.6klb	352.7klb+ 88.2klb ZB	264.6klb	352.7klb+ 88.2klb ZB	264.6klb	352.7klb+ 88.2klb ZB	264.6klb	352.7klb+ 88.2klb ZB	264.6klb	352.7klb+ 88.2klb ZB	264.6klb
	1,000 lb													
23.0	496.0	496.0	-	-	-	-	-	-	-	-	-	-	-	-
26.2	496.0	496.0	496.0	496.0	496.0	496.0	496.0	496.0	496.0	496.0	496.0	496.0	496.0	496.0
29.5	496.0	496.0	496.0	496.0	496.0	496.0	496.0	496.0	496.0	496.0	496.0	496.0	496.0	496.0
32.8	496.0	428.8	496.0	427.7	482.8	426.6	471.8	424.4	383.6	383.6	340.6	340.6	297.6	297.6
39.4	439.8	314.2	437.6	313.1	428.8	312.0	411.2	309.7	348.3	308.6	330.7	307.5	288.8	288.8
45.9	346.1	245.8	343.9	243.6	342.8	243.6	340.6	240.3	314.2	240.3	308.6	239.2	271.2	238.1
52.5	283.3	201.1	281.1	198.9	281.1	198.0	277.8	195.6	277.8	194.9	275.6	193.3	252.4	192.7
59.1	239.2	168.7	237.0	166.4	235.9	165.3	233.7	162.9	232.6	162.3	231.5	160.7	230.4	159.8
65.6	206.6	144.4	204.4	142.2	203.3	141.1	200.8	138.5	200.2	137.8	198.4	136.2	197.5	135.4
72.2	181.0	125.7	178.6	123.2	177.5	122.1	174.8	119.5	174.2	118.8	172.4	117.1	171.5	116.2
78.7	160.5	110.7	158.1	108.2	156.7	106.9	154.1	104.3	153.4	103.6	151.7	101.9	150.8	101.0
85.3	143.7	98.3	141.3	95.9	140.0	94.6	137.3	91.9	136.5	91.3	134.7	89.5	133.8	88.6
91.9	129.9	88.2	127.2	85.8	125.9	84.4	123.2	81.8	122.6	80.9	120.6	79.1	119.7	78.3
98.4	118.2	79.8	115.5	77.2	114.2	75.8	111.3	73.2	110.7	72.3	108.7	70.5	107.8	69.4
111.5	99.6	66.4	96.8	63.7	95.2	62.2	92.6	59.3	91.7	58.4	89.7	56.4	88.6	55.3
124.7	85.8	56.4	82.7	53.6	81.1	51.8	78.3	48.7	77.2	47.6	75.2	45.2	74.3	44.1
137.8	-	-	71.9	45.6	69.9	43.7	67.0	40.1	65.9	39.0	63.9	36.6	62.8	35.3
150.9	-	-	-	-	61.3	37.0	58.2	33.5	56.9	32.0	54.7	29.5	53.4	28.2
164.0	-	-	-	-	-	-	50.9	28.0	49.4	26.5	46.7	23.8	45.4	22.3
177.2	-	-	-	-	-	-	45.0	23.8	43.2	22.0	40.3	19.2	38.8	17.6
190.3	-	-	-	-	-	-	-	-	37.9	18.3	34.8	15.2	33.3	13.7
203.4	-	-	-	-	-	-	-	-	-	-	30.4	12.1	28.4	10.4
216.5	-	-	-	-	-	-	-	-	-	-	-	-	24.5	7.5
226.4	-	-	-	-	-	-	-	-	-	-	-	-	22.0	5.7

ft	275.6 ft		295.3 ft		315.0 ft		334.6 ft		354.3 ft	
	SH/LH SGLmax.	SH/LH	SH/LH SGLmax.	SH/LH	SH/LH SGLmax.	SH/LH	SH/LH SGLmax.	SH/LH	SH/LH SGLmax.	SH/LH
	352.7klb+ 88.2klb ZB	264.6klb	352.7klb+ 88.2klb ZB	264.6klb	352.7klb+ 88.2klb ZB	264.6klb	352.7klb+ 88.2klb ZB	264.6klb	352.7klb+ 88.2klb ZB	264.6klb
	1,000 lb									
36.1	312.0	246.9	246.9	272.3	217.2	217.2	-	-	-	-
39.4	312.0	246.9	246.9	272.3	217.2	217.2	238.1	190.7	190.7	209.9
42.7	305.9	243.1	242.0	267.9	214.1	214.1	238.1	190.7	190.7	209.9
45.9	299.8	239.2	237.0	263.5	211.0	211.0	238.1	188.1	188.1	209.9
52.5	270.1	231.5	191.6	244.7	204.6	190.9	224.9	182.5	182.5	204.4
59.1	224.9	223.8	159.0	222.7	198.4	158.3	211.2	177.0	157.0	192.9
65.6	192.2	196.7	134.3	189.8	192.0	133.8	189.8	171.5	133.6	181.7
72.2	166.2	170.4	115.1	163.8	170.0	114.6	163.6	163.6	114.4	162.5
78.7	145.3	149.7	99.9	143.1	149.0	99.2	142.6	149.0	99.2	141.5
85.3	128.3	132.7	87.5	125.9	132.1	86.9	125.7	131.8	86.6	124.6
91.9	114.2	118.6	77.2	111.8	117.9	76.5	111.3	117.7	76.3	110.2
98.4	102.3	106.5	68.3	99.6	106.0	67.7	99.4	105.6	67.5	98.1
111.5	83.1	87.5	53.8	80.7	86.9	53.1	80.2	86.4	52.7	78.9
124.7	68.6	73.0	42.5	65.5	72.3	41.7	65.0	71.9	41.2	63.5
137.8	56.2	61.5	33.5	53.4	60.6	32.8	52.7	60.2	32.2	51.1
150.9	46.5	51.6	26.5	43.4	50.7	25.6	42.8	50.3	24.9	41.2
164.0	38.4	43.7	20.7	35.5	42.8	19.6	34.6	42.1	19.0	32.8
177.2	31.7	37.0	15.9	28.7	35.9	14.8	27.8	35.3	14.1	26.0
190.3	26.0	31.3	11.7	22.9	30.4	10.8	22.0	29.5	9.9	20.3
193.6	24.9	30.1	10.9	21.7	29.1	9.9	20.8	28.2	9.0	-
200.1	22.5	27.7	9.2	19.3	26.7	8.2	18.2	25.7	7.3	-
203.4	21.4	26.5	8.4	18.1	25.6	7.3	17.0	24.5	6.4	-
206.7	20.3	25.5	7.6	17.1	24.5	6.6	15.9	23.4	5.5	-
210.0	19.3	24.5	6.9	16.1	23.5	5.7	14.9	22.4	-	-
213.3	18.2	23.5	6.2	15.1	22.4	-	13.8	21.3	-	-
216.5	17.2	22.5	-	14.1	21.4	-	12.8	20.3	-	-
229.7	13.7	19.0	-	10.4	17.9	-	9.0	16.5	-	-
242.8	10.8	15.9	-	7.3	14.8	-	6.0	13.4	-	-
249.3	-	-	-	6.0	13.4	-	-	11.9	-	-
255.9	-	-	-	-	12.1	-	-	8.6	-	-



SSL, SSL/LSL



**SSL**

		352,700 lb + 88,200 lb ZB				25'7"				360°				ISO	
ft	0 lb	118.1 ft		137.8 ft		157.5 ft		177.2 ft		196.9 ft					
		0-551 klb	0 lb	0-551 klb	0 lb	0-551 klb	0 lb	0-551 klb	0 lb	0-551 klb	0 lb	0-551 klb			
		29.5 ft	32.8-52.5 ft	29.5 ft	32.8-52.5 ft	29.5 ft	32.8-52.5 ft	29.5 ft	32.8-52.5 ft	29.5 ft	32.8-52.5 ft	29.5 ft	32.8-52.5 ft		
1,000 lb															
23.0	965.6	1102.3	941.4	992.1	-	-	-	-	-	-	-	-	-	-	-
26.2	828.9	1102.3	824.5	992.1	820.1	912.7	749.6	802.5	-	-	-	-	-	-	-
29.5	723.1	1102.3	718.7	992.1	716.5	912.7	714.3	802.5	654.8	683.4	-	-	-	-	-
32.8	626.1	1100.1	626.1	992.1	623.9	912.7	623.9	802.5	621.7	683.4	-	-	-	-	-
39.4	463.0	1091.3	460.8	992.1	458.6	910.5	456.4	802.5	456.4	683.4	-	-	-	-	-
45.9	363.8	965.6	361.6	961.2	359.4	910.5	358.3	802.5	356.0	683.4	-	-	-	-	-
52.5	298.7	846.6	295.4	842.2	293.2	837.8	291.0	798.1	289.9	683.4	-	-	-	-	-
59.1	251.3	751.8	248.0	747.4	245.8	743.0	244.7	740.8	242.5	683.4	-	-	-	-	-
65.6	216.5	659.2	213.4	672.4	210.8	668.0	209.4	665.8	207.9	663.6	-	-	-	-	-
72.2	189.4	575.4	186.1	608.5	183.4	604.1	182.1	601.9	180.6	599.7	-	-	-	-	-
78.7	167.8	513.7	164.5	546.7	161.6	549.0	160.3	546.7	158.5	544.5	-	-	-	-	-
85.3	150.1	456.4	146.8	485.0	144.0	500.4	142.4	498.2	140.7	498.2	-	-	-	-	-
91.9	135.6	403.4	132.1	434.3	129.2	458.6	127.6	456.4	125.7	456.4	-	-	-	-	-
98.4	123.5	363.8	119.7	394.6	116.6	416.7	115.1	424.4	113.1	421.1	-	-	-	-	-
105.0	113.1	326.3	109.3	360.5	106.3	378.1	104.5	393.5	102.5	392.4	-	-	-	-	-
111.5	-	-	100.3	325.2	97.0	343.9	95.2	362.7	93.3	364.9	-	-	-	-	-
124.7	-	-	86.0	272.3	82.2	294.3	80.2	306.4	78.0	318.6	-	-	-	-	-
137.8	-	-	-	-	71.4	245.3	69.0	262.4	66.6	275.0	-	-	-	-	-
144.4	-	-	-	-	66.6	228.2	63.9	246.9	61.3	254.6	-	-	-	-	-
150.9	-	-	-	-	-	-	59.9	227.8	56.9	236.8	-	-	-	-	-
157.5	-	-	-	-	-	-	55.8	208.8	52.5	221.6	-	-	-	-	-
164.0	-	-	-	-	-	-	-	-	48.9	207.9	-	-	-	-	-
170.6	-	-	-	-	-	-	-	-	45.4	194.2	-	-	-	-	-

ft	0 lb	216.5 ft		236.2 ft		275.6 ft		295.3 ft		315.0 ft					
		0-551 klb	0 lb	0-551 klb	0 lb	0-551 klb	0 lb	0-551 klb	0 lb	0-551 klb	0 lb	0-551 klb			
		29.5 ft	32.8-52.5 ft	29.5 ft	32.8-52.5 ft	29.5 ft	32.8-52.5 ft	29.5 ft	32.8-52.5 ft	29.5 ft	32.8-52.5 ft	29.5 ft	32.8-52.5 ft		
1,000 lb															
32.8	597.5	612.9	515.9	542.3	-	-	-	-	-	-	-	-	-	-	-
36.1	526.9	612.9	515.9	542.3	385.8	396.8	-	-	-	-	-	-	-	-	-
39.4	454.2	612.9	454.2	542.3	385.8	396.8	347.2	352.7	285.5	299.8	-	-	-	-	-
45.9	354.9	612.9	354.9	542.3	352.7	396.8	347.2	350.5	285.5	299.8	-	-	-	-	-
52.5	288.8	612.9	287.7	542.3	285.5	396.8	283.3	349.4	281.1	299.8	-	-	-	-	-
59.1	241.4	612.9	240.3	542.3	238.1	396.8	235.9	347.2	233.7	299.8	-	-	-	-	-
65.6	206.6	612.9	205.7	542.3	203.0	393.5	200.6	346.1	198.4	299.8	-	-	-	-	-
72.2	179.0	597.5	178.1	542.3	175.5	388.0	173.1	338.4	170.6	298.7	-	-	-	-	-
78.7	157.2	542.3	156.1	524.7	153.2	382.5	150.8	331.8	148.4	298.7	-	-	-	-	-
85.3	139.1	496.0	138.0	493.8	135.1	377.0	132.7	326.3	130.3	298.7	-	-	-	-	-
91.9	124.1	456.4	123.0	454.2	120.2	366.0	117.7	319.7	115.3	297.6	-	-	-	-	-
98.4	111.6	421.1	110.5	420.0	107.6	354.9	104.9	309.7	102.5	295.4	-	-	-	-	-
111.5	91.5	362.7	90.2	362.7	87.3	335.1	84.7	292.1	82.0	276.7	-	-	-	-	-
124.7	76.3	318.6	75.0	318.6	71.7	315.3	68.6	273.4	65.7	261.2	-	-	-	-	-
137.8	64.4	281.6	62.8	282.7	59.0	280.0	55.9	255.2	53.0	246.4	-	-	-	-	-
150.9	54.3	246.4	52.5	251.9	48.5	250.8	45.4	237.0	42.4	231.5	-	-	-	-	-
164.0	46.2	215.0	44.1	223.1	39.9	225.4	36.8	219.5	33.8	214.7	-	-	-	-	-
177.2	39.5	189.8	37.1	196.7	32.7	202.8	29.7	200.1	26.7	195.4	-	-	-	-	-
183.7	36.4	179.9	34.0	184.1	29.5	191.8	26.5	189.4	23.4	185.2	-	-	-	-	-
190.3	-	-	31.3	173.2	26.8	181.8	23.7	179.8	20.6	176.1	-	-	-	-	-
196.9	-	-	28.7	165.6	24.0	171.7	20.9	170.2	17.9	167.1	-	-	-	-	-
203.4	-	-	26.6	155.4	21.7	162.5	18.5	161.6	-	159.1	-	-	-	-	-
210.0	-	-	24.5	145.3	19.4	153.2	16.1	153.0	-	151.0	-	-	-	-	-
216.5	-	-	-	-	-	144.8	-	145.2	-	143.6	-	-	-	-	-
229.7	-	-	-	-	-	130.7	-	130.2	-	129.5	-	-	-	-	-
236.2	-	-	-	-	-	124.6	-	123.9	-	122.8	-	-	-	-	-
242.8	-	-	-	-	-	-	-	118.4	-	116.5	-	-	-	-	-
255.9	-	-	-	-	-	-	-	106.5	-	106.7	-	-	-	-	-
262.5	-	-	-	-	-	-	-	100.1	-	101.4	-	-	-	-	-
269.0	-	-	-	-	-	-	-	-	-	95.9	-	-	-	-	-
275.6	-	-	-	-	-	-	-	-	-	90.4	-	-	-	-	-



SSL / LSL

352,700 lb + 88,200 lb ZB  25'7" 360° ISO

ft	255.9 ft			275.6 ft			295.3 ft		
	SSL/LSL		SSL/LSL SGLmax.	SSL/LSL		SSL/LSL SGLmax.	SSL/LSL		SSL/LSL SGLmax.
	0 lb	0-551,000 lb		0 lb	0-551,000 lb		0 lb	0-551,000 lb	
	29.5 ft	32.8-52.5 ft		29.5 ft	32.8-52.5 ft		29.5 ft	32.8-52.5 ft	
	1,000 lb								
32.8	432.1	463.0	-	-	-	-	-	-	-
36.1	432.1	463.0	-	378.1	392.4	-	348.3	330.7	356.0
39.4	432.1	463.0	-	378.1	392.4	-	348.3	330.7	356.0
45.9	359.4	463.0	-	358.3	392.4	-	343.9	328.5	352.7
52.5	293.2	463.0	-	291.0	392.4	-	291.0	328.5	349.4
59.1	244.7	460.8	-	243.6	392.4	-	243.6	328.5	347.2
65.6	209.7	454.2	-	208.3	389.1	-	207.9	327.4	342.8
72.2	182.1	449.7	-	180.6	389.1	-	179.9	326.3	335.1
78.7	159.8	445.3	-	158.3	389.1	-	157.9	325.2	328.5
85.3	141.8	423.3	-	140.2	389.1	-	139.6	324.1	321.9
91.9	126.8	400.1	-	125.2	373.7	-	124.6	319.7	313.1
98.4	114.0	383.6	-	112.4	359.4	-	111.8	309.7	302.0
111.5	93.7	348.3	-	92.2	327.4	-	91.3	289.9	278.9
124.7	78.3	319.7	-	76.5	300.9	-	75.8	270.1	255.7
137.8	66.1	285.5	-	64.2	280.0	-	63.3	254.6	233.7
150.9	55.8	254.6	-	53.8	253.5	-	52.7	241.4	211.0
164.0	47.4	230.4	-	45.2	229.3	-	44.1	228.2	188.3
177.2	40.3	206.6	-	38.1	206.8	-	37.0	207.5	173.3
190.3	34.4	184.3	-	32.2	185.8	-	31.1	187.8	159.0
203.4	29.3	163.8	-	27.1	166.9	-	25.8	169.8	144.8
216.5	25.4	149.0	-	22.9	149.7	-	21.6	153.4	131.4
229.7	21.8	132.1	-	19.4	136.5	-	17.9	138.2	118.6
242.8	-	-	-	16.3	122.6	-	14.6	125.7	106.0
255.9	-	-	-	-	-	-	11.7	114.6	93.5

ft	315.0 ft			334.6 ft			354.3 ft		
	SSL/LSL		SSL/LSL SGLmax.	SSL/LSL		SSL/LSL SGLmax.	SSL/LSL		SSL/LSL SGLmax.
	0 lb	0-551,000 lb		0 lb	0-551,000 lb		0 lb	0-551,000 lb	
	29.5 ft	32.8-52.5 ft		29.5 ft	32.8-52.5 ft		29.5 ft	32.8-52.5 ft	
	1,000 lb								
39.4	307.5	282.2	315.3	264.6	240.3	275.6	-	-	-
42.7	307.5	282.2	315.3	264.6	240.3	275.6	224.9	205.0	238.1
45.9	305.3	282.2	314.2	264.6	240.3	272.3	224.9	205.0	238.1
52.5	287.7	282.2	312.0	259.0	240.3	269.0	223.8	202.8	238.1
59.1	243.6	282.2	312.0	238.1	240.3	266.8	222.7	200.6	238.1
65.6	207.9	282.2	310.9	202.8	240.3	264.6	201.3	198.4	238.1
72.2	180.1	280.0	303.1	179.7	238.1	261.2	173.3	198.4	238.1
78.7	157.9	280.0	296.5	157.4	231.5	254.6	151.0	195.1	238.1
85.3	139.6	277.8	291.0	139.1	227.1	248.0	138.2	192.0	238.1
91.9	124.6	277.8	285.5	123.9	222.7	241.4	123.0	189.4	238.1
98.4	111.8	273.4	276.7	111.1	221.6	234.8	110.2	188.5	238.1
111.5	91.3	264.6	256.8	90.6	213.0	219.8	89.7	183.9	231.5
124.7	75.6	253.5	235.9	75.2	202.8	203.7	74.1	176.6	220.5
137.8	63.1	233.7	216.5	62.2	194.0	187.8	61.1	169.3	209.9
150.9	52.5	217.2	196.2	51.8	187.4	172.0	50.5	161.8	200.8
164.0	43.9	207.9	175.7	43.0	178.6	155.9	41.7	154.5	191.8
177.2	36.6	195.1	156.5	35.7	167.6	140.0	34.4	147.9	182.8
190.3	30.6	184.1	144.6	29.5	152.1	126.1	28.4	141.1	173.7
203.4	25.4	172.2	132.7	24.5	140.0	116.2	23.1	134.5	163.6
216.5	20.9	156.5	120.8	19.8	132.3	106.5	18.5	125.9	148.8
229.7	17.0	142.0	109.6	15.9	126.3	96.8	14.6	119.3	135.4
242.8	13.7	128.8	98.5	12.3	120.6	87.3	11.0	113.5	123.0
255.9	10.8	116.2	88.4	9.5	114.6	78.0	7.9	108.5	111.6
269.0	8.2	107.8	78.7	6.8	108.5	69.4	-	103.4	101.2
282.2	-	-	-	-	98.8	61.7	-	98.5	93.5
295.3	-	-	-	-	90.8	53.8	-	90.2	84.4



SSL / LSL

352,700 lb + 88,200 lb ZB	25'7"	360°	ISO
---------------------------	-------	------	-----

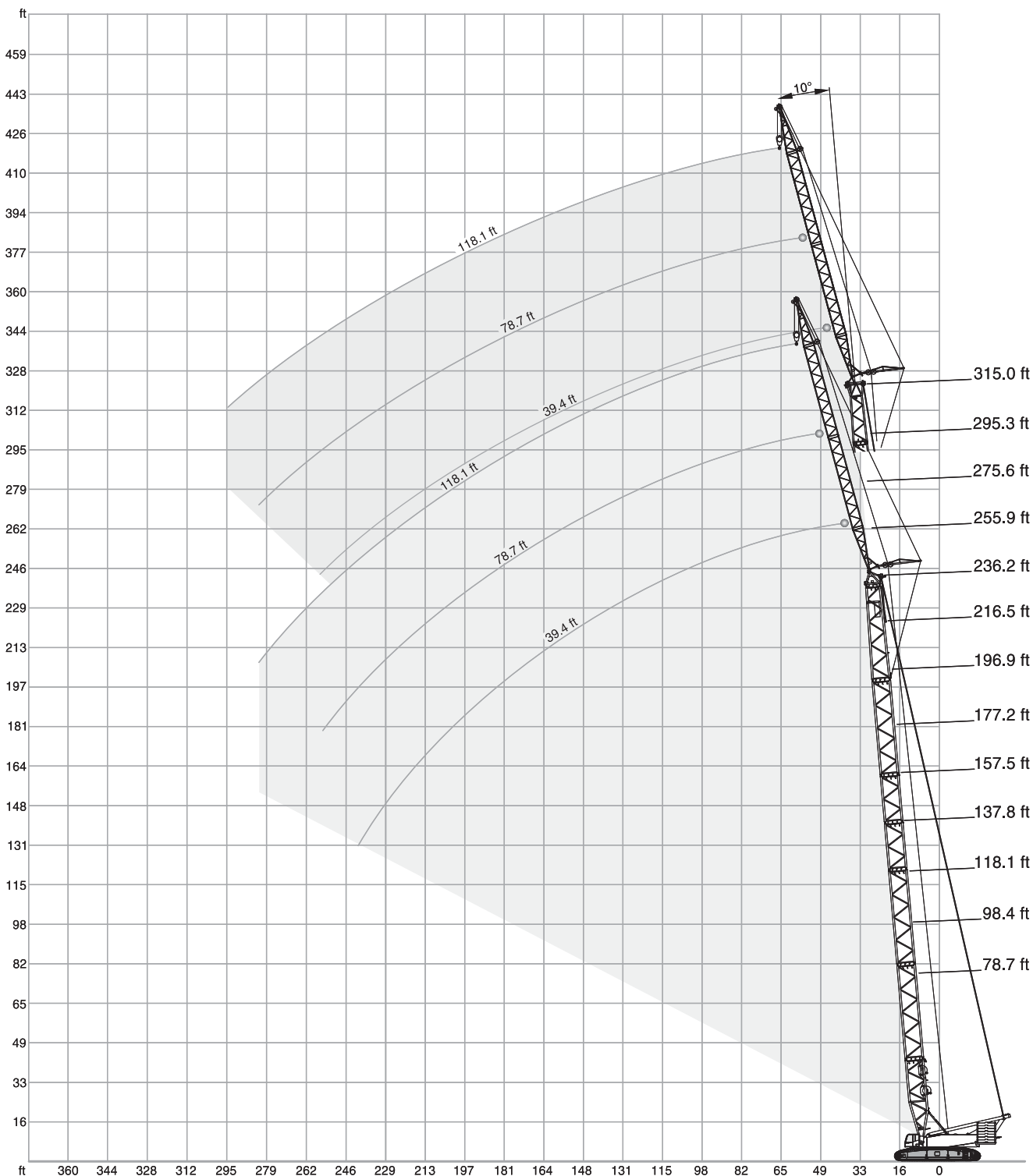
ft	374.0 ft			393.7 ft			413.4 ft		
	SSL/LSL		SSL/LSL SGLmax.	SSL/LSL		SSL/LSL SGLmax.	SSL/LSL		SSL/LSL SGLmax.
	0 lb	0-551,000 lb		0 lb	0-551,000 lb		0 lb	0-551,000 lb	
	29.5 ft	32.8-52.5 ft		29.5 ft	32.8-52.5 ft		29.5 ft	32.8-52.5 ft	
	1,000 lb								
42.7	192.9	174.2	209.9	-	-	-	-	-	-
45.9	192.9	174.2	209.9	177.7	152.1	187.6	154.1	127.9	164.2
52.5	192.9	174.2	209.9	177.7	152.1	187.6	154.1	127.9	164.2
59.1	192.9	174.2	209.9	177.7	152.1	187.6	154.1	127.9	164.2
65.6	192.9	172.0	209.9	177.7	152.1	187.6	154.1	127.9	164.2
72.2	172.0	172.0	209.9	166.7	152.1	187.6	154.1	127.9	164.2
78.7	149.9	169.8	209.9	145.5	152.1	187.6	143.1	127.9	164.2
85.3	131.6	169.8	209.4	127.9	149.9	187.2	125.7	125.7	164.0
91.9	122.6	167.6	209.0	113.1	147.7	186.7	111.1	125.7	163.6
98.4	109.8	160.9	208.8	100.3	145.5	186.5	98.5	123.5	162.9
111.5	89.3	158.7	207.5	88.8	143.3	186.5	78.3	121.3	162.3
124.7	73.6	152.1	198.4	73.0	141.1	181.2	72.5	116.8	160.9
137.8	60.4	147.7	189.6	59.7	136.7	172.4	60.2	112.4	154.3
150.9	49.8	141.1	180.8	49.2	134.5	164.5	49.8	110.2	148.4
164.0	41.0	132.3	175.0	40.3	132.3	158.5	41.2	108.0	142.6
177.2	33.7	125.7	169.1	33.1	125.7	153.2	33.7	103.6	138.2
190.3	27.6	119.0	163.4	26.9	123.5	147.7	27.6	101.4	134.5
203.4	22.3	110.2	157.6	21.6	121.3	142.4	22.0	99.2	130.7
216.5	17.6	108.0	149.3	17.0	112.4	137.1	17.4	97.0	126.8
229.7	13.7	99.2	135.8	12.8	105.8	130.5	13.4	92.6	123.0
242.8	10.1	93.9	123.7	9.3	101.4	119.9	9.7	88.2	115.5
255.9	7.1	90.6	112.4	6.2	97.0	109.3	6.6	83.8	105.6
269.0	-	88.0	102.3	-	90.4	99.4	-	79.4	96.3
282.2	-	85.1	92.6	-	86.4	90.4	-	72.8	87.7
295.3	-	82.5	85.3	-	82.7	82.9	-	69.2	80.2
308.4	-	79.8	77.2	-	79.1	75.2	-	66.8	73.2
321.5	-	76.1	69.2	-	75.4	67.9	-	64.4	66.4
334.6	-	-	-	-	70.5	60.8	-	61.9	60.0
347.8	-	-	-	-	64.4	53.8	-	59.5	53.6
360.9	-	-	-	-	-	-	-	57.1	47.4
374.0	-	-	-	-	-	-	-	-	-

2



SH + LF2, SH/LH + LF2

10°



**SH + LF2**

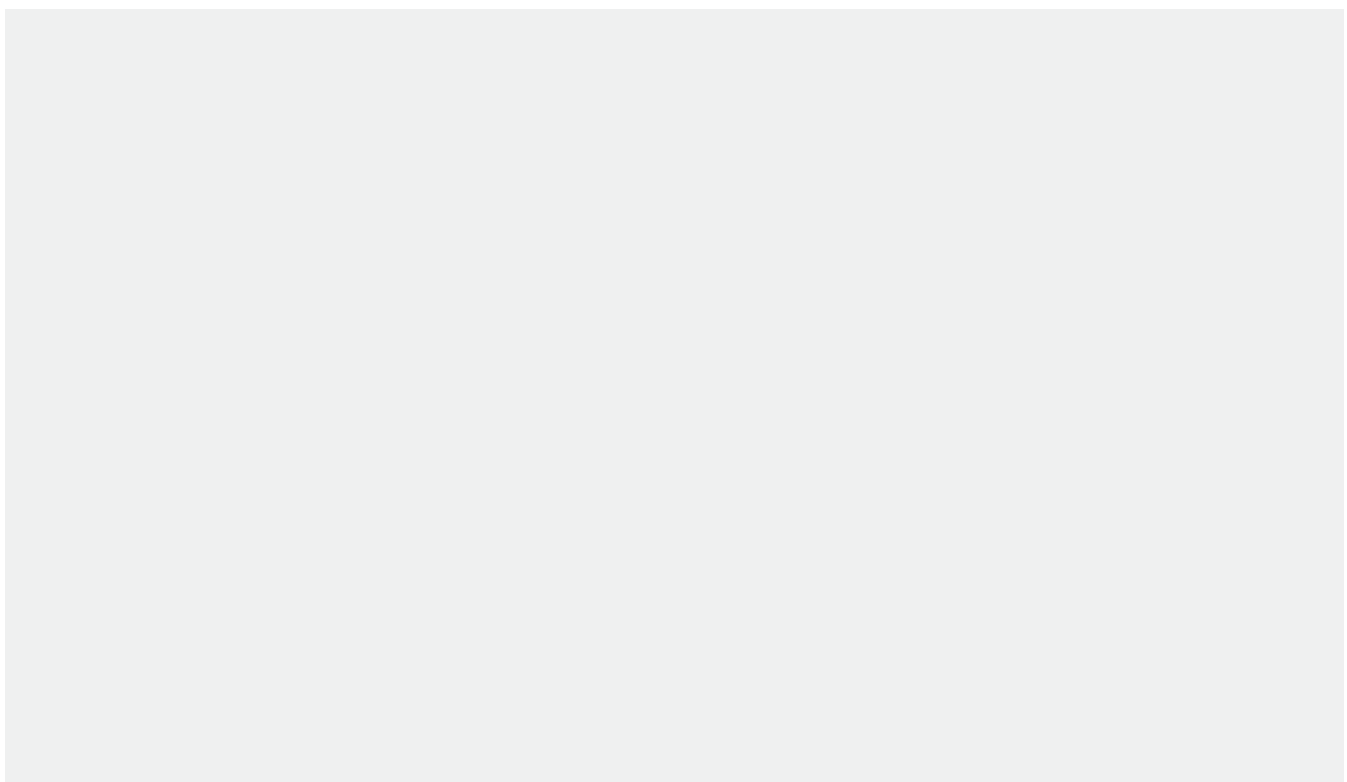
352,700 lb + 88,200 lb ZB		39.4 - 118.1 ft						25'7"		360°				ISO
	78.7 ft						98.4 ft							
	39.4 ft		78.7 ft		118.1 ft		39.4 ft		78.7 ft		118.1 ft			
	10°	15°	10°	30°	10°	30°	10°	15°	10°	30°	10°	30°		
ft	1,000 lb													
26.2	255.7	-	-	-	-	-	255.7	-	-	-	-	-	-	
29.5	255.7	242.5	-	-	-	-	255.7	251.3	-	-	-	-	-	
32.8	255.7	222.7	-	-	-	-	255.7	233.7	-	-	-	-	-	
36.1	255.7	208.3	148.8	-	-	-	255.7	220.5	148.8	-	-	-	-	
39.4	238.1	194.0	148.8	-	-	-	255.7	207.2	148.8	-	-	-	-	
45.9	206.1	172.0	133.4	-	89.5	-	227.1	185.2	142.2	-	88.2	-	-	
52.5	181.9	154.3	117.9	-	87.7	-	201.7	166.4	125.7	-	88.2	-	-	
59.1	163.1	140.0	104.9	55.1	84.0	-	181.9	152.1	112.4	-	85.1	-	-	
62.3	155.4	133.4	99.6	53.1	80.2	-	173.1	145.5	107.1	54.0	83.6	-	-	
65.6	147.7	127.9	94.6	51.1	76.1	-	165.3	140.0	102.1	52.2	80.2	-	-	
72.2	134.5	117.9	86.0	47.8	68.8	-	151.0	130.1	93.3	49.2	73.0	-	-	
78.7	124.6	110.2	78.9	45.0	62.8	-	140.0	121.3	85.8	46.3	66.8	-	-	
85.3	115.7	103.2	72.8	42.3	57.8	32.0	130.1	113.5	79.4	43.9	61.5	32.4	-	
91.9	108.0	97.0	67.5	40.1	53.4	30.0	121.3	107.4	73.9	41.7	57.1	30.4	-	
98.4	101.4	91.7	62.8	38.1	49.4	28.2	113.5	101.6	69.0	39.7	53.1	28.9	-	
111.5	91.1	83.6	55.3	34.6	43.2	25.1	100.1	92.2	60.8	36.4	46.5	26.0	-	
124.7	-	-	49.6	32.0	38.1	22.7	85.5	84.9	54.7	33.7	41.2	23.6	-	
137.8	-	-	45.0	30.2	34.2	20.7	-	-	49.6	31.5	37.0	21.6	-	
144.4	-	-	43.0	-	32.5	20.0	-	-	47.5	30.8	35.3	20.8	-	
150.9	-	-	-	-	30.9	19.2	-	-	45.4	30.0	33.5	20.1	-	
164.0	-	-	-	-	28.2	17.9	-	-	42.1	-	30.6	18.7	-	
177.2	-	-	-	-	26.0	-	-	-	-	-	28.2	17.6	-	
190.3	-	-	-	-	-	-	-	-	-	-	26.2	-	-	

	118.1 ft						137.8 ft						
	39.4 ft		78.7 ft		118.1 ft		39.4 ft		78.7 ft		118.1 ft		
	10°	15°	10°	30°	10°	30°	10°	15°	10°	30°	10°	30°	
ft	1,000 lb												
29.5	255.7	-	-	-	-	-	255.7	-	-	-	-	-	-
32.8	255.7	244.7	-	-	-	-	255.7	251.3	-	-	-	-	-
39.4	255.7	217.2	145.5	-	-	-	255.7	224.9	144.4	-	-	-	-
45.9	244.7	196.2	144.4	-	-	-	255.7	205.0	143.3	-	-	-	-
49.2	231.5	186.3	140.0	-	87.7	-	246.9	196.2	142.2	-	86.2	-	-
52.5	219.4	178.6	132.3	-	87.7	-	233.7	187.4	138.9	-	86.2	-	-
59.1	198.4	163.1	119.0	-	85.3	-	212.7	173.1	125.7	-	85.3	-	-
62.3	188.5	156.5	113.5	54.7	84.2	-	203.9	166.4	120.2	-	84.2	-	-
65.6	180.8	151.0	108.9	53.1	82.9	-	195.1	160.9	114.6	53.8	83.3	-	-
72.2	166.4	140.0	99.9	50.0	76.7	-	178.6	149.9	105.8	50.9	80.2	-	-
78.7	154.3	131.2	92.2	47.6	70.5	-	157.6	140.0	97.9	48.5	74.1	-	-
85.3	143.3	123.5	85.3	45.2	65.3	32.6	141.1	132.3	91.1	46.3	68.6	-	-
91.9	129.0	116.8	79.6	43.2	60.6	30.9	126.8	124.6	85.1	44.3	63.9	31.3	-
98.4	116.8	110.2	74.5	41.2	56.4	29.3	114.6	114.6	79.8	42.3	59.7	29.8	-
111.5	97.7	98.1	66.1	37.9	49.8	26.7	95.2	95.9	71.0	39.2	52.7	27.1	-
124.7	82.9	83.3	59.3	35.3	44.3	24.5	80.5	80.9	63.9	36.6	47.2	24.9	-
137.8	71.4	71.7	54.0	33.1	39.9	22.5	68.8	69.2	58.2	34.4	42.5	23.1	-
144.4	66.6	66.8	51.7	32.2	38.0	21.7	64.2	64.5	55.8	33.4	40.6	22.4	-
150.9	-	-	49.4	31.3	36.2	20.9	59.5	59.7	53.4	32.4	38.6	21.6	-
157.5	-	-	47.5	30.5	34.6	20.2	55.3	55.8	51.4	31.6	37.0	20.9	-
164.0	-	-	45.6	29.8	33.1	19.4	-	-	49.4	30.9	35.5	20.3	-
177.2	-	-	42.5	-	30.4	18.3	-	-	45.9	29.8	32.6	19.0	-
190.3	-	-	-	-	28.2	17.4	-	-	43.0	-	30.4	18.1	-
203.4	-	-	-	-	26.5	16.8	-	-	-	-	28.2	17.2	-
216.5	-	-	-	-	24.9	-	-	-	-	-	26.5	16.5	-
229.7	-	-	-	-	-	-	-	-	-	-	25.1	-	-
242.8	-	-	-	-	-	-	-	-	-	-	-	-	-



SH + LF2

352,700 lb + 88,200 lb ZB		39.4 - 118.1 ft						25'7"			360°			ISO
	157.5 ft						177.2 ft							
	39.4 ft		78.7 ft		118.1 ft		39.4 ft		78.7 ft		118.1 ft			
	10°	15°	10°	30°	10°	30°	10°	15°	10°	30°	10°	30°		
ft	1,000 lb													
32.8	255.7	-	-	-	-	-	255.7	-	-	-	-	-	-	
36.1	255.7	244.7	-	-	-	-	255.7	251.3	-	-	-	-	-	
39.4	255.7	233.7	-	-	-	-	255.7	240.3	-	-	-	-	-	
42.7	255.7	222.7	141.1	-	-	-	255.7	229.3	137.8	-	-	-	-	
45.9	255.7	213.8	141.1	-	-	-	255.7	220.5	137.8	-	-	-	-	
52.5	249.1	196.2	138.9	-	84.9	-	242.5	203.9	136.7	-	-	-	-	
55.8	235.9	188.5	137.8	-	84.9	-	227.1	196.2	135.6	-	-	82.9	-	
59.1	222.7	181.9	131.2	-	84.2	-	213.8	189.6	135.6	-	-	82.9	-	
65.6	197.3	169.8	120.2	54.2	82.9	-	189.6	177.5	125.7	-	-	81.8	-	
72.2	176.4	158.7	111.3	51.6	81.4	-	169.8	166.4	116.8	52.2	-	80.7	-	
78.7	155.4	148.8	103.4	49.4	77.2	-	153.2	154.3	108.5	50.0	-	79.8	-	
85.3	137.8	138.9	96.3	47.2	71.7	-	136.7	137.8	101.4	48.1	-	74.7	-	
91.9	123.5	124.6	90.4	45.2	67.0	31.5	122.4	123.5	95.2	46.1	-	69.9	32.0	
98.4	111.3	112.4	84.9	43.4	62.6	30.2	110.2	111.3	89.5	44.3	-	65.5	30.4	
111.5	92.8	93.5	75.6	40.3	55.6	27.8	90.8	91.7	80.0	41.4	-	58.2	28.2	
124.7	78.0	78.5	68.3	37.7	49.8	25.6	76.1	76.7	72.5	38.8	-	52.5	26.0	
137.8	66.4	66.8	62.2	35.5	45.0	23.8	64.4	64.8	66.1	36.6	-	47.4	24.3	
150.9	56.9	57.3	57.1	33.5	41.0	22.3	54.9	55.3	59.5	34.6	-	43.4	22.7	
164.0	48.9	49.4	52.9	32.0	37.7	20.7	46.5	47.0	51.6	32.8	-	39.9	21.4	
177.2	42.1	42.3	47.0	30.6	34.8	19.6	39.7	40.1	44.8	31.5	-	36.8	20.3	
190.3	-	-	41.0	29.5	32.4	18.5	34.0	34.2	38.8	30.4	-	34.2	19.2	
203.4	-	-	35.9	-	30.2	17.9	-	-	33.5	29.5	-	32.0	18.3	
216.5	-	-	31.3	-	28.2	17.0	-	-	29.1	-	-	30.0	17.4	
229.7	-	-	-	-	26.7	16.5	-	-	25.1	-	-	28.0	17.0	
242.8	-	-	-	-	25.4	-	-	-	-	-	-	24.5	16.3	
255.9	-	-	-	-	-	-	-	-	-	-	-	21.2	-	
269.0	-	-	-	-	-	-	-	-	-	-	-	18.5	-	





SH + LF2

352,700 lb + 88,200 lb ZB		39.4 - 118.1 ft						25'7"			360°				ISO
	196.9 ft						216.5 ft								
	39.4 ft		78.7 ft		118.1 ft		39.4 ft		78.7 ft		118.1 ft				
	10°	15°	10°	30°	10°	30°	10°	15°	10°	30°	10°	30°			
ft	1,000 lb														
36.1	255.7	-	-	-	-	-	255.7	-	-	-	-	-	-		
39.4	255.7	244.7	-	-	-	-	255.7	251.3	-	-	-	-	-		
45.9	255.7	227.1	134.5	-	-	-	255.7	231.5	129.0	-	-	-	-		
52.5	231.5	210.5	134.5	-	-	-	222.7	216.1	129.0	-	-	-	-		
55.8	218.3	202.8	133.4	-	80.9	-	208.3	209.4	129.0	-	-	-	-		
59.1	205.0	196.2	133.4	-	80.9	-	196.2	198.4	127.9	-	-	79.8	-		
65.6	181.9	184.1	131.2	-	80.5	-	174.2	176.4	127.9	-	-	79.4	-		
72.2	163.1	164.2	121.3	52.7	79.8	-	155.4	157.6	125.7	53.1	78.9	-	-		
78.7	146.6	147.7	112.4	50.7	78.9	-	140.0	142.2	117.9	51.1	78.3	-	-		
85.3	132.3	134.5	106.0	48.7	77.4	-	126.8	129.0	110.2	49.2	77.6	-	-		
91.9	120.2	121.3	99.6	47.0	72.5	32.0	115.7	116.8	104.1	47.4	75.2	-	-		
98.4	108.0	109.1	94.1	45.2	68.1	30.9	105.6	106.9	98.3	45.9	70.8	31.1	-		
111.5	88.6	89.5	84.4	42.3	60.8	28.4	86.2	87.3	88.4	43.0	63.3	28.7	-		
124.7	73.6	74.5	76.5	39.7	54.9	26.5	71.4	72.3	76.9	40.6	57.1	26.9	-		
137.8	61.9	62.6	67.0	37.5	49.8	24.7	59.3	60.2	65.0	38.4	52.0	25.1	-		
150.9	52.0	52.7	57.5	35.5	45.6	23.1	49.2	50.0	55.3	36.4	47.6	23.6	-		
164.0	43.7	44.3	49.4	34.0	41.9	21.8	41.0	41.4	46.7	34.6	43.9	22.3	-		
177.2	36.8	37.3	42.1	32.4	38.8	20.7	34.0	34.4	39.5	33.3	40.8	21.2	-		
190.3	30.9	31.3	35.9	31.1	36.2	19.6	28.0	28.4	33.5	32.0	37.0	20.1	-		
203.4	26.0	26.2	30.9	30.2	33.7	18.7	22.9	23.4	28.2	30.9	31.7	19.2	-		
216.5	-	-	26.2	28.4	29.5	17.9	18.7	19.0	23.6	26.2	27.1	18.3	-		
229.7	-	-	22.3	-	25.4	17.2	15.0	15.2	19.6	21.8	22.9	17.6	-		
242.8	-	-	18.7	-	21.8	16.8	-	-	16.1	-	19.4	17.0	-		
255.9	-	-	-	-	18.7	16.3	-	-	13.0	-	16.1	16.5	-		
269.0	-	-	-	-	15.9	-	-	-	-	-	13.2	15.9	-		
282.2	-	-	-	-	13.2	-	-	-	-	-	10.6	-	-		
295.3	-	-	-	-	-	-	-	-	-	-	8.4	-	-		



SH + LF2

352,700 lb + 88,200 lb ZB		39.4 - 118.1 ft						25'7"			360°			ISO				
	236.2 ft						255.9 ft											
	39.4 ft		78.7 ft		118.1 ft		39.4 ft		78.7 ft		118.1 ft							
	10°	15°	10°	30°	10°	30°	10°	15°	10°	30°	10°	30°						
ft	1,000 lb																	
39.4	224.9	-	-	-	-	-	224.9	-	-	-	-	-	-	-	-	-		
42.7	224.9	224.9	-	-	-	-	224.9	224.9	-	-	-	-	-	-	-	-		
45.9	224.9	224.9	-	-	-	-	224.9	224.9	-	-	-	-	-	-	-	-		
49.2	224.9	224.9	125.7	-	-	-	219.4	220.5	120.2	-	-	-	-	-	-	-		
52.5	213.8	216.1	125.7	-	-	-	205.0	207.2	120.2	-	-	-	-	-	-	-		
59.1	187.4	190.7	124.6	-	77.4	-	180.8	183.0	120.2	-	-	-	-	-	-	-		
62.3	176.4	179.7	124.6	-	77.4	-	169.8	172.0	120.2	-	-	75.2	-	-	-	-		
65.6	166.4	168.7	123.5	-	77.4	-	159.8	162.0	119.0	-	-	75.2	-	-	-	-		
72.2	148.8	151.0	123.5	-	76.9	-	143.3	145.5	119.0	-	-	74.7	-	-	-	-		
78.7	134.5	135.6	121.3	51.6	76.5	-	129.0	130.1	117.9	51.8	74.3	-	-	-	-	-		
85.3	121.3	122.4	114.6	49.8	76.1	-	115.7	117.9	117.9	50.0	74.1	-	-	-	-	-		
91.9	110.2	111.3	108.0	48.1	75.4	-	105.8	107.4	107.6	48.5	73.6	-	-	-	-	-		
98.4	100.5	102.1	102.3	46.5	73.2	31.1	96.1	97.7	98.3	47.0	73.2	31.3	-	-	-	-		
111.5	84.0	85.1	86.6	43.7	65.5	29.1	80.0	81.4	82.9	44.3	67.7	29.3	-	-	-	-		
124.7	69.0	69.9	73.9	41.2	59.3	27.1	67.0	68.1	70.1	41.9	61.5	27.3	-	-	-	-		
137.8	56.7	57.5	62.8	39.0	54.2	25.6	54.5	55.3	59.7	39.7	56.2	25.8	-	-	-	-		
150.9	46.5	47.2	52.7	37.0	49.6	24.0	44.1	45.0	50.7	37.9	51.6	24.3	-	-	-	-		
164.0	38.1	38.8	44.1	35.5	45.9	22.7	35.7	36.6	42.1	36.2	45.9	23.1	-	-	-	-		
177.2	31.1	31.7	36.8	34.0	40.8	21.6	28.9	29.5	34.8	34.6	38.8	21.8	-	-	-	-		
190.3	25.1	25.8	30.9	32.6	34.6	20.5	22.9	23.4	28.7	33.1	32.6	20.9	-	-	-	-		
203.4	20.1	20.5	25.6	29.1	29.3	19.6	17.9	18.3	23.4	27.3	27.1	20.1	-	-	-	-		
216.5	15.7	16.1	20.9	24.0	24.5	18.7	13.4	13.9	18.7	22.3	22.5	19.2	-	-	-	-		
229.7	11.9	12.3	17.0	19.6	20.5	18.1	9.5	9.9	14.8	17.6	18.3	18.3	-	-	-	-		
242.8	8.6	8.8	13.4	15.7	16.8	17.4	6.2	6.6	11.2	13.9	14.6	17.6	-	-	-	-		
255.9	-	-	10.1	-	13.4	16.8	-	-	7.9	10.4	11.5	15.4	-	-	-	-		
269.0	-	-	7.5	-	10.6	13.7	-	-	-	-	8.4	11.9	-	-	-	-		
282.2	-	-	-	-	7.9	10.8	-	-	-	-	6.0	9.0	-	-	-	-		
295.3	-	-	-	-	5.7	-	-	-	-	-	-	6.2	-	-	-	-		

	275.6 ft															
	39.4 ft		78.7 ft		118.1 ft											
	10°	15°	10°	30°	10°	30°										
ft	1,000 lb															
42.7	195.1	-	-	-	-	-	-	-	-	-	-	-	-	-	-	-
45.9	195.1	195.1	-	-	-	-	-	-	-	-	-	-	-	-	-	-
52.5	195.1	195.1	114.6	-	-	-	-	-	-	-	-	-	-	-	-	-
59.1	173.1	175.3	114.6	-	-	-	-	-	-	-	-	-	-	-	-	-
62.3	162.0	165.3	114.6	-	72.5	-	-	-	-	-	-	-	-	-	-	-
65.6	153.2	155.4	114.6	-	72.5	-	-	-	-	-	-	-	-	-	-	-
72.2	136.7	138.9	114.6	-	72.3	-	-	-	-	-	-	-	-	-	-	-
78.7	122.4	124.6	113.5	52.2	71.9	-	-	-	-	-	-	-	-	-	-	-
85.3	110.2	112.4	112.4	50.5	71.7	-	-	-	-	-	-	-	-	-	-	-
91.9	100.5	102.3	102.7	48.9	71.2	-	-	-	-	-	-	-	-	-	-	-
98.4	91.3	92.8	93.7	47.4	71.0	31.5	-	-	-	-	-	-	-	-	-	-
111.5	75.6	76.9	78.5	44.8	69.9	29.3	-	-	-	-	-	-	-	-	-	-
124.7	62.8	63.9	66.1	42.5	63.5	27.6	-	-	-	-	-	-	-	-	-	-
137.8	51.6	52.7	55.8	40.3	58.2	26.0	-	-	-	-	-	-	-	-	-	-
150.9	41.4	42.3	47.2	38.6	49.6	24.7	-	-	-	-	-	-	-	-	-	-
164.0	33.1	34.0	39.5	36.8	42.3	23.4	-	-	-	-	-	-	-	-	-	-
177.2	26.0	26.7	32.2	35.3	36.2	22.3	-	-	-	-	-	-	-	-	-	-
190.3	20.1	20.7	26.0	30.9	30.2	21.2	-	-	-	-	-	-	-	-	-	-
203.4	15.0	15.4	20.7	25.1	24.7	20.3	-	-	-	-	-	-	-	-	-	-
216.5	10.6	11.0	16.1	20.1	20.1	19.4	-	-	-	-	-	-	-	-	-	-
229.7	6.6	7.1	12.1	15.4	15.9	18.7	-	-	-	-	-	-	-	-	-	-
242.8	-	-	8.6	11.5	12.1	17.0	-	-	-	-	-	-	-	-	-	-
255.9	-	-	-	7.9	8.8	13.2	-	-	-	-	-	-	-	-	-	-
269.0	-	-	-	-	6.0	9.9	-	-	-	-	-	-	-	-	-	-



SH / LH + LF2

352,700 lb + 88,200 lb ZB		39.4 - 118.1 ft		25'7"		360°		ISO								
137.8 ft		157.5 ft														
SH/LH + LF2 SGLmax.		SH/LH + LF2		SH/LH + LF2 SGLmax.		SH/LH + LF2										
39.4 ft		78.7 ft		118.1 ft		39.4 ft		78.7 ft		118.1 ft						
10°		15°		10°		10°		30°		10°		30°				
ft	1,000 lb															
29.5	-	-	255.7	-	-	-	-	-	-	-	-	-	-	-	-	-
32.8	-	-	255.7	-	-	-	-	-	-	251.3	-	-	-	-	-	-
36.1	255.7	-	255.7	-	-	-	-	-	255.7	-	251.3	-	-	-	-	-
39.4	255.7	253.5	251.3	137.8	-	-	-	-	255.7	255.7	244.7	-	-	-	-	-
42.7	255.7	240.3	244.7	137.8	-	-	-	-	255.7	249.1	240.3	135.6	-	-	-	-
45.9	255.7	229.3	238.1	137.8	-	-	-	-	255.7	238.1	235.9	135.6	-	-	-	-
49.2	255.7	220.5	227.1	134.5	-	82.7	-	-	255.7	229.3	229.3	134.5	-	-	-	-
52.5	255.7	211.6	217.2	127.9	-	82.7	-	-	255.7	220.5	224.9	132.3	-	80.7	-	-
59.1	231.5	195.1	198.4	116.8	-	82.0	-	-	242.5	203.9	209.4	121.3	-	80.7	-	-
65.6	210.5	180.8	183.0	107.1	44.3	80.5	-	-	208.3	190.7	194.0	111.3	44.3	79.6	-	-
72.2	184.1	169.8	169.8	99.2	42.1	74.7	-	-	181.9	178.6	179.7	103.6	42.5	77.2	-	-
78.7	163.1	158.7	157.6	92.2	40.3	69.2	-	-	160.9	162.0	159.8	96.6	40.8	71.7	-	-
85.3	145.5	146.6	144.4	86.0	38.6	64.4	-	-	143.3	144.4	142.2	90.4	39.2	66.8	-	-
91.9	131.2	132.3	130.1	80.7	37.3	60.2	25.6	-	129.0	130.1	127.9	84.9	37.7	62.6	25.8	-
98.4	119.0	120.2	117.9	75.8	35.7	56.4	24.5	-	116.8	117.9	115.7	80.0	36.4	58.9	24.7	-
111.5	100.5	101.0	99.6	67.9	33.3	50.0	22.5	-	98.1	98.8	97.2	71.9	34.0	52.5	22.7	-
124.7	85.8	86.2	84.9	61.3	31.3	45.0	20.7	-	83.3	84.0	82.5	65.0	32.0	47.2	21.2	-
137.8	74.3	74.5	73.2	56.0	29.5	40.6	19.4	-	71.9	72.1	71.0	59.5	30.4	42.8	19.6	-
150.9	64.8	65.0	63.9	51.6	28.2	37.0	18.1	-	62.4	62.8	61.5	54.9	28.9	39.2	18.5	-
154.2	62.8	63.1	61.9	50.7	27.9	36.3	17.8	-	60.5	60.8	59.6	53.9	28.6	38.5	18.2	-
157.5	-	-	60.0	49.7	27.7	35.6	17.5	-	58.5	58.9	57.7	52.9	28.3	37.7	18.0	-
164.0	-	-	-	47.8	27.1	34.2	17.0	-	54.7	54.9	53.8	50.9	27.8	36.2	17.4	-
170.6	-	-	-	46.3	-	32.8	16.5	-	51.6	51.8	50.6	49.3	27.2	34.8	17.0	-
177.2	-	-	-	44.8	-	31.5	16.1	-	-	-	47.4	47.6	26.7	33.5	16.5	-
190.3	-	-	-	42.1	-	29.3	15.4	-	-	-	-	44.8	-	31.1	15.7	-
203.4	-	-	-	-	-	27.3	14.8	-	-	-	-	40.1	-	29.1	15.0	-
216.5	-	-	-	-	-	25.8	-	-	-	-	-	35.9	-	27.3	14.6	-
229.7	-	-	-	-	-	24.5	-	-	-	-	-	-	-	25.8	-	-
242.8	-	-	-	-	-	-	-	-	-	-	-	-	-	24.5	-	-

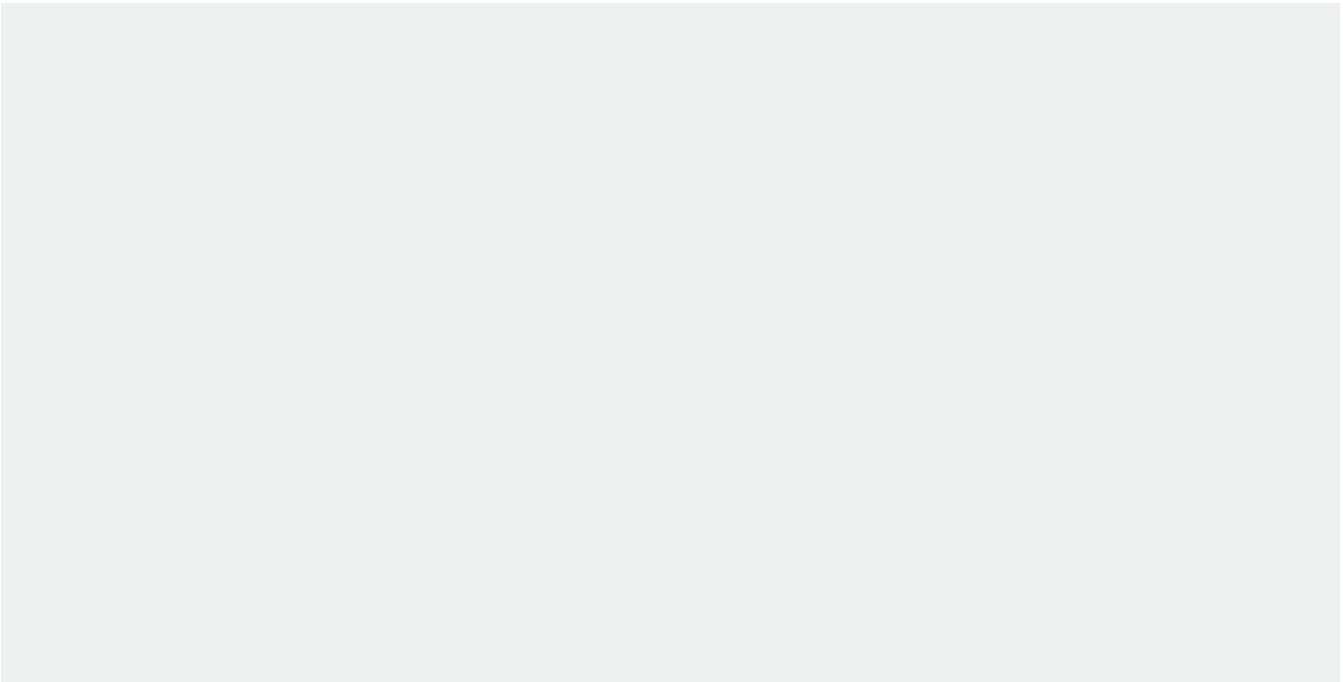
3



SH / LH + LF2

352,700 lb + 88,200 lb ZB
 39.4 - 118.1 ft
 25'7"
 360°
 ISO

ft	177.2 ft								196.9 ft								
	SH/LH + LF2 SGLmax.				SH/LH + LF2				SH/LH + LF2 SGLmax.				SH/LH + LF2				
	39.4 ft		78.7 ft		118.1 ft		39.4 ft		78.7 ft		118.1 ft		39.4 ft		78.7 ft		118.1 ft
	10°	15°	10°	10°	30°	10°	30°	10°	15°	10°	10°	30°	10°	30°	10°	30°	
	1,000 lb																
32.8	-	-	222.7	-	-	-	-	-	-	-	-	-	-	-	-	-	
36.1	-	-	222.7	-	-	-	-	-	-	-	217.2	-	-	-	-	-	
39.4	255.7	-	222.7	-	-	-	-	-	-	-	217.2	-	-	-	-	-	
42.7	255.7	246.9	219.4	129.0	-	-	-	-	255.7	-	212.7	-	-	-	-	-	
45.9	255.7	240.3	213.8	129.0	-	-	-	-	255.7	238.1	209.4	125.7	-	-	-	-	
52.5	255.7	227.1	203.9	126.8	-	-	-	-	255.7	229.3	200.6	125.7	-	-	-	-	
55.8	255.7	220.5	199.5	125.7	-	78.0	-	-	251.3	224.9	196.2	123.5	-	76.5	-	-	
59.1	240.3	212.7	196.2	123.5	-	78.0	-	-	238.1	220.5	192.9	121.3	-	76.5	-	-	
65.6	206.1	199.5	188.5	115.7	-	77.4	-	-	203.9	206.1	186.3	116.8	-	76.3	-	-	
72.2	179.7	180.8	176.4	107.8	42.8	76.5	-	-	177.5	179.7	168.7	111.3	42.8	75.6	-	-	
78.7	158.7	159.8	158.7	100.8	41.0	74.1	-	-	156.5	157.6	153.2	104.5	41.2	75.2	-	-	
85.3	141.1	142.2	141.1	94.6	39.5	69.2	-	-	138.9	140.0	138.9	98.3	39.9	71.4	-	-	
91.9	126.8	127.9	126.8	89.1	38.1	65.0	25.8	-	124.6	125.7	124.6	92.8	38.6	67.0	25.8	-	
98.4	114.6	115.7	114.6	84.0	36.8	61.1	24.7	-	112.4	113.5	112.4	87.7	37.3	63.3	24.7	-	
111.5	95.9	96.6	95.7	75.6	34.6	54.7	22.9	-	93.7	94.4	93.5	79.1	35.1	56.9	22.9	-	
124.7	81.1	81.6	80.9	68.8	32.6	49.4	21.4	-	78.7	79.4	78.7	72.1	33.3	51.4	21.6	-	
137.8	69.4	69.9	69.2	63.1	31.1	45.0	20.1	-	67.0	67.7	67.0	66.1	31.5	47.0	20.3	-	
150.9	60.0	60.4	59.7	58.2	29.5	41.2	18.7	-	57.5	58.2	57.5	61.3	30.2	43.2	19.0	-	
164.0	52.2	52.7	52.0	54.0	28.4	37.9	17.6	-	49.8	50.3	49.6	53.6	28.9	39.9	18.1	-	
177.2	45.9	46.1	45.6	48.9	27.3	35.3	16.8	-	42.8	43.2	42.8	47.0	27.8	37.0	17.2	-	
187.0	41.4	41.7	41.3	44.8	26.7	33.5	16.3	-	38.5	38.7	38.3	42.5	27.1	35.1	16.5	-	
190.3	-	-	39.9	43.4	26.5	32.8	16.1	-	37.0	37.3	36.8	41.0	26.9	34.4	16.3	-	
203.4	-	-	-	38.4	-	30.6	15.4	-	32.0	32.4	32.0	35.7	26.2	32.4	15.7	-	
216.5	-	-	-	34.0	-	28.9	14.8	-	-	-	-	31.3	-	30.4	15.0	-	
229.7	-	-	-	30.0	-	27.3	14.3	-	-	-	-	27.3	-	28.7	14.6	-	
242.8	-	-	-	-	-	25.8	-	-	-	-	-	23.8	-	26.0	14.3	-	
255.9	-	-	-	-	-	24.7	-	-	-	-	-	-	-	22.9	-	-	
269.0	-	-	-	-	-	22.7	-	-	-	-	-	-	-	20.1	-	-	
282.2	-	-	-	-	-	-	-	-	-	-	-	-	-	17.6	-	-	





SH / LH + LF2

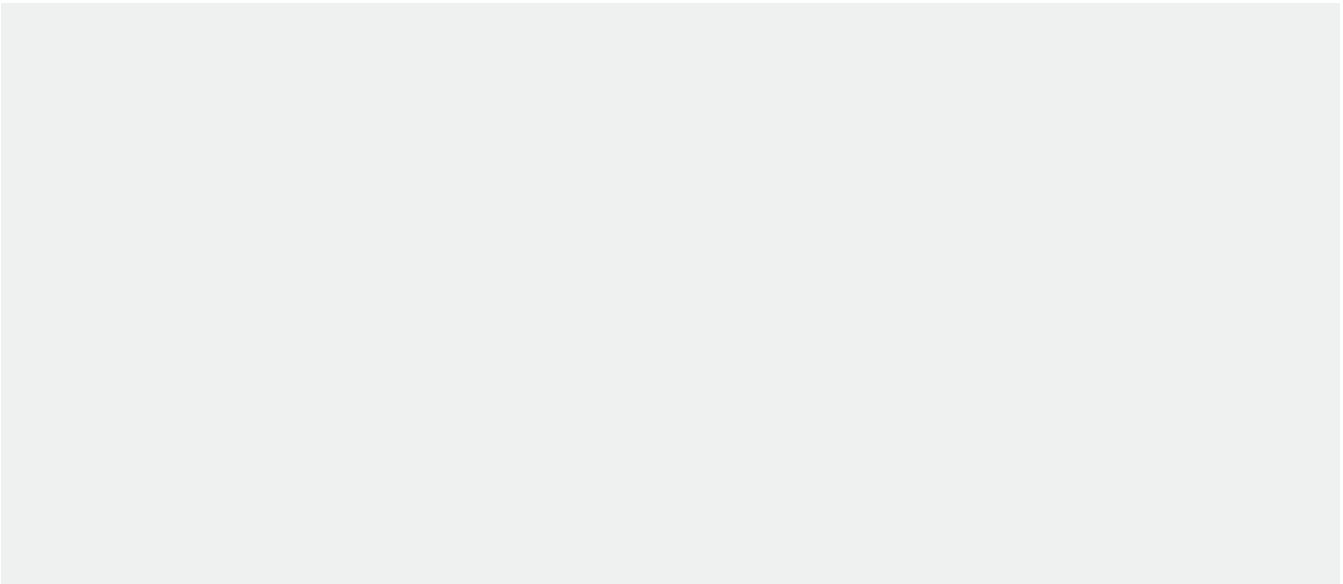
352,700 lb + 88,200 lb ZB		39.4 - 118.1 ft				25'7"				360°				ISO			
ft	216.5 ft								236.2 ft								
	SH/LH + LF2 SGLmax.				SH/LH + LF2				SH/LH + LF2 SGLmax.				SH/LH + LF2				
	39.4 ft		78.7 ft		118.1 ft		39.4 ft		78.7 ft		118.1 ft		39.4 ft		78.7 ft		118.1 ft
	10°	15°	10°	10°	30°	10°	30°	10°	15°	10°	10°	30°	10°	30°	10°	30°	
	1,000 lb																
36.1	-	-	201.7	-	-	-	-	-	-	-	-	-	-	-	-	-	
39.4	-	-	201.7	-	-	-	-	-	-	-	-	-	-	-	-	-	
42.7	246.9	-	201.7	-	-	-	-	-	-	-	-	-	-	-	-	-	
45.9	244.7	224.9	199.5	119.0	-	-	-	242.5	-	185.2	-	-	-	-	-	-	
49.2	240.3	222.7	196.2	119.0	-	-	-	240.3	220.5	183.0	113.5	-	-	-	-	-	
52.5	238.1	219.4	194.0	119.0	-	-	-	238.1	220.5	180.8	113.5	-	-	-	-	-	
59.1	231.5	215.0	188.5	116.8	-	73.4	-	233.7	217.2	175.3	112.4	-	71.4	-	-	-	
65.6	201.7	203.9	181.9	113.5	-	73.4	-	200.6	201.7	169.8	109.1	-	71.4	-	-	-	
72.2	175.3	177.5	163.1	111.3	43.0	73.0	-	173.1	175.3	156.5	106.0	-	70.8	-	-	-	
78.7	154.3	155.4	147.7	108.0	41.4	72.3	-	152.1	154.3	142.2	102.7	41.7	70.3	-	-	-	
85.3	136.7	137.8	134.5	101.9	40.1	71.9	-	134.5	136.7	129.0	99.9	40.3	69.9	-	-	-	
91.9	122.4	123.5	123.5	96.3	38.8	69.0	-	120.2	121.3	117.9	97.2	39.0	69.2	-	-	-	
98.4	110.2	111.3	111.3	91.3	37.7	65.3	24.7	108.7	109.8	108.7	94.4	37.9	67.2	24.7	-	-	
111.5	91.3	92.2	92.2	82.5	35.5	58.9	23.1	89.1	90.2	90.2	85.8	35.9	60.6	23.1	-	-	
124.7	76.5	77.2	77.4	75.4	33.7	53.4	21.6	74.1	75.0	75.2	78.5	34.2	55.1	21.8	-	-	
137.8	64.8	65.3	65.7	69.2	32.2	48.7	20.5	62.4	63.1	63.5	67.9	32.6	50.7	20.5	-	-	
150.9	55.1	55.8	56.2	60.2	30.6	45.0	19.2	52.5	53.1	53.6	58.2	31.1	46.7	19.4	-	-	
164.0	47.0	47.4	48.1	52.2	29.5	41.4	18.3	44.1	44.8	45.4	50.3	30.0	43.2	18.5	-	-	
177.2	39.9	40.3	41.2	45.4	28.4	38.6	17.4	37.3	37.7	38.4	43.0	28.9	40.1	17.6	-	-	
190.3	34.2	34.6	35.3	39.5	27.3	36.2	16.5	31.3	31.7	32.4	37.0	27.8	37.7	16.8	-	-	
203.4	29.1	29.5	30.2	34.2	26.7	33.7	15.9	26.2	26.7	27.6	31.7	27.1	34.4	16.1	-	-	
216.5	24.9	25.1	26.0	29.8	26.0	31.7	15.4	21.8	22.3	23.1	27.1	26.5	29.8	15.7	-	-	
219.8	23.8	24.0	25.1	28.8	-	30.9	15.3	20.9	21.3	22.2	26.1	26.2	28.8	15.5	-	-	
229.7	-	-	22.3	25.8	-	28.2	14.8	18.1	18.3	19.4	23.1	25.4	25.8	15.0	-	-	
232.9	-	-	-	24.9	-	27.3	14.7	17.2	17.5	18.6	22.3	-	24.9	14.9	-	-	
236.2	-	-	-	24.0	-	26.3	14.6	-	16.8	17.7	21.4	-	24.0	14.8	-	-	
242.8	-	-	-	22.3	-	24.5	14.3	-	-	16.1	19.6	-	22.3	14.6	-	-	
255.9	-	-	-	19.2	-	21.4	14.1	-	-	-	16.5	-	19.0	14.1	-	-	
269.0	-	-	-	-	-	18.5	-	-	-	-	13.9	-	16.1	13.9	-	-	
282.2	-	-	-	-	-	16.1	-	-	-	-	11.5	-	13.7	-	-	-	
295.3	-	-	-	-	-	13.7	-	-	-	-	-	-	11.2	-	-	-	
308.4	-	-	-	-	-	-	-	-	-	-	-	-	9.3	-	-	-	
321.5	-	-	-	-	-	-	-	-	-	-	-	-	7.3	-	-	-	



SH / LH + LF2

352,700 lb + 88,200 lb ZB 39.4 - 118.1 ft 25'7" 360° ISO

ft	255.9 ft								275.6 ft								
	SH/LH + LF2 SGLmax.				SH/LH + LF2				SH/LH + LF2 SGLmax.				SH/LH + LF2				
	39.4 ft		78.7 ft		118.1 ft		39.4 ft		78.7 ft		118.1 ft		39.4 ft		78.7 ft		118.1 ft
	10°	15°	10°	10°	30°	10°	30°	10°	15°	10°	10°	30°	10°	30°	10°	30°	
39.4	-	-	164.2	-	-	-	-	-	-	-	-	-	-	-	-	-	
42.7	-	-	164.2	-	-	-	-	-	-	148.8	-	-	-	-	-	-	
45.9	-	-	164.2	-	-	-	-	-	-	148.8	-	-	-	-	-	-	
49.2	229.3	-	162.0	103.0	-	-	-	-	-	148.8	-	-	-	-	-	-	
52.5	227.1	212.7	159.8	103.0	-	-	-	206.1	-	146.6	96.1	-	-	-	-	-	
55.8	224.9	210.5	157.6	103.0	-	-	-	205.0	191.8	144.4	96.1	-	-	-	-	-	
59.1	222.7	209.4	155.4	103.0	-	-	-	202.8	190.7	142.2	96.1	-	-	-	-	-	
62.3	213.8	208.3	153.2	101.6	-	67.5	-	201.7	188.5	140.0	94.8	-	-	65.0	-	-	
65.6	198.4	200.6	151.0	100.3	-	67.5	-	197.3	187.4	137.8	93.5	-	-	65.0	-	-	
72.2	172.0	173.1	146.6	97.4	-	67.2	-	169.8	172.0	133.4	91.1	-	-	65.0	-	-	
78.7	149.9	152.1	136.7	94.8	41.7	66.4	-	148.8	149.9	130.1	88.4	41.9	63.7	-	-	-	
85.3	132.3	134.5	124.6	92.2	40.6	65.7	-	131.2	132.3	120.2	86.0	40.6	62.4	-	-	-	
91.9	117.9	120.2	113.5	89.9	39.2	64.8	-	116.8	117.9	109.6	83.6	39.5	61.1	-	-	-	
98.4	106.5	107.8	104.7	88.0	38.4	63.9	24.7	104.7	106.0	100.3	81.6	38.4	59.7	24.7	-	-	
111.5	86.9	88.0	88.6	83.6	36.4	61.3	23.1	85.1	86.2	84.7	77.6	36.6	57.1	23.4	-	-	
124.7	71.9	72.8	73.6	77.4	34.6	56.9	21.8	70.1	71.0	71.7	73.9	34.8	54.5	22.0	-	-	
137.8	60.0	60.8	61.7	66.4	33.1	52.2	20.7	57.8	58.9	59.5	63.5	33.3	51.8	20.7	-	-	
150.9	49.6	50.5	51.8	56.7	31.5	48.3	19.6	47.6	48.5	49.4	54.9	32.0	49.8	19.8	-	-	
164.0	41.4	42.1	43.4	48.3	30.4	44.8	18.7	39.2	39.9	41.0	46.3	30.6	46.3	19.0	-	-	
177.2	34.4	35.1	36.4	41.2	29.3	41.7	17.9	32.2	32.8	34.2	39.0	29.5	42.3	18.1	-	-	
190.3	28.4	28.9	30.4	35.1	28.2	38.1	17.0	26.2	26.9	28.2	33.1	28.7	36.2	17.2	-	-	
203.4	23.4	23.8	25.4	29.8	27.6	32.8	16.3	21.2	21.6	23.1	27.8	27.8	30.6	16.5	-	-	
216.5	19.0	19.4	21.2	25.4	26.7	28.0	15.9	16.8	17.2	18.7	23.1	26.2	26.0	15.9	-	-	
229.7	15.2	15.4	17.2	21.4	23.8	24.0	15.2	13.0	13.2	14.8	19.2	22.0	22.0	15.4	-	-	
242.8	11.9	12.1	13.9	17.9	20.1	20.3	14.8	9.5	9.9	11.5	15.7	18.1	18.3	15.0	-	-	
249.3	10.4	10.7	12.5	16.3	-	18.7	14.6	8.0	8.4	10.0	14.0	16.3	16.6	14.8	-	-	
252.6	-	9.9	11.7	15.5	-	18.0	14.4	7.3	7.6	9.3	13.2	15.4	15.8	14.7	-	-	
255.9	-	-	11.0	14.8	-	17.2	14.3	6.6	6.8	8.6	12.3	14.6	15.0	14.6	-	-	
262.5	-	-	-	13.3	-	15.8	14.2	-	5.5	7.3	11.0	-	13.6	14.3	-	-	
269.0	-	-	-	11.9	-	14.3	14.1	-	-	6.0	9.7	-	12.1	14.1	-	-	
282.2	-	-	-	9.5	-	11.7	13.7	-	-	-	7.1	-	9.7	12.6	-	-	
295.3	-	-	-	7.3	-	9.5	-	-	-	-	-	-	7.3	9.9	-	-	
308.4	-	-	-	-	-	7.3	-	-	-	-	-	-	-	-	-	-	





SH / LH + LF2

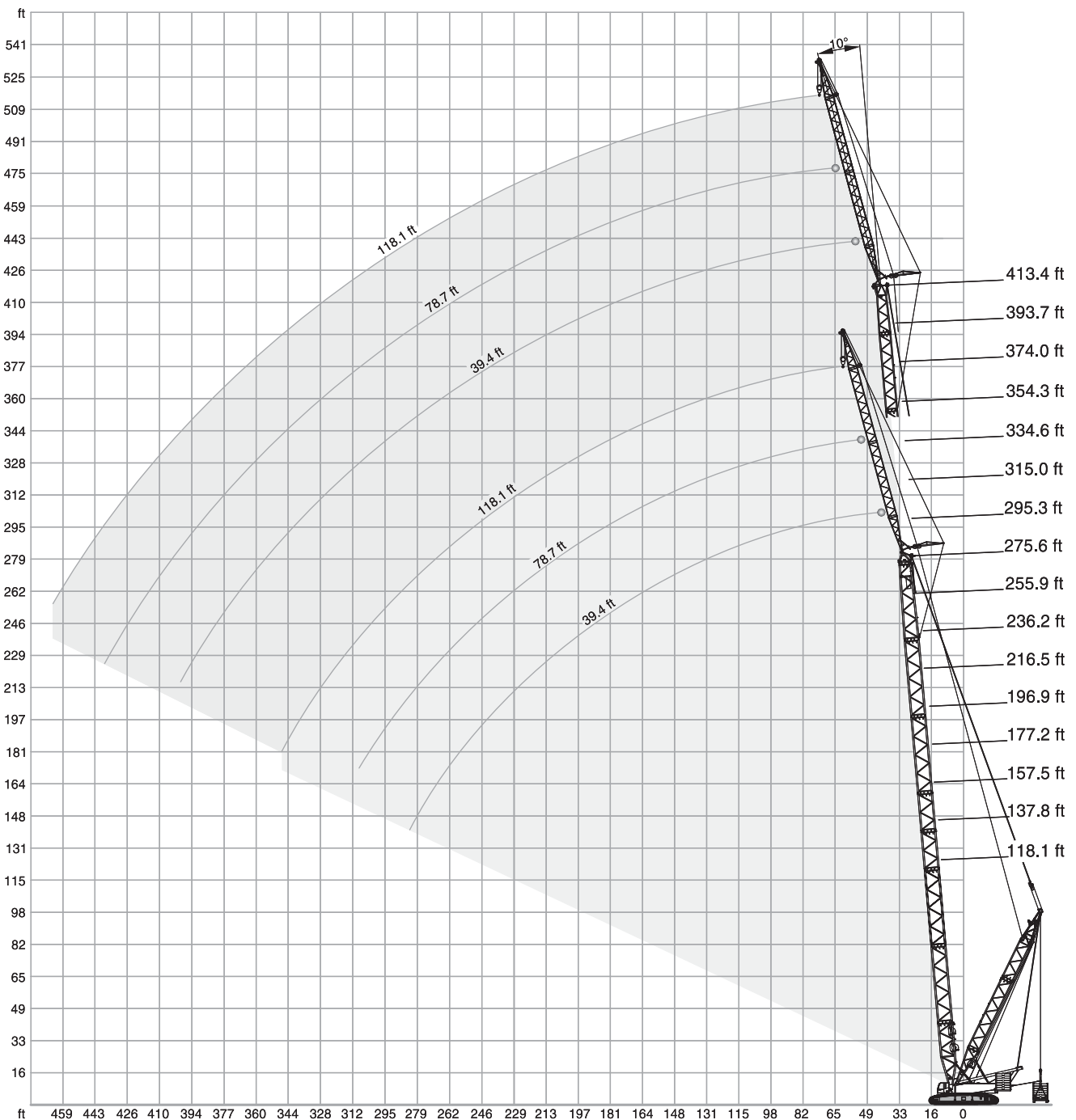
352,700 lb + 88,200 lb ZB	39.4 - 118.1 ft	25'7"	360°	ISO
---------------------------	-----------------	-------	------	-----

ft	295.3 ft								315.0 ft								
	SH/LH + LF2 SGLmax.				SH/LH + LF2				SH/LH + LF2 SGLmax.				SH/LH + LF2				
	39.4 ft		78.7 ft		118.1 ft		39.4 ft		78.7 ft		118.1 ft		39.4 ft		78.7 ft		118.1 ft
	10°	15°	10°	10°	30°	10°	30°	10°	15°	10°	10°	30°	10°	30°	10°	30°	
	1,000 lb																
42.7	-	-	123.5	-	-	-	-	-	-	-	-	-	-	-	-	-	
45.9	-	-	123.5	-	-	-	-	-	-	-	116.8	-	-	-	-	-	
52.5	192.9	-	123.5	-	-	-	-	-	-	-	116.8	-	-	-	-	-	
55.8	190.7	180.8	121.3	79.6	-	-	-	177.5	-	114.6	75.2	-	-	-	-	-	
59.1	188.5	179.7	119.0	79.6	-	-	-	176.4	168.7	113.5	75.2	-	-	-	-	-	
65.6	184.1	177.5	115.7	78.5	-	54.7	-	172.0	165.3	110.2	75.2	-	52.5	-	-	-	
72.2	167.6	169.8	111.3	76.1	-	54.7	-	166.4	163.1	107.4	73.2	-	52.5	-	-	-	
78.7	146.6	148.8	108.2	73.6	41.9	54.0	-	144.4	146.6	104.1	71.0	-	51.8	-	-	-	
85.3	129.0	131.2	105.4	71.2	40.8	52.5	-	126.8	129.0	101.0	69.0	40.8	50.5	-	-	-	
91.9	114.6	115.7	102.5	68.8	39.7	50.9	-	112.4	113.5	98.3	66.8	39.7	49.2	-	-	-	
98.4	102.7	104.1	97.4	67.0	38.6	49.6	-	100.5	102.1	92.8	65.0	38.8	47.8	-	-	-	
105.0	92.8	94.1	89.8	65.3	37.7	48.2	24.0	90.6	92.0	85.4	63.4	37.9	46.5	24.0	-	-	
111.5	82.9	84.2	82.2	63.5	36.8	46.7	23.4	80.7	82.0	78.0	61.7	37.0	45.2	23.4	-	-	
124.7	67.7	69.0	69.9	59.7	35.1	44.3	22.0	65.0	66.4	65.9	58.6	35.3	43.0	22.0	-	-	
137.8	55.1	56.2	58.6	57.5	33.5	42.1	20.9	52.5	53.6	55.8	56.0	34.0	41.0	20.9	-	-	
150.9	45.0	45.9	48.5	53.1	32.2	40.1	19.8	42.1	43.2	46.1	49.8	32.6	39.0	20.1	-	-	
164.0	36.4	37.3	40.1	45.4	31.1	38.8	19.0	33.7	34.6	37.7	42.5	31.3	37.7	19.2	-	-	
177.2	29.5	30.2	33.1	38.1	30.0	37.3	18.1	26.7	27.6	30.6	35.9	30.2	36.4	18.3	-	-	
190.3	23.4	24.0	27.1	32.0	29.1	35.1	17.4	20.7	21.4	24.7	29.8	29.3	32.8	17.6	-	-	
203.4	18.3	19.0	22.0	26.7	28.2	29.8	16.8	15.7	16.1	19.4	24.5	28.4	27.6	17.0	-	-	
216.5	13.9	14.3	17.6	22.3	25.6	25.1	16.1	11.0	11.7	15.0	19.8	23.6	22.9	16.3	-	-	
229.7	10.1	10.6	13.9	18.1	21.2	20.9	15.7	7.3	7.7	11.2	15.7	19.2	18.7	15.7	-	-	
236.2	8.4	8.8	12.2	16.3	19.3	19.2	15.3	5.5	6.0	9.5	13.9	17.2	16.9	15.4	-	-	
242.8	6.6	7.1	10.6	14.6	17.4	17.4	15.0	-	-	7.7	12.1	15.2	15.0	15.2	-	-	
249.3	-	5.5	9.0	13.0	15.7	15.8	14.8	-	-	-	10.6	13.4	13.3	15.0	-	-	
255.9	-	-	7.5	11.5	13.9	14.1	14.6	-	-	-	9.0	11.7	11.7	14.8	-	-	
269.0	-	-	-	8.6	10.8	11.2	14.3	-	-	-	6.2	8.6	8.8	12.8	-	-	
282.2	-	-	-	6.2	-	8.6	11.9	-	-	-	-	5.7	6.2	9.9	-	-	
295.3	-	-	-	-	-	6.2	9.0	-	-	-	-	-	-	7.1	-	-	
308.4	-	-	-	-	-	-	6.6	-	-	-	-	-	-	-	-	-	
321.5	-	-	-	-	-	-	-	-	-	-	-	-	-	-	-	-	



SSL + LF2, SSL/LSL + LF2

10°



**SSL + LF2**

352,700 lb + 88,200 lb ZB
 32'10" - 52'6"
 0 - 551,000 lb
 25'7"
 360°
 ISO

ft	118.1 ft						137.8 ft					
	39.4 ft	78.7 ft	118.1 ft	39.4 ft	78.7 ft	118.1 ft	39.4 ft	78.7 ft	118.1 ft	39.4 ft	78.7 ft	118.1 ft
	10°	15°	10°	30°	10°	30°	10°	15°	10°	30°	10°	30°
	1,000 lb											
29.5	255.7	-	-	-	-	-	-	-	-	-	-	-
32.8	255.7	244.7	-	-	-	-	255.7	-	-	-	-	-
36.1	255.7	229.3	-	-	-	-	255.7	238.1	-	-	-	-
39.4	255.7	217.2	153.2	-	-	-	255.7	224.9	-	-	-	-
42.7	255.7	206.1	153.2	-	-	-	255.7	215.0	153.2	-	-	-
45.9	244.7	196.2	148.8	-	-	-	255.7	205.0	152.1	-	-	-
49.2	231.5	186.3	140.0	-	94.6	-	246.9	196.2	146.6	-	-	-
52.5	219.4	178.6	132.3	-	94.6	-	233.7	187.4	138.9	-	93.9	-
59.1	198.4	163.1	119.0	-	91.7	-	212.7	173.1	125.7	-	92.6	-
65.6	180.8	151.0	108.9	53.1	84.0	-	195.1	160.9	114.6	53.8	87.5	-
72.2	166.4	140.0	99.9	50.0	76.7	-	179.7	149.9	105.8	50.9	80.2	-
78.7	154.3	131.2	92.2	47.6	70.5	-	167.6	140.0	97.9	48.5	73.9	-
85.3	143.3	123.5	85.3	45.2	65.3	-	155.4	132.3	91.1	46.3	68.6	-
91.9	134.5	116.8	79.6	43.0	60.6	30.9	146.6	124.6	85.1	44.3	63.9	31.3
98.4	125.7	110.2	74.5	41.2	56.4	29.3	137.8	119.0	79.8	42.3	59.7	29.8
111.5	112.4	100.3	66.1	37.9	49.8	26.7	123.5	108.2	71.0	39.2	52.7	27.1
124.7	102.5	92.2	59.3	35.3	44.3	24.5	111.3	99.4	63.9	36.6	47.2	24.9
137.8	94.4	85.8	54.0	33.1	39.9	22.5	103.0	92.2	58.2	34.4	42.5	23.1
144.4	90.8	83.1	51.6	32.2	37.9	21.6	99.0	89.3	55.6	33.3	40.6	22.3
150.9	-	-	49.4	31.3	36.2	20.9	95.5	86.4	53.4	32.4	38.6	21.6
164.0	-	-	45.6	29.8	33.1	19.4	89.3	82.0	49.4	30.9	35.5	20.3
177.2	-	-	42.5	-	30.4	18.3	-	-	45.9	29.8	32.6	19.0
190.3	-	-	-	-	28.2	17.4	-	-	43.0	-	30.4	18.1
203.4	-	-	-	-	26.5	16.8	-	-	-	-	28.2	17.2
216.5	-	-	-	-	24.9	-	-	-	-	-	26.5	16.5
229.7	-	-	-	-	-	-	-	-	-	-	25.1	-
242.8	-	-	-	-	-	-	-	-	-	-	-	-

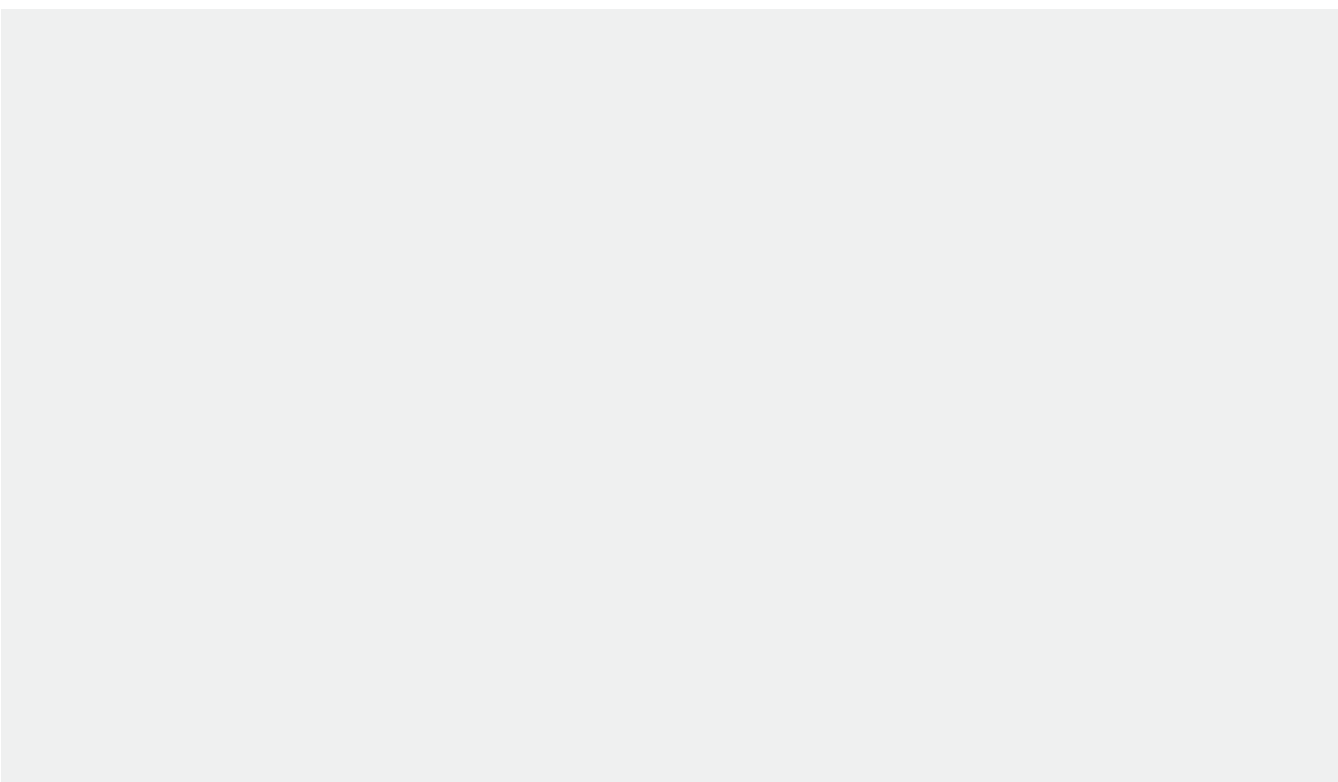
3



SSL + LF2

352,700 lb + 88,200 lb ZB
 32'10"-52'6"
 0 - 551,000 lb
 25'7"
 360°
 ISO

ft	157.5 ft						177.2 ft					
	39.4 ft	78.7 ft	118.1 ft	39.4 ft	78.7 ft	118.1 ft	39.4 ft	78.7 ft	118.1 ft	39.4 ft	78.7 ft	118.1 ft
	10°	15°	10°	30°	10°	30°	10°	15°	10°	30°	10°	30°
	1,000 lb											
32.8	255.7	-	-	-	-	-	-	-	-	-	-	-
36.1	255.7	244.7	-	-	-	-	255.7	-	-	-	-	-
39.4	255.7	233.7	-	-	-	-	255.7	240.3	-	-	-	-
42.7	255.7	222.7	151.0	-	-	-	255.7	229.3	-	-	-	-
45.9	255.7	212.7	151.0	-	-	-	255.7	220.5	148.8	-	-	-
52.5	249.1	196.2	144.4	-	93.7	-	255.7	203.9	146.6	-	-	-
55.8	238.1	188.5	137.8	-	93.7	-	249.1	196.2	143.3	-	91.9	-
59.1	227.1	181.9	131.2	-	92.4	-	240.3	189.6	136.7	-	91.9	-
65.6	208.3	169.8	120.2	-	90.2	-	220.5	177.5	125.7	-	89.9	-
72.2	192.9	158.7	111.3	51.6	83.3	-	205.0	166.4	116.8	52.2	86.4	-
78.7	179.7	148.8	103.4	49.4	77.2	-	190.7	156.5	108.5	50.0	80.0	-
85.3	167.6	140.0	96.3	47.2	71.7	-	178.6	147.7	101.4	48.1	74.7	-
91.9	157.6	133.4	90.4	45.2	67.0	31.5	168.7	140.0	95.2	46.1	69.9	32.0
98.4	148.8	126.8	84.9	43.4	62.6	30.2	158.7	133.4	89.5	44.3	65.5	30.4
111.5	133.4	114.6	75.6	40.3	55.6	27.8	143.3	122.4	80.0	41.4	58.2	28.2
124.7	121.3	106.3	68.3	37.7	49.8	25.6	130.1	112.4	72.5	38.8	52.5	26.0
137.8	111.3	98.5	62.2	35.5	45.0	23.8	119.0	104.7	66.1	36.6	47.4	24.3
150.9	103.2	92.2	57.1	33.5	41.0	22.3	110.2	97.9	60.8	34.6	43.4	22.7
164.0	96.1	87.1	52.9	32.0	37.7	20.7	103.2	92.2	56.2	32.8	39.9	21.4
177.2	90.6	82.9	49.2	30.6	34.8	19.6	96.8	87.3	52.5	31.5	36.8	20.3
190.3	-	-	46.1	29.5	32.4	18.5	91.5	83.6	49.2	30.4	34.2	19.2
203.4	-	-	43.4	-	30.2	17.9	-	-	46.3	29.5	32.0	18.3
216.5	-	-	41.2	-	28.2	17.0	-	-	43.7	-	30.0	17.4
229.7	-	-	-	-	26.7	16.5	-	-	41.7	-	28.2	17.0
242.8	-	-	-	-	25.4	-	-	-	-	-	26.7	16.3
255.9	-	-	-	-	-	-	-	-	-	-	25.4	-
269.0	-	-	-	-	-	-	-	-	-	-	24.3	-



**SSL + LF2**

352,700 lb + 88,200 lb ZB
 32'10" - 52'6"
 0 - 551,000 lb
 25'7"
 360°
 ISO

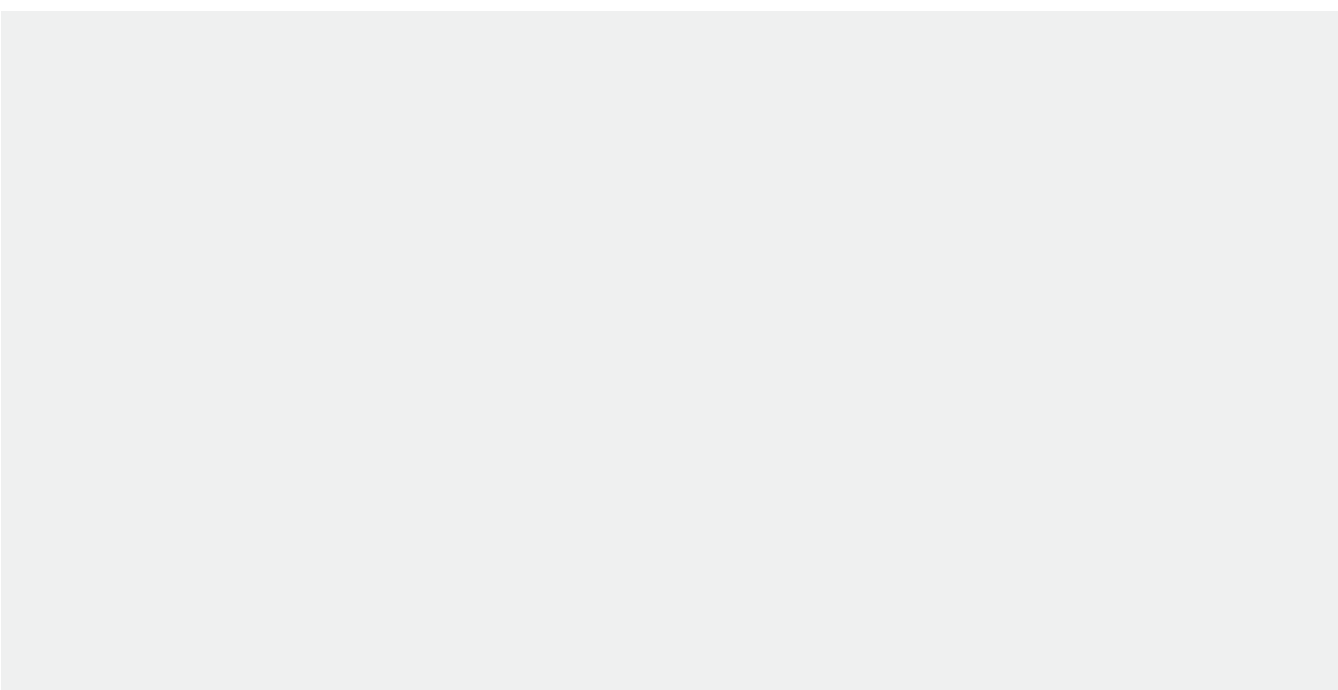
ft	196.9 ft						216.5 ft					
	39.4 ft	78.7 ft	118.1 ft	39.4 ft	78.7 ft	118.1 ft	39.4 ft	78.7 ft	118.1 ft	39.4 ft	78.7 ft	118.1 ft
	10°	15°	10°	30°	10°	30°	10°	15°	10°	30°	10°	30°
	1,000 lb											
36.1	255.7	-	-	-	-	-	-	-	-	-	-	-
39.4	255.7	244.7	-	-	-	-	255.7	-	-	-	-	-
42.7	255.7	235.9	-	-	-	-	255.7	240.3	-	-	-	-
45.9	255.7	227.1	145.5	-	-	-	255.7	231.5	-	-	-	-
49.2	255.7	218.3	145.5	-	-	-	255.7	222.7	142.2	-	-	-
52.5	255.7	210.5	144.4	-	-	-	255.7	216.1	142.2	-	-	-
55.8	255.7	202.8	143.3	-	91.1	-	255.7	209.4	141.1	-	-	-
59.1	251.3	196.2	142.2	-	91.1	-	255.7	202.8	141.1	-	89.5	-
65.6	231.5	184.1	131.2	-	89.3	-	242.5	190.7	135.6	-	88.6	-
72.2	216.1	173.1	121.3	52.7	87.3	-	227.1	179.7	125.7	53.1	86.9	-
78.7	201.7	163.1	112.4	50.7	82.9	-	211.6	169.8	117.9	51.1	85.3	-
85.3	189.6	155.4	106.0	48.7	77.4	-	199.5	160.9	110.2	49.2	80.0	-
91.9	178.6	147.7	99.6	47.0	72.5	-	188.5	153.2	104.1	47.4	75.2	-
98.4	168.7	140.0	93.9	45.2	68.1	30.9	177.5	146.6	98.3	45.9	70.8	31.1
111.5	152.1	127.9	84.4	42.3	60.8	28.4	160.9	134.5	88.4	43.0	63.3	28.7
124.7	138.9	117.9	76.5	39.7	54.9	26.5	146.6	124.6	80.2	40.6	57.1	26.9
137.8	126.8	110.2	69.9	37.5	49.8	24.7	134.5	115.7	73.4	38.4	52.0	25.1
150.9	117.9	103.4	64.4	35.5	45.6	23.1	124.6	108.5	67.7	36.4	47.6	23.6
164.0	110.0	97.2	59.5	34.0	41.9	21.8	116.8	102.1	62.8	34.6	43.9	22.3
177.2	103.2	92.2	55.6	32.4	38.8	20.7	109.6	96.8	58.4	33.3	40.8	21.2
190.3	97.4	87.7	52.0	31.1	36.2	19.6	103.2	91.9	54.9	32.0	37.9	20.1
203.4	92.4	84.0	48.9	30.2	33.7	18.7	97.9	88.0	51.6	30.9	35.5	19.2
216.5	-	81.1	46.3	29.3	31.7	17.9	91.9	84.4	48.7	30.0	33.3	18.3
229.7	-	-	44.1	-	29.8	17.2	84.2	81.6	46.3	29.1	31.3	17.6
242.8	-	-	42.1	-	28.2	16.8	-	-	44.1	-	29.8	17.0
255.9	-	-	-	-	26.9	16.3	-	-	42.3	-	28.2	16.5
269.0	-	-	-	-	25.6	-	-	-	40.8	-	26.9	16.1
282.2	-	-	-	-	24.5	-	-	-	-	-	25.6	-
295.3	-	-	-	-	-	-	-	-	-	-	24.7	-



SSL + LF2

352,700 lb + 88,200 lb ZB
 32'10" - 52'6"
 0 - 551,000 lb
 25'7"
 360°
 ISO

ft	236.2 ft						255.9 ft					
	39.4 ft		78.7 ft		118.1 ft		39.4 ft		78.7 ft		118.1 ft	
	10°	15°	10°	30°	10°	30°	10°	15°	10°	30°	10°	30°
	1,000 lb											
39.4	224.9	-	-	-	-	-	-	-	-	-	-	-
42.7	224.9	224.9	-	-	-	-	224.9	-	-	-	-	-
45.9	224.9	224.9	-	-	-	-	224.9	224.9	-	-	-	-
49.2	224.9	224.9	138.9	-	-	-	224.9	224.9	-	-	-	-
52.5	224.9	220.5	138.9	-	-	-	224.9	224.9	134.5	-	-	-
59.1	224.9	208.3	137.8	-	87.3	-	224.9	213.8	133.4	-	-	-
62.3	224.9	201.7	136.7	-	87.3	-	224.9	207.2	133.4	-	84.7	-
65.6	224.9	196.2	135.6	-	87.3	-	224.9	201.7	132.3	-	84.7	-
72.2	224.9	185.2	130.1	-	85.8	-	224.9	190.7	131.2	-	83.6	-
78.7	220.5	176.4	121.3	51.6	84.4	-	224.9	181.9	125.7	51.8	82.5	-
85.3	208.3	167.6	114.6	49.8	82.5	-	217.2	173.1	117.9	50.0	81.6	-
91.9	197.3	159.8	108.0	48.1	77.4	-	206.1	165.3	111.3	48.5	79.8	-
98.4	186.3	152.1	102.3	46.5	73.2	31.1	195.1	157.6	106.0	47.0	75.4	31.3
111.5	168.7	140.0	92.2	43.7	65.5	29.1	177.5	145.5	95.9	44.3	67.7	29.3
124.7	154.3	130.1	83.8	41.2	59.3	27.1	162.0	134.5	87.3	41.9	61.5	27.3
137.8	142.2	121.3	76.9	39.0	54.2	25.6	148.8	125.7	80.2	39.7	56.2	25.8
150.9	132.3	113.5	71.0	37.0	49.6	24.0	138.9	117.9	74.1	37.9	51.6	24.3
164.0	122.4	106.9	65.9	35.5	45.9	22.7	129.0	111.3	68.8	36.2	47.8	23.1
177.2	115.7	101.2	61.5	34.0	42.5	21.6	117.9	105.6	64.4	34.6	44.3	21.8
190.3	108.5	96.1	57.5	32.6	39.7	20.5	106.7	100.3	60.4	33.3	41.4	20.9
203.4	98.3	91.7	54.2	31.5	37.0	19.6	96.3	95.7	56.9	32.2	38.8	20.1
216.5	89.3	88.0	51.4	30.4	34.8	18.7	87.3	87.7	53.8	31.1	36.4	19.2
229.7	81.6	81.8	48.7	29.8	32.8	18.1	79.6	79.8	50.9	30.2	34.4	18.3
242.8	74.7	75.0	46.3	28.9	31.1	17.4	72.8	73.0	48.5	29.5	32.6	17.6
255.9	-	-	44.3	-	29.5	16.8	66.4	66.6	46.3	28.9	30.9	17.2
269.0	-	-	42.5	-	28.0	16.3	-	-	44.5	-	29.3	16.8
282.2	-	-	41.0	-	26.9	16.1	-	-	42.8	-	28.0	16.3
295.3	-	-	-	-	25.8	-	-	-	41.2	-	26.9	15.9
308.4	-	-	-	-	24.7	-	-	-	-	-	25.8	-
321.5	-	-	-	-	24.0	-	-	-	-	-	24.9	-
334.6	-	-	-	-	-	-	-	-	-	-	24.0	-





SSL + LF2

352,700 lb + 88,200 lb ZB
 32'10"-52'6"
 0 - 551,000 lb
 25'7"
 360°
ISO

ft	1,000 lb					
	10°	15°	10°	30°	10°	30°
42.7	195.1	-	-	-	-	-
45.9	195.1	195.1	-	-	-	-
52.5	195.1	195.1	130.1	-	-	-
59.1	195.1	195.1	129.0	-	-	-
62.3	195.1	195.1	129.0	-	81.4	-
65.6	195.1	195.1	127.9	-	81.4	-
72.2	195.1	195.1	126.8	-	80.9	-
78.7	195.1	186.3	126.8	52.2	80.2	-
85.3	195.1	177.5	122.4	50.5	79.6	-
91.9	195.1	169.8	115.7	48.9	78.9	-
98.4	195.1	163.1	109.6	47.4	77.6	-
105.0	194.0	156.5	104.3	46.1	73.4	30.4
111.5	185.2	149.9	99.2	44.8	69.9	29.3
124.7	168.7	140.0	90.6	42.5	63.5	27.6
137.8	156.5	130.1	83.3	40.3	58.2	26.0
150.9	145.5	122.4	77.2	38.6	53.6	24.7
164.0	130.1	115.7	71.9	36.8	49.6	23.4
177.2	115.7	109.8	67.0	35.3	46.1	22.3
190.3	104.3	104.3	63.1	34.0	43.0	21.2
203.4	93.9	94.4	59.3	32.8	40.3	20.3
216.5	84.9	85.3	56.2	31.7	37.9	19.4
229.7	77.2	77.4	53.4	30.9	35.7	18.7
242.8	69.9	70.3	50.7	30.0	34.0	18.1
255.9	63.5	63.7	48.3	29.3	32.2	17.4
269.0	57.5	58.0	46.3	28.7	30.6	17.0
282.2	52.5	52.7	44.5	-	29.3	16.5
295.3	-	-	43.0	-	28.0	16.1
308.4	-	-	41.4	-	26.9	15.9
321.5	-	-	-	-	25.8	-
334.6	-	-	-	-	24.9	-
347.8	-	-	-	-	24.0	-

3



SSL / LSL + LF2

352,700 lb + 88,200 lb ZB
 32'10"-52'6"
 0 - 551,000 lb
 25'7"
 360°
 ISO

ft	255.9 ft						275.6 ft					
	SSL/LSL + LF2						SSL/LSL + LF2					
	39.4 ft		39.4 ft		39.4 ft		39.4 ft		39.4 ft		39.4 ft	
	10°	15°	10°	30°	10°	30°	10°	15°	10°	30°	10°	30°
	1,000 lb											
42.7	224.9	-	-	-	-	-	-	-	-	-	-	-
45.9	224.9	205.0	-	-	-	-	195.1	-	-	-	-	-
49.2	224.9	199.5	-	-	-	-	195.1	188.5	-	-	-	-
52.5	224.9	194.0	131.2	-	-	-	195.1	186.3	-	-	-	-
55.8	224.9	188.5	131.2	-	-	-	195.1	184.1	123.5	-	-	-
59.1	224.9	184.1	130.1	-	-	-	195.1	181.9	123.5	-	-	-
62.3	224.9	178.6	129.0	-	82.0	-	195.1	179.7	122.4	-	-	-
65.6	224.9	175.3	124.6	-	82.0	-	194.0	177.5	121.3	-	77.8	-
72.2	217.2	166.4	117.9	-	81.4	-	188.5	173.1	119.0	-	77.6	-
78.7	205.0	159.8	111.3	41.4	79.4	-	183.0	166.4	116.8	41.9	77.2	-
85.3	195.1	152.1	105.6	40.1	75.0	-	177.5	158.7	110.2	40.6	76.5	-
91.9	185.2	146.6	100.3	39.0	71.0	-	172.0	153.2	105.4	39.5	74.3	-
98.4	176.4	141.1	95.5	37.9	67.5	-	166.4	146.6	100.3	38.4	70.5	-
105.0	169.2	136.1	91.3	37.0	64.3	23.8	162.0	141.6	95.9	37.5	67.4	24.0
111.5	162.0	131.2	87.1	36.2	61.1	23.1	157.6	136.7	91.5	36.6	64.2	23.4
124.7	148.8	122.4	80.0	34.4	56.0	21.8	151.0	127.9	84.2	34.8	58.6	22.0
137.8	138.9	114.6	73.9	32.8	51.4	20.5	143.3	120.2	77.8	33.3	54.0	20.7
150.9	129.0	108.9	68.8	31.5	47.6	19.6	135.6	113.5	72.3	32.0	49.8	19.8
164.0	121.3	103.2	64.2	30.2	44.1	18.5	127.9	107.6	67.5	30.6	46.3	19.0
177.2	114.6	98.1	60.2	29.3	41.2	17.9	120.2	102.3	63.3	29.5	43.2	18.1
190.3	108.7	93.7	56.9	28.2	38.6	17.0	108.9	97.7	59.7	28.7	40.6	17.2
203.4	100.1	89.9	53.8	27.6	36.4	16.3	98.5	93.5	56.4	27.8	38.1	16.5
216.5	91.1	86.6	50.9	26.7	34.2	15.7	89.5	89.9	53.6	27.1	35.9	15.9
229.7	83.3	83.6	48.5	26.2	32.4	15.2	81.8	82.0	50.9	26.5	34.0	15.4
242.8	76.5	76.7	46.3	25.6	30.9	14.8	74.7	75.2	48.5	25.8	32.2	15.0
255.9	70.3	70.5	44.5	25.4	29.3	14.3	68.6	69.0	46.5	25.4	30.6	14.6
269.0	-	65.0	42.8	-	28.0	14.1	63.1	63.3	44.5	25.1	29.3	14.1
282.2	-	-	41.2	-	26.9	13.9	57.8	58.0	43.0	-	28.0	13.9
295.3	-	-	39.9	-	25.8	13.7	-	-	41.4	-	26.9	13.7
308.4	-	-	-	-	24.7	-	-	-	40.3	-	25.8	13.4
321.5	-	-	-	-	24.0	-	-	-	39.2	-	24.9	-
334.6	-	-	-	-	23.4	-	-	-	-	-	24.0	-
347.8	-	-	-	-	-	-	-	-	-	-	23.4	-



SSL / LSL + LF2

352,700 lb + 88,200 lb ZB 32'10"-52'6" 0 - 551,000 lb 25'7" 360° ISO

ft	295.3 ft								315.0 ft								
	SSL/LSL + LF2				SSL/LSL + LF2				SSL/LSL + LF2				SSL/LSL + LF2				
	SGLmax.				SGLmax.				SGLmax.				SGLmax.				
	39.4 ft		78.7 ft		118.1 ft		39.4 ft		78.7 ft		118.1 ft		39.4 ft		78.7 ft		118.1 ft
	10°	15°	10°	10°	30°	10°	30°	10°	15°	10°	10°	30°	10°	30°	10°	30°	
	1,000 lb																
45.9	224.9	-	181.9	-	-	-	-	-	-	-	-	-	-	-	-	-	-
49.2	224.9	220.5	181.9	-	-	-	-	218.3	-	162.0	-	-	-	-	-	-	-
52.5	224.9	220.5	179.7	-	-	-	-	218.3	207.2	159.8	-	-	-	-	-	-	-
55.8	224.9	220.5	177.5	113.5	-	-	-	217.2	207.2	158.7	-	-	-	-	-	-	-
59.1	224.9	218.3	176.4	113.5	-	-	-	217.2	207.2	156.5	102.5	-	-	-	-	-	-
65.6	224.9	216.1	172.0	111.3	-	73.4	-	217.2	206.1	153.2	101.2	-	-	-	-	-	-
72.2	224.9	212.7	168.7	109.3	-	73.4	-	216.1	206.1	148.8	99.0	-	-	68.8	-	-	-
78.7	224.9	210.5	164.2	106.7	-	72.5	-	216.1	205.0	145.5	96.6	-	-	68.1	-	-	-
85.3	224.9	205.0	160.9	104.1	40.8	71.9	-	215.0	203.9	142.2	94.1	40.8	-	67.0	-	-	-
91.9	220.5	198.4	156.5	101.4	39.7	71.0	-	212.7	198.4	137.8	91.7	39.7	-	65.7	-	-	-
98.4	216.1	189.6	152.1	98.8	38.6	70.1	-	211.6	192.9	134.5	89.5	38.8	-	64.6	-	-	-
105.0	211.1	182.4	148.3	96.0	37.7	67.9	24.0	210.0	186.8	130.6	87.2	37.9	-	63.3	24.0	-	-
111.5	206.1	175.3	144.4	93.3	36.8	65.7	23.4	208.3	180.8	126.8	84.9	37.0	-	61.9	23.4	-	-
124.7	192.9	163.1	137.8	86.6	35.1	60.2	22.0	190.7	168.7	121.3	80.2	35.3	-	58.9	22.0	-	-
137.8	167.6	152.1	131.2	80.2	33.5	55.6	20.9	165.3	157.6	115.7	76.7	34.0	-	56.0	20.9	-	-
150.9	147.7	143.3	125.7	74.7	32.2	51.4	19.8	145.5	146.6	110.2	73.9	32.6	-	52.9	19.8	-	-
164.0	131.2	131.2	119.0	69.9	31.1	47.8	19.0	127.9	129.0	104.7	70.8	31.3	-	49.2	19.2	-	-
177.2	116.8	116.8	112.4	65.7	30.0	44.8	18.1	114.6	114.6	99.2	67.7	30.2	-	46.1	18.3	-	-
190.3	104.9	105.6	107.1	61.9	29.1	41.9	17.4	102.5	103.2	93.7	63.9	29.3	-	43.2	17.6	-	-
203.4	94.6	95.0	97.0	58.4	28.2	39.5	16.8	92.2	92.8	88.2	60.6	28.4	-	40.8	17.0	-	-
216.5	85.5	86.0	88.0	55.6	27.3	37.3	16.1	83.3	83.8	86.0	57.5	27.8	-	38.4	16.3	-	-
229.7	77.8	78.3	80.0	52.9	26.7	35.3	15.7	75.2	75.6	78.9	54.7	26.9	-	36.4	15.7	-	-
242.8	70.5	71.0	73.2	50.5	26.0	33.5	15.0	67.7	68.1	71.9	52.2	26.5	-	34.6	15.2	-	-
255.9	64.2	64.4	66.8	48.3	25.6	31.7	14.6	61.1	61.5	65.5	50.0	25.8	-	32.8	14.8	-	-
269.0	58.2	58.6	61.1	46.3	25.1	30.4	14.3	55.3	55.6	59.5	48.1	25.4	-	31.3	14.3	-	-
282.2	53.1	53.4	55.8	44.5	24.9	29.1	13.9	50.0	50.3	54.2	46.1	24.9	-	30.0	14.1	-	-
295.3	48.3	48.5	51.1	43.0	-	27.8	13.7	45.4	45.6	49.6	44.5	24.7	-	28.9	13.7	-	-
308.4	-	-	-	41.7	-	26.7	13.4	41.0	41.2	45.4	43.0	24.5	-	27.6	13.4	-	-
321.5	-	-	-	40.3	-	25.8	13.2	-	-	-	41.7	-	-	26.7	13.2	-	-
334.6	-	-	-	39.2	-	24.9	-	-	-	-	40.6	-	-	25.8	13.2	-	-
347.8	-	-	-	-	-	24.0	-	-	-	-	37.9	-	-	24.9	-	-	-
360.9	-	-	-	-	-	23.4	-	-	-	-	-	-	-	24.0	-	-	-
374.0	-	-	-	-	-	22.9	-	-	-	-	-	-	-	23.4	-	-	-
387.1	-	-	-	-	-	-	-	-	-	-	-	-	-	22.9	-	-	-
400.3	-	-	-	-	-	-	-	-	-	-	-	-	-	-	-	-	-



SSL / LSL + LF2

352,700 lb + 88,200 lb ZB 32'10"-52'6" 0 - 551,000 lb 25'7" 360° ISO

ft	334.6 ft								354.3 ft										
	SSL/LSL + LF2 SGLmax.				SSL/LSL + LF2				SSL/LSL + LF2 SGLmax.				SSL/LSL + LF2						
	39.4 ft		78.7 ft		118.1 ft		39.4 ft		78.7 ft		118.1 ft		39.4 ft		78.7 ft		118.1 ft		
	10°	15°	10°	10°	30°	10°	30°	10°	15°	10°	10°	30°	10°	30°	10°	30°	10°	30°	
49.2	195.1	-	140.0	-	-	-	-	-	-	-	-	-	-	-	-	-	-	-	-
52.5	195.1	188.5	140.0	-	-	-	-	172.0	-	125.7	-	-	-	-	-	-	-	-	-
55.8	195.1	188.5	137.8	-	-	-	-	172.0	165.3	125.7	-	-	-	-	-	-	-	-	-
59.1	195.1	188.5	136.7	92.4	-	-	-	172.0	165.3	124.6	-	-	-	-	-	-	-	-	-
62.3	195.1	188.5	134.5	92.4	-	-	-	170.9	165.3	123.5	84.4	-	-	-	-	-	-	-	-
65.6	195.1	188.5	133.4	92.4	-	-	-	170.9	165.3	122.4	84.4	-	-	-	-	-	-	-	-
72.2	195.1	188.5	130.1	90.2	-	64.8	-	169.8	164.2	120.2	82.9	-	-	59.1	-	-	-	-	-
78.7	195.1	188.5	126.8	87.7	-	64.2	-	169.8	163.1	117.9	81.4	-	-	59.1	-	-	-	-	-
85.3	195.1	187.4	123.5	85.5	40.8	62.6	-	168.7	162.0	115.7	79.8	40.8	58.2	-	-	-	-	-	-
91.9	195.1	186.3	120.2	83.3	39.9	61.3	-	167.6	162.0	112.4	78.5	39.9	57.5	-	-	-	-	-	-
98.4	195.1	185.2	115.7	80.9	38.8	60.0	-	165.3	159.8	110.2	76.9	39.0	56.7	-	-	-	-	-	-
111.5	194.0	180.8	109.6	76.9	37.0	57.1	23.4	163.1	157.6	105.6	73.6	37.3	55.1	23.1	-	-	-	-	-
124.7	188.5	173.1	104.1	72.8	35.5	54.5	22.0	159.8	154.3	100.8	70.3	35.7	53.1	22.0	-	-	-	-	-
137.8	163.1	162.0	99.2	69.0	34.2	51.6	20.9	155.4	151.0	96.8	67.0	34.4	50.9	21.2	-	-	-	-	-
150.9	143.3	144.4	94.6	66.4	32.8	48.9	20.1	141.1	142.2	92.6	64.6	33.1	48.7	20.1	-	-	-	-	-
164.0	125.7	126.8	89.7	63.5	31.7	47.0	19.2	124.6	125.7	88.6	62.2	32.0	46.7	19.2	-	-	-	-	-
177.2	111.3	112.4	85.1	60.8	30.6	45.2	18.3	110.2	111.3	84.4	59.7	30.9	45.2	18.5	-	-	-	-	-
190.3	100.3	101.0	80.2	58.2	29.5	43.4	17.6	98.3	99.2	80.2	57.3	30.0	43.4	17.9	-	-	-	-	-
203.4	89.9	90.4	75.6	55.3	28.7	41.7	17.0	88.0	88.6	76.3	55.1	29.1	41.9	17.2	-	-	-	-	-
216.5	80.7	81.4	71.4	52.7	28.0	39.7	16.3	78.5	79.1	72.1	52.7	28.2	40.3	16.5	-	-	-	-	-
229.7	72.3	73.0	70.3	49.8	27.3	37.5	15.9	70.1	70.8	69.0	50.3	27.6	38.8	15.9	-	-	-	-	-
242.8	64.8	65.5	69.2	47.4	26.7	35.7	15.4	62.6	63.3	67.7	47.8	26.9	36.8	15.4	-	-	-	-	-
255.9	58.2	58.9	63.5	46.7	26.0	34.0	15.0	56.0	56.7	61.9	46.1	26.2	35.1	15.0	-	-	-	-	-
269.0	52.5	52.9	57.5	46.1	25.6	32.4	14.6	50.3	50.7	56.2	45.4	25.8	33.5	14.6	-	-	-	-	-
282.2	47.2	47.4	52.2	45.4	25.1	31.1	14.1	45.0	45.2	50.9	45.0	25.4	32.0	14.3	-	-	-	-	-
295.3	42.3	42.8	47.6	44.5	24.9	29.8	13.9	40.1	40.6	46.1	44.3	24.9	30.6	13.9	-	-	-	-	-
308.4	38.1	38.4	43.2	43.9	24.5	28.7	13.7	35.7	36.2	41.9	43.9	24.7	29.5	13.7	-	-	-	-	-
321.5	34.2	34.4	39.5	43.0	24.5	27.6	13.4	32.0	32.2	37.9	41.7	24.5	28.4	13.4	-	-	-	-	-
334.6	30.6	30.9	35.9	39.5	-	26.5	13.2	28.4	28.7	34.4	37.9	24.3	27.3	13.2	-	-	-	-	-
347.8	-	-	-	35.9	-	25.6	13.0	25.1	25.4	31.1	34.6	-	26.5	13.0	-	-	-	-	-
360.9	-	-	-	32.8	-	24.9	-	-	-	-	31.5	-	25.6	13.0	-	-	-	-	-
374.0	-	-	-	-	-	24.0	-	-	-	-	28.7	-	24.9	12.8	-	-	-	-	-
387.1	-	-	-	-	-	23.6	-	-	-	-	26.0	-	24.0	-	-	-	-	-	-
400.3	-	-	-	-	-	22.9	-	-	-	-	-	-	23.6	-	-	-	-	-	-
413.4	-	-	-	-	-	-	-	-	-	-	-	-	22.9	-	-	-	-	-	-
426.5	-	-	-	-	-	-	-	-	-	-	-	-	20.9	-	-	-	-	-	-
439.6	-	-	-	-	-	-	-	-	-	-	-	-	-	-	-	-	-	-	-



SSL / LSL + LF2

352,700 lb + 88,200 lb ZB
 32'10"-52'6"
 0 - 551,000 lb
 25'7"
 360°
 ISO

ft	374.0 ft								393.7 ft									
	SSL/LSL + LF2 SGLmax.				SSL/LSL + LF2				SSL/LSL + LF2 SGLmax.				SSL/LSL + LF2					
	39.4 ft		78.7 ft		118.1 ft		39.4 ft		78.7 ft		118.1 ft		39.4 ft		78.7 ft		118.1 ft	
	10°	15°	10°	10°	30°	10°	30°	10°	15°	10°	10°	30°	10°	30°	10°	30°	10°	30°
1,000 lb																		
52.5	154.3	-	109.6	-	-	-	-	-	-	-	-	-	-	-	-	-	-	
55.8	154.3	148.8	109.6	-	-	-	-	138.9	-	95.7	-	-	-	-	-	-	-	
59.1	153.2	148.8	108.5	-	-	-	-	138.9	135.6	95.7	-	-	-	-	-	-	-	
62.3	153.2	148.8	107.1	74.5	-	-	-	138.9	135.6	95.0	-	-	-	-	-	-	-	
65.6	153.2	148.8	106.0	74.5	-	-	-	138.9	134.5	94.1	67.0	-	-	-	-	-	-	
72.2	152.1	147.7	103.8	73.6	-	53.6	-	137.8	134.5	92.8	66.6	-	-	-	-	-	-	
78.7	151.0	146.6	101.6	72.1	-	53.6	-	136.7	133.4	91.3	65.5	-	-	47.6	-	-	-	
85.3	149.9	145.5	99.4	70.5	-	53.1	-	135.6	132.3	89.7	64.4	-	-	47.2	-	-	-	
91.9	149.9	145.5	97.2	69.0	39.9	52.0	-	135.6	131.2	88.4	63.5	39.9	46.5	-	-	-	-	
98.4	147.7	144.4	95.0	67.5	39.0	51.1	-	134.5	130.1	86.9	62.4	39.0	45.9	-	-	-	-	
111.5	145.5	141.1	90.2	64.4	37.3	49.2	23.1	131.2	127.9	83.8	60.2	37.5	44.3	23.1	-	-	-	
124.7	142.2	137.8	85.5	61.5	35.9	47.0	22.0	127.9	124.6	80.9	58.0	35.9	42.8	22.0	-	-	-	
137.8	138.9	134.5	81.8	58.4	34.6	45.0	21.2	124.6	121.3	78.0	55.8	34.6	41.2	21.2	-	-	-	
150.9	134.5	131.2	78.3	55.8	33.3	43.0	20.3	121.3	117.9	75.6	53.4	33.5	39.5	20.3	-	-	-	
164.0	122.4	122.4	74.7	53.8	32.2	41.0	19.4	117.9	114.6	73.0	51.8	32.4	37.9	19.4	-	-	-	
177.2	108.2	109.1	71.2	51.6	31.1	39.5	18.5	105.8	106.7	70.5	50.0	31.3	36.6	18.7	-	-	-	
190.3	96.1	96.8	67.7	49.4	30.2	38.1	17.9	93.7	94.6	67.9	48.5	30.4	35.5	17.9	-	-	-	
203.4	85.3	86.2	64.2	47.4	29.3	36.6	17.2	82.7	83.6	65.5	46.7	29.5	34.2	17.2	-	-	-	
216.5	75.8	76.5	60.6	45.2	28.4	35.3	16.5	73.0	73.9	62.8	45.2	28.7	33.1	16.8	-	-	-	
229.7	67.2	67.9	57.1	43.2	27.8	33.7	16.1	64.6	65.3	60.4	43.4	28.0	32.0	16.1	-	-	-	
242.8	60.0	60.4	54.9	41.0	27.1	32.4	15.7	57.1	57.8	57.8	41.7	27.3	30.9	15.7	-	-	-	
255.9	53.4	53.8	54.0	38.8	26.5	31.1	15.2	50.5	50.9	56.2	40.1	26.7	29.8	15.2	-	-	-	
269.0	47.4	47.8	53.4	37.5	26.0	29.5	14.8	44.5	45.0	53.1	38.4	26.2	28.4	14.8	-	-	-	
282.2	42.1	42.5	48.7	36.8	25.6	28.2	14.3	39.2	39.7	47.8	37.5	25.6	27.3	14.3	-	-	-	
295.3	37.3	37.7	44.1	36.4	25.1	27.1	13.9	34.4	34.8	43.0	36.8	25.1	26.2	14.1	-	-	-	
308.4	32.8	33.3	39.7	35.9	24.7	26.7	13.7	30.0	30.4	38.8	36.4	24.9	25.6	13.7	-	-	-	
321.5	28.9	29.3	35.7	35.3	24.5	26.2	13.4	26.0	26.5	34.8	35.7	24.5	25.1	13.4	-	-	-	
334.6	25.4	25.6	32.2	34.8	24.3	25.8	13.2	22.5	22.7	31.3	35.3	24.3	24.7	13.2	-	-	-	
347.8	22.0	22.3	28.9	32.6	24.0	25.6	13.0	19.2	19.4	28.0	31.7	24.0	24.5	13.0	-	-	-	
360.9	19.2	19.4	26.0	29.5	-	25.1	12.8	16.1	16.3	24.9	28.7	24.0	24.0	12.8	-	-	-	
374.0	-	-	-	26.7	-	24.7	12.8	13.4	13.7	22.3	25.6	-	23.6	12.8	-	-	-	
387.1	-	-	-	24.0	-	24.3	12.8	10.8	11.0	19.8	22.9	-	23.4	12.6	-	-	-	
400.3	-	-	-	21.4	-	23.6	-	-	-	-	20.5	-	22.7	12.6	-	-	-	
413.4	-	-	-	-	-	21.2	-	-	-	-	18.3	-	20.3	-	-	-	-	
426.5	-	-	-	-	-	19.0	-	-	-	-	-	-	18.1	-	-	-	-	
439.6	-	-	-	-	-	17.0	-	-	-	-	-	-	16.1	-	-	-	-	
452.8	-	-	-	-	-	-	-	-	-	-	-	-	14.1	-	-	-	-	

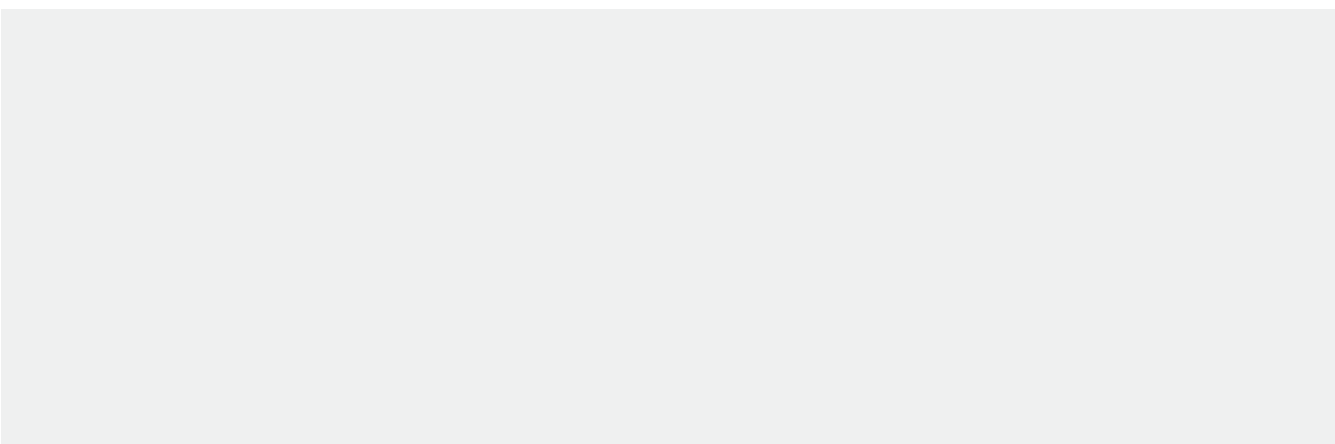
3



SSL / LSL + LF2

352,700 lb + 88,200 lb ZB
 32'10"-52'6"
 0 - 551,000 lb
 25'7"
 360°
 ISO

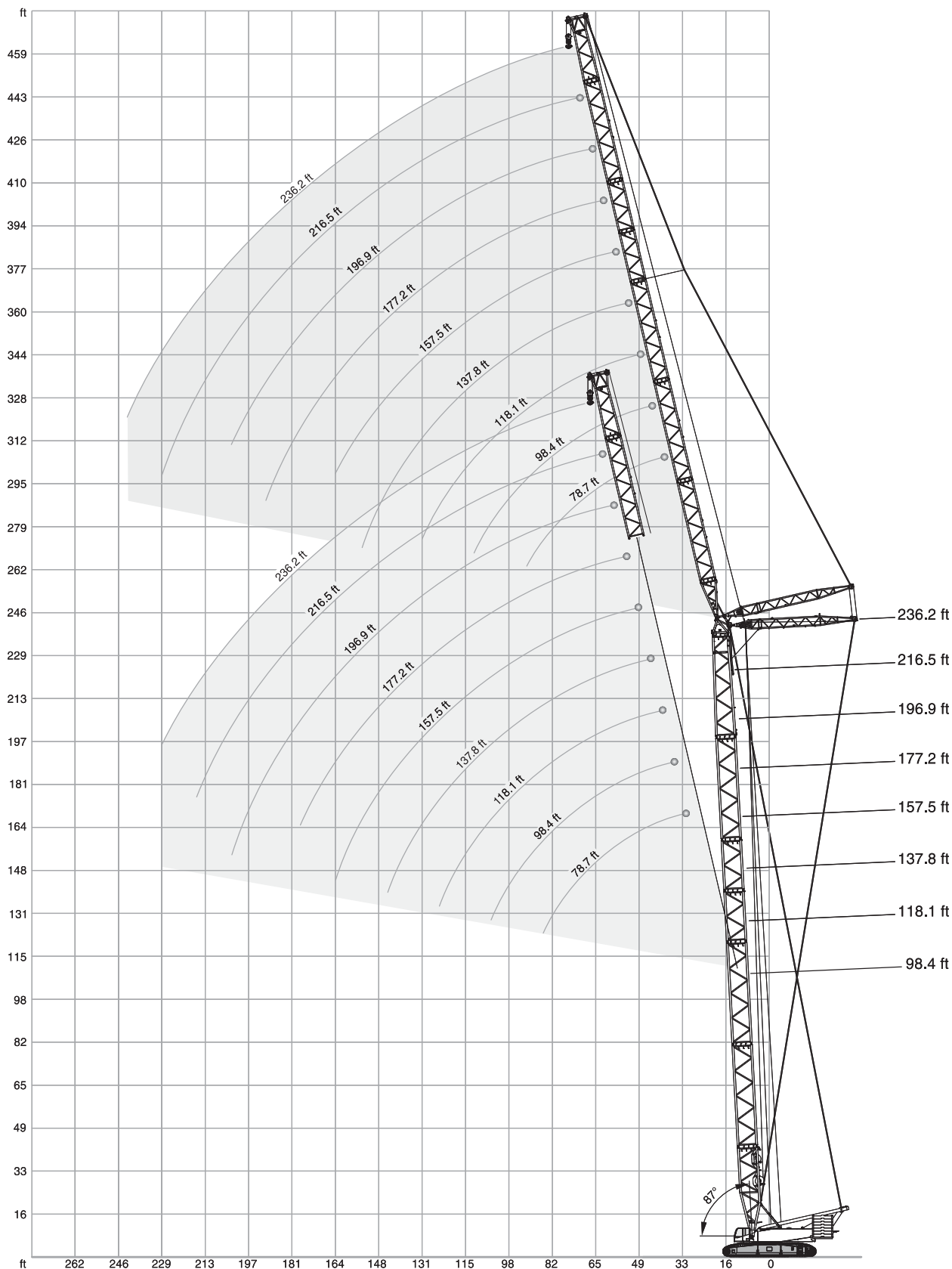
ft	1,000 lb						
55.8	124.6	-	82.2	-	-	-	-
59.1	124.6	120.2	82.2	-	-	-	-
65.6	123.5	120.2	80.9	57.8	-	-	-
72.2	122.4	119.0	79.4	57.8	-	-	-
78.7	121.3	119.0	78.0	56.9	-	41.9	-
85.3	121.3	117.9	76.7	55.8	-	41.9	-
91.9	120.2	116.8	75.2	54.9	39.9	41.2	-
98.4	119.0	115.7	73.9	54.0	39.0	40.3	-
111.5	116.8	114.6	71.0	52.0	37.5	39.0	-
118.1	115.7	113.0	69.6	51.0	36.8	38.3	22.5
124.7	114.6	111.3	68.1	50.0	36.2	37.5	22.0
137.8	112.4	109.8	65.3	48.1	34.8	36.2	21.2
150.9	109.6	107.4	63.1	46.3	33.5	34.8	20.3
164.0	106.7	104.5	60.8	44.5	32.4	33.5	19.4
177.2	103.6	101.6	58.6	43.0	31.5	32.4	18.7
190.3	91.3	92.4	56.4	41.7	30.4	31.3	18.1
203.4	80.2	81.1	54.2	40.1	29.8	30.2	17.4
216.5	70.5	71.4	52.0	38.6	28.9	29.3	16.8
229.7	62.2	62.8	49.8	37.3	28.2	28.2	16.3
242.8	54.7	55.3	47.6	35.7	27.6	27.3	15.7
255.9	47.8	48.5	45.4	34.2	26.9	26.2	15.2
269.0	41.9	42.5	44.3	32.8	26.2	25.1	14.8
282.2	36.6	37.3	43.7	31.3	25.8	24.3	14.6
295.3	31.7	32.2	41.4	30.6	25.4	23.1	14.1
308.4	27.3	27.8	37.0	30.0	24.9	22.0	13.9
321.5	23.4	23.8	33.1	29.5	24.7	21.6	13.4
334.6	19.8	20.3	29.5	29.1	24.3	21.2	13.2
347.8	16.5	16.8	26.2	28.4	24.0	20.9	13.0
360.9	13.4	13.9	23.1	26.9	23.8	20.5	12.8
374.0	10.8	11.0	20.3	24.0	23.8	20.1	12.8
387.1	8.2	8.4	17.9	21.4	-	19.8	12.6
400.3	6.0	6.2	15.7	18.7	-	19.4	12.6
413.4	-	-	-	16.5	-	18.7	12.6
426.5	-	-	-	14.3	-	16.5	-
439.6	-	-	-	12.3	-	14.3	-
452.8	-	-	-	-	-	12.3	-
465.9	-	-	-	-	-	10.6	-
479.0	-	-	-	-	-	8.8	-
492.1	-	-	-	-	-	-	-





SW

HA 87°



3

**SW**

352,700 lb + 88,200 lb ZB

25'7"

360°

ISO

98.4 ft

ft	78.7 ft			98.4 ft			118.1 ft			137.8 ft			157.5 ft		
	87°-85°	75°	65°	87°-85°	75°	65°	87°-85°	75°	65°	87°-85°	75°	65°	87°-85°	75°	65°
	1,000 lb														
36.1	489.4	-	-	-	-	-	-	-	-	-	-	-	-	-	-
39.4	467.4	-	-	403.4	-	-	-	-	-	-	-	-	-	-	-
42.7	414.5	-	-	403.4	-	-	341.7	-	-	-	-	-	-	-	-
45.9	370.4	-	-	368.2	-	-	341.7	-	-	-	-	-	-	-	-
49.2	335.1	-	-	332.9	-	-	332.9	-	-	284.4	-	-	284.4	-	-
52.5	306.4	-	-	304.2	-	-	303.1	-	-	284.4	-	-	284.4	-	-
59.1	260.1	-	-	257.9	-	-	256.8	-	-	255.7	-	-	255.7	-	-
65.6	224.9	-	-	222.7	-	-	221.6	-	-	221.6	-	-	221.6	-	-
72.2	198.4	182.8	-	196.2	-	-	195.6	-	-	194.7	-	-	194.7	-	-
78.7	176.8	162.7	-	174.8	160.1	-	173.9	-	-	173.1	-	-	173.1	-	-
85.3	159.4	146.4	-	157.2	143.7	-	156.5	-	-	155.4	-	-	155.4	-	-
91.9	142.6	132.9	-	142.6	130.3	-	141.8	129.2	-	140.9	-	-	140.9	-	-
98.4	-	121.5	112.7	130.3	118.8	-	129.4	117.7	-	128.5	116.4	-	128.5	-	-
105.0	-	111.8	103.6	119.9	109.1	-	118.8	108.0	-	117.7	106.7	-	117.7	104.3	-
111.5	-	-	95.7	109.1	100.8	92.8	109.8	99.4	-	108.7	98.1	-	108.7	95.9	-
124.7	-	-	82.7	-	87.1	79.8	94.8	85.8	78.5	93.7	84.4	-	93.7	82.0	-
131.2	-	-	-	-	-	74.5	87.3	80.0	73.0	87.3	78.5	-	87.3	76.3	-
137.8	-	-	-	-	-	69.9	-	74.7	68.3	81.8	73.4	66.8	81.8	71.2	-
144.4	-	-	-	-	-	65.7	-	70.3	63.9	76.9	68.8	62.6	76.9	66.6	60.0
150.9	-	-	-	-	-	-	-	-	60.2	-	64.8	58.6	-	62.4	56.2
164.0	-	-	-	-	-	-	-	-	53.8	-	57.5	52.0	-	55.3	49.4
177.2	-	-	-	-	-	-	-	-	-	-	46.5	-	-	49.4	43.4
190.3	-	-	-	-	-	-	-	-	-	-	-	-	-	-	38.8

ft	177.2 ft			196.9 ft			216.5 ft			236.2 ft		
	87°-85°	75°	65°	87°-85°	75°	65°	87°-85°	75°	65°	87°-85°	75°	65°
	1,000 lb											
59.1	202.6	-	-	-	-	-	-	-	-	-	-	-
62.3	202.6	-	-	168.7	-	-	-	-	-	-	-	-
65.6	201.1	-	-	168.7	-	-	142.0	-	-	-	-	-
72.2	192.0	-	-	166.4	-	-	142.0	-	-	117.9	-	-
78.7	170.4	-	-	164.2	-	-	140.4	-	-	117.5	-	-
85.3	152.8	-	-	151.9	-	-	139.1	-	-	116.6	-	-
91.9	138.2	-	-	137.3	-	-	136.9	-	-	115.7	-	-
98.4	125.7	-	-	124.8	-	-	124.6	-	-	114.2	-	-
111.5	106.0	95.0	-	105.2	-	-	104.7	-	-	103.4	-	-
124.7	90.8	81.1	-	89.9	80.0	-	89.5	-	-	88.2	-	-
131.2	84.7	75.4	-	83.6	74.3	-	83.1	73.6	-	81.8	-	-
137.8	78.9	70.1	-	78.0	69.0	-	77.6	68.3	-	76.3	66.8	-
150.9	69.4	61.5	-	68.3	60.2	-	67.9	59.5	-	66.6	58.0	-
157.5	65.3	57.8	51.4	64.2	56.4	-	63.7	55.8	-	62.4	54.2	-
164.0	61.5	54.2	48.1	60.4	52.9	-	60.0	52.5	-	58.6	50.9	-
177.2	55.1	48.3	42.1	53.8	47.0	40.6	53.4	46.3	39.7	52.0	44.5	-
190.3	-	43.2	37.3	48.3	41.7	35.7	47.6	40.8	34.8	46.3	39.0	32.8
203.4	-	38.8	33.1	43.4	37.0	31.5	42.8	36.2	30.4	41.4	34.4	28.7
216.5	-	-	29.5	-	33.1	27.8	38.6	32.2	26.9	37.0	30.2	24.9
229.7	-	-	-	-	-	24.7	-	28.7	23.6	33.1	26.7	21.6
242.8	-	-	-	-	-	-	-	25.6	20.7	28.7	23.6	18.7
255.9	-	-	-	-	-	-	-	-	18.5	-	20.9	16.3
269.0	-	-	-	-	-	-	-	-	-	-	-	14.1

Remarks

Main boom angle 87°-85°, 75° and 65°, capacities for intermediate boom positions are calculated by the crane control system IC-1

**SW**

352,700 lb + 88,200 lb ZB 25'7" 360° ISO

118.1 ft

ft	78.7 ft			98.4 ft			118.1 ft			137.8 ft			157.5 ft		
	87°-85°	75°	65°	87°-85°	75°	65°	87°-85°	75°	65°	87°-85°	75°	65°	87°-85°	75°	65°
	1,000 lb														
36.1	421.1	-	-	-	-	-	-	-	-	-	-	-	-	-	-
39.4	421.1	-	-	358.3	-	-	-	-	-	-	-	-	-	-	-
45.9	369.3	-	-	349.4	-	-	297.6	-	-	-	-	-	-	-	-
49.2	334.0	-	-	331.8	-	-	297.6	-	-	253.5	-	-	-	-	-
52.5	304.2	-	-	302.0	-	-	291.0	-	-	253.5	-	-	-	-	-
55.8	280.0	-	-	277.8	-	-	276.7	-	-	250.2	-	-	215.0	-	-
59.1	257.9	-	-	255.7	-	-	255.7	-	-	245.8	-	-	215.0	-	-
65.6	223.8	-	-	221.6	-	-	221.6	-	-	220.5	-	-	209.7	-	-
72.2	197.3	-	-	195.1	-	-	194.7	-	-	193.6	-	-	191.6	-	-
78.7	175.9	158.1	-	173.7	-	-	173.1	-	-	172.2	-	-	170.2	-	-
85.3	158.3	142.2	-	156.3	139.3	-	155.6	-	-	154.5	-	-	152.6	-	-
91.9	141.3	129.0	-	141.8	126.3	-	140.9	125.0	-	140.0	-	-	138.0	-	-
98.4	-	117.7	-	129.4	115.1	-	128.5	114.0	-	127.6	-	-	125.7	-	-
105.0	-	108.2	-	119.0	105.6	-	118.2	104.5	-	117.1	103.2	-	115.1	-	-
111.5	-	99.9	90.4	107.8	97.4	-	108.9	96.1	-	108.0	94.8	-	105.8	92.4	-
118.1	-	-	83.8	-	90.2	80.9	101.0	89.1	-	100.1	87.7	-	97.9	85.3	-
124.7	-	-	78.0	-	84.0	75.2	94.1	82.7	-	93.0	81.4	-	90.8	78.9	-
131.2	-	-	73.0	-	78.5	69.9	86.2	77.2	68.6	86.6	75.8	-	84.7	73.4	-
137.8	-	-	-	-	-	65.5	-	72.1	63.9	81.1	70.8	-	79.1	68.3	-
144.4	-	-	-	-	-	61.3	-	67.7	60.0	76.3	66.4	58.4	74.1	63.9	-
150.9	-	-	-	-	-	57.8	-	63.7	56.2	70.3	62.2	54.5	69.7	59.7	-
157.5	-	-	-	-	-	-	-	-	52.9	-	58.6	51.1	65.7	56.2	48.1
164.0	-	-	-	-	-	-	-	-	49.8	-	55.3	47.8	61.9	52.9	45.0
177.2	-	-	-	-	-	-	-	-	-	-	-	42.3	-	47.2	39.5
190.3	-	-	-	-	-	-	-	-	-	-	-	37.9	-	42.1	34.8
203.4	-	-	-	-	-	-	-	-	-	-	-	-	-	-	31.1

ft	177.2 ft			196.9 ft			216.5 ft			236.2 ft		
	87°-85°	75°	65°	87°-85°	75°	65°	87°-85°	75°	65°	87°-85°	75°	65°
	1,000 lb											
59.1	183.4	-	-	-	-	-	-	-	-	-	-	-
62.3	183.4	-	-	155.0	-	-	-	-	-	-	-	-
65.6	181.4	-	-	155.0	-	-	-	-	-	-	-	-
72.2	179.0	-	-	152.3	-	-	129.2	-	-	110.5	-	-
78.7	169.5	-	-	149.7	-	-	127.0	-	-	109.6	-	-
85.3	152.1	-	-	147.5	-	-	125.0	-	-	108.0	-	-
91.9	137.3	-	-	136.7	-	-	123.0	-	-	106.5	-	-
98.4	125.0	-	-	124.1	-	-	121.0	-	-	104.7	-	-
111.5	105.4	-	-	104.5	-	-	104.1	-	-	100.5	-	-
118.1	97.2	84.4	-	96.3	-	-	96.1	-	-	94.8	-	-
124.7	90.2	78.0	-	89.3	-	-	88.8	-	-	87.7	-	-
131.2	84.0	72.5	-	83.1	71.4	-	82.7	-	-	81.4	-	-
137.8	78.3	67.5	-	77.4	66.4	-	76.9	65.7	-	75.8	-	-
144.4	73.4	63.1	-	72.3	61.7	-	72.1	61.3	-	70.8	59.5	-
150.9	68.8	58.9	-	67.9	57.8	-	67.5	57.1	-	66.1	55.6	-
164.0	61.1	51.8	43.7	60.0	50.7	-	59.5	50.0	-	58.2	48.1	-
177.2	54.5	45.9	38.1	53.4	44.5	36.6	52.9	43.7	-	51.6	41.9	-
190.3	-	40.8	33.5	47.8	39.2	32.0	47.2	38.6	31.1	45.9	36.6	-
203.4	-	36.4	29.5	43.0	34.8	27.8	42.3	34.0	26.9	41.0	32.2	24.9
216.5	-	-	26.2	-	30.9	24.5	38.4	30.0	23.6	36.6	28.2	21.6
229.7	-	-	23.4	-	-	21.4	-	26.7	20.5	32.8	24.7	18.5
242.8	-	-	-	-	-	19.0	-	23.8	17.9	29.3	21.8	15.9
255.9	-	-	-	-	-	-	-	-	15.4	-	19.2	13.4
269.0	-	-	-	-	-	-	-	-	-	-	-	11.2
282.2	-	-	-	-	-	-	-	-	-	-	-	9.5

Remarks: Main boom angle 87°-85°, 75° and 65°, capacities for intermediate boom positions are calculated by the crane control system IC-1

**SW**352,700 lb + 88,200 lb ZB  25'7" 360° ISO 137.8 ft

ft	78.7 ft			98.4 ft			118.1 ft			137.8 ft			157.5 ft		
	87°-85°	75°	65°	87°-85°	75°	65°	87°-85°	75°	65°	87°-85°	75°	65°	87°-85°	75°	65°
	1,000 lb														
36.1	392.4	-	-	-	-	-	-	-	-	-	-	-	-	-	-
39.4	392.4	-	-	-	-	-	-	-	-	-	-	-	-	-	-
42.7	380.3	-	-	325.2	-	-	-	-	-	-	-	-	-	-	-
45.9	368.2	-	-	325.2	-	-	277.8	-	-	-	-	-	-	-	-
49.2	332.9	-	-	317.5	-	-	277.8	-	-	233.7	-	-	-	-	-
52.5	303.1	-	-	300.9	-	-	272.3	-	-	233.7	-	-	-	-	-
55.8	278.9	-	-	275.6	-	-	266.8	-	-	233.7	-	-	201.7	-	-
59.1	256.8	-	-	254.6	-	-	254.6	-	-	230.4	-	-	201.7	-	-
65.6	222.7	-	-	220.5	-	-	220.2	-	-	219.4	-	-	196.2	-	-
72.2	196.2	-	-	194.0	-	-	193.6	-	-	192.7	-	-	190.5	-	-
78.7	174.8	-	-	172.6	-	-	172.2	-	-	171.3	-	-	169.1	-	-
85.3	157.4	137.6	-	155.2	-	-	154.5	-	-	153.7	-	-	151.7	-	-
91.9	139.8	124.8	-	140.7	121.9	-	140.0	-	-	139.1	-	-	137.1	-	-
98.4	-	113.8	-	128.5	111.1	-	127.9	110.0	-	126.8	-	-	124.8	-	-
105.0	-	104.5	-	117.9	101.6	-	117.3	100.8	-	116.4	99.4	-	114.2	-	-
111.5	-	96.3	-	106.5	93.7	-	108.2	92.6	-	107.1	91.3	-	105.2	-	-
118.1	-	89.5	78.5	-	86.6	-	100.3	85.5	-	99.2	84.4	-	97.2	81.8	-
124.7	-	-	73.0	-	80.7	-	93.3	79.6	-	92.2	78.3	-	90.2	75.6	-
131.2	-	-	68.1	-	75.2	65.0	84.9	74.1	-	86.0	72.8	-	84.0	70.3	-
137.8	-	-	63.7	-	70.5	60.6	-	69.2	59.1	80.5	67.9	-	78.5	65.5	-
150.9	-	-	-	-	-	53.1	-	60.8	51.4	69.2	59.5	49.6	69.0	57.1	-
157.5	-	-	-	-	-	49.8	-	57.5	48.1	-	56.0	46.3	65.0	53.6	-
164.0	-	-	-	-	-	-	-	-	45.2	-	52.7	43.2	61.3	50.3	40.3
177.2	-	-	-	-	-	-	-	-	40.1	-	47.2	38.1	-	44.3	35.1
190.3	-	-	-	-	-	-	-	-	-	-	-	33.7	-	39.5	30.6
203.4	-	-	-	-	-	-	-	-	-	-	-	-	-	-	27.1
216.5	-	-	-	-	-	-	-	-	-	-	-	-	-	-	24.0

ft	177.2 ft			196.9 ft			216.5 ft			236.2 ft		
	87°-85°	75°	65°	87°-85°	75°	65°	87°-85°	75°	65°	87°-85°	75°	65°
	1,000 lb											
59.1	172.6	-	-	-	-	-	-	-	-	-	-	-
65.6	170.6	-	-	144.6	-	-	-	-	-	-	-	-
72.2	166.9	-	-	143.3	-	-	122.1	-	-	103.8	-	-
78.7	164.5	-	-	140.7	-	-	119.7	-	-	103.8	-	-
85.3	151.2	-	-	138.7	-	-	117.9	-	-	101.9	-	-
91.9	136.7	-	-	133.8	-	-	115.5	-	-	100.5	-	-
98.4	124.3	-	-	123.5	-	-	113.3	-	-	98.5	-	-
111.5	104.5	-	-	103.8	-	-	103.4	-	-	94.8	-	-
124.7	89.5	75.0	-	88.8	-	-	88.4	-	-	87.1	-	-
131.2	83.3	69.4	-	82.5	68.3	-	82.0	-	-	80.9	-	-
137.8	77.8	64.6	-	76.9	63.5	-	76.5	-	-	75.2	-	-
144.4	72.8	60.2	-	71.9	59.1	-	71.4	58.4	-	70.1	-	-
150.9	68.3	56.2	-	67.2	55.1	-	67.0	54.2	-	65.7	52.5	-
164.0	60.4	49.2	-	59.5	47.8	-	59.1	47.2	-	57.8	45.2	-
177.2	54.0	43.2	33.7	52.9	41.9	-	52.5	41.0	-	51.1	39.2	-
190.3	47.0	38.1	29.3	47.4	36.8	27.8	46.7	35.9	-	45.4	34.2	-
203.4	-	34.0	25.8	42.5	32.4	24.0	42.1	31.5	23.1	40.6	29.8	-
216.5	-	-	22.5	-	28.7	20.9	37.9	27.8	19.8	36.2	26.0	17.9
229.7	-	-	19.8	-	25.6	18.1	32.6	24.5	17.2	32.4	22.7	15.0
242.8	-	-	-	-	-	15.7	-	21.8	14.6	28.9	19.8	12.6
255.9	-	-	-	-	-	13.7	-	-	12.3	-	17.2	10.4
269.0	-	-	-	-	-	-	-	-	10.6	-	15.0	8.4
282.2	-	-	-	-	-	-	-	-	-	-	-	6.6

Remarks: Main boom angle 87°-85°, 75° and 65°, capacities for intermediate boom positions are calculated by the crane control system IC-1

**SW**


352,700 lb + 88,200 lb ZB 25'7" 360° ISO

157.5 ft

ft	78.7 ft			98.4 ft			118.1 ft			137.8 ft			157.5 ft		
	87°-85°	75°	65°	87°-85°	75°	65°	87°-85°	75°	65°	87°-85°	75°	65°	87°-85°	75°	65°
	1,000 lb														
39.4	341.7	-	-	-	-	-	-	-	-	-	-	-	-	-	-
42.7	341.7	-	-	292.1	-	-	-	-	-	-	-	-	-	-	-
45.9	331.8	-	-	292.1	-	-	244.7	-	-	-	-	-	-	-	-
52.5	302.0	-	-	277.8	-	-	244.7	-	-	211.9	-	-	-	-	-
55.8	276.7	-	-	271.2	-	-	240.3	-	-	211.9	-	-	181.2	-	-
59.1	255.7	-	-	253.5	-	-	234.8	-	-	208.3	-	-	181.2	-	-
65.6	221.6	-	-	219.4	-	-	219.1	-	-	204.8	-	-	176.1	-	-
72.2	195.1	-	-	192.7	-	-	192.5	-	-	191.6	-	-	173.7	-	-
78.7	173.7	-	-	171.5	-	-	171.1	-	-	170.2	-	-	165.6	-	-
85.3	156.3	132.7	-	154.1	-	-	153.7	-	-	152.8	-	-	150.6	-	-
91.9	141.8	120.2	-	139.6	-	-	139.1	-	-	138.2	-	-	136.2	-	-
98.4	-	109.6	-	127.4	106.7	-	126.8	-	-	126.1	-	-	123.9	-	-
105.0	-	100.5	-	117.1	97.7	-	116.4	96.6	-	115.5	-	-	113.3	-	-
111.5	-	92.6	-	108.0	89.7	-	107.4	88.8	-	106.5	87.5	-	104.3	-	-
124.7	-	79.8	67.2	-	77.2	-	92.6	76.1	-	91.5	74.7	-	89.5	72.3	-
131.2	-	-	62.6	-	71.9	-	83.8	70.8	-	85.3	69.4	-	83.1	67.0	-
137.8	-	-	58.2	-	67.2	54.7	-	66.1	-	79.8	64.8	-	77.6	62.2	-
144.4	-	-	54.5	-	63.1	50.9	-	61.7	-	75.0	60.6	-	72.8	58.0	-
150.9	-	-	51.1	-	-	47.6	-	58.0	46.1	68.1	56.7	-	68.3	54.0	-
157.5	-	-	-	-	-	44.5	-	54.7	43.0	-	53.4	41.2	64.4	50.3	-
164.0	-	-	-	-	-	41.9	-	-	40.1	-	50.0	38.4	60.6	47.2	-
177.2	-	-	-	-	-	-	-	-	35.3	-	44.3	33.5	-	41.4	30.4
190.3	-	-	-	-	-	-	-	-	-	-	-	29.5	-	36.6	26.2
203.4	-	-	-	-	-	-	-	-	-	-	-	26.0	-	-	22.9
216.5	-	-	-	-	-	-	-	-	-	-	-	-	-	-	20.1

ft	177.2 ft			196.9 ft			216.5 ft			236.2 ft		
	87°-85°	75°	65°	87°-85°	75°	65°	87°-85°	75°	65°	87°-85°	75°	65°
	1,000 lb											
59.1	155.0	-	-	-	-	-	-	-	-	-	-	-
65.6	155.0	-	-	129.2	-	-	-	-	-	-	-	-
72.2	151.2	-	-	127.6	-	-	109.3	-	-	-	-	-
78.7	149.3	-	-	124.8	-	-	108.2	-	-	93.7	-	-
85.3	145.5	-	-	122.6	-	-	105.8	-	-	91.9	-	-
91.9	135.8	-	-	119.7	-	-	104.1	-	-	89.9	-	-
98.4	123.5	-	-	116.6	-	-	101.9	-	-	88.6	-	-
111.5	103.8	-	-	103.2	-	-	97.0	-	-	85.1	-	-
124.7	88.8	-	-	88.2	-	-	87.7	-	-	81.1	-	-
131.2	82.7	66.1	-	81.8	-	-	81.6	-	-	77.8	-	-
137.8	77.2	61.5	-	76.3	60.2	-	75.8	-	-	74.7	-	-
144.4	72.1	56.9	-	71.2	55.8	-	71.0	54.9	-	69.7	-	-
150.9	67.7	52.9	-	66.8	51.8	-	66.4	50.9	-	65.0	-	-
157.5	63.5	49.4	-	62.6	48.1	-	62.2	47.4	-	61.1	45.4	-
164.0	59.7	46.1	-	58.9	44.8	-	58.4	44.1	-	57.3	42.1	-
177.2	53.4	40.3	-	52.5	39.0	-	52.0	38.1	-	50.7	36.4	-
190.3	46.1	35.5	25.1	46.7	34.2	-	46.3	33.3	-	45.0	31.5	-
203.4	-	31.3	21.6	42.1	30.0	20.1	41.7	29.1	19.2	40.1	27.3	-
216.5	-	28.0	18.7	-	26.2	17.0	37.5	25.6	16.1	35.7	23.6	14.1
229.7	-	-	16.1	-	23.1	14.6	31.7	22.3	13.4	32.0	20.5	11.5
242.8	-	-	14.1	-	-	12.1	-	19.6	11.2	28.4	17.6	9.3
255.9	-	-	-	-	-	10.1	-	17.2	9.3	-	15.2	7.1
269.0	-	-	-	-	-	-	-	-	7.5	-	13.0	-
282.2	-	-	-	-	-	-	-	-	6.0	-	-	-
295.3	-	-	-	-	-	-	-	-	-	-	-	-

Remarks: Main boom angle 87°-85°, 75° and 65°, capacities for intermediate boom positions are calculated by the crane control system IC-1

**SW**352,700 lb + 88,200 lb ZB  25'7" 360° ISO 177.2 ft

ft	78.7 ft			98.4 ft			118.1 ft			137.8 ft			157.5 ft		
	87°-85°	75°	65°	87°-85°	75°	65°	87°-85°	75°	65°	87°-85°	75°	65°	87°-85°	75°	65°
	1,000 lb														
39.4	302.0	-	-	-	-	-	-	-	-	-	-	-	-	-	-
42.7	302.0	-	-	259.0	-	-	-	-	-	-	-	-	-	-	-
45.9	294.3	-	-	259.0	-	-	-	-	-	-	-	-	-	-	-
49.2	287.7	-	-	253.5	-	-	220.5	-	-	-	-	-	-	-	-
52.5	287.7	-	-	249.1	-	-	220.5	-	-	189.6	-	-	-	-	-
55.8	272.3	-	-	243.6	-	-	216.5	-	-	189.6	-	-	161.8	-	-
59.1	254.6	-	-	242.5	-	-	212.3	-	-	186.5	-	-	161.8	-	-
65.6	220.2	-	-	218.0	-	-	207.7	-	-	180.6	-	-	159.6	-	-
72.2	193.8	-	-	191.4	-	-	191.1	-	-	177.0	-	-	155.0	-	-
78.7	172.4	-	-	170.2	-	-	170.0	-	-	167.1	-	-	152.6	-	-
85.3	155.0	-	-	152.8	-	-	152.6	-	-	151.7	-	-	145.1	-	-
91.9	140.7	115.5	-	138.5	-	-	138.0	-	-	137.3	-	-	135.1	-	-
98.4	124.6	105.2	-	126.3	102.3	-	125.9	-	-	125.0	-	-	123.0	-	-
111.5	-	88.8	-	107.1	86.0	-	106.5	84.9	-	105.6	-	-	103.4	-	-
118.1	-	82.2	-	95.9	79.4	-	98.5	78.5	-	97.7	77.2	-	95.5	-	-
124.7	-	76.3	-	-	73.6	-	91.7	72.5	-	90.6	71.4	-	88.6	68.8	-
131.2	-	-	56.4	-	68.3	-	85.5	67.5	-	84.7	66.1	-	82.5	63.5	-
137.8	-	-	52.5	-	63.9	-	77.2	62.8	-	79.1	61.7	-	76.9	58.6	-
144.4	-	-	48.9	-	60.0	45.2	-	58.9	-	74.3	57.3	-	72.1	54.5	-
150.9	-	-	45.6	-	-	42.1	-	55.1	-	67.0	53.6	-	67.7	50.5	-
157.5	-	-	43.0	-	-	39.2	-	51.6	37.7	-	50.0	-	63.5	47.2	-
164.0	-	-	-	-	-	36.8	-	48.5	35.3	-	47.0	-	60.0	43.9	-
177.2	-	-	-	-	-	32.4	-	-	30.6	-	41.4	28.9	-	38.4	25.8
190.3	-	-	-	-	-	-	-	-	26.9	-	-	25.1	-	33.7	22.0
203.4	-	-	-	-	-	-	-	-	-	-	-	22.0	-	30.0	18.7
216.5	-	-	-	-	-	-	-	-	-	-	-	19.4	-	-	16.1
229.7	-	-	-	-	-	-	-	-	-	-	-	-	-	-	13.9

ft	177.2 ft			196.9 ft			216.5 ft			236.2 ft		
	87°-85°	75°	65°	87°-85°	75°	65°	87°-85°	75°	65°	87°-85°	75°	65°
	1,000 lb											
62.3	140.2	-	-	-	-	-	-	-	-	-	-	-
65.6	140.2	-	-	115.3	-	-	-	-	-	-	-	-
72.2	136.9	-	-	115.3	-	-	98.5	-	-	-	-	-
78.7	135.1	-	-	112.4	-	-	97.4	-	-	83.3	-	-
85.3	131.6	-	-	110.2	-	-	95.5	-	-	82.7	-	-
91.9	128.3	-	-	107.6	-	-	93.5	-	-	80.9	-	-
98.4	121.9	-	-	104.7	-	-	91.5	-	-	79.1	-	-
111.5	103.0	-	-	98.3	-	-	87.1	-	-	75.8	-	-
124.7	88.2	-	-	87.3	-	-	82.2	-	-	72.3	-	-
137.8	76.5	57.8	-	75.6	-	-	75.4	-	-	68.3	-	-
144.4	71.4	53.4	-	70.8	52.2	-	70.3	-	-	65.9	-	-
150.9	67.0	49.6	-	66.1	48.3	-	65.7	47.6	-	63.5	-	-
157.5	62.8	46.1	-	62.2	44.8	-	61.7	44.1	-	60.4	42.1	-
164.0	59.3	43.0	-	58.4	41.7	-	58.0	41.0	-	56.7	39.0	-
177.2	52.7	37.5	-	51.8	36.2	-	51.4	35.3	-	50.0	33.5	-
190.3	45.2	32.6	20.7	46.3	31.5	-	45.9	30.6	-	44.5	28.9	-
203.4	-	28.7	17.6	41.7	27.3	16.1	41.0	26.7	-	39.7	24.7	-
216.5	-	25.4	14.8	-	24.0	13.2	36.8	23.1	12.3	35.3	21.4	-
229.7	-	-	12.3	-	20.9	10.8	30.9	20.1	9.9	31.3	18.3	7.9
242.8	-	-	10.4	-	18.3	8.8	-	17.4	7.7	28.0	15.7	5.7
255.9	-	-	-	-	-	6.8	-	15.2	6.0	-	13.2	-
269.0	-	-	-	-	-	-	-	-	-	-	11.0	-
282.2	-	-	-	-	-	-	-	-	-	-	9.3	-

Remarks: Main boom angle 87°-85°, 75° and 65°, capacities for intermediate boom positions are calculated by the crane control system IC-1

**SW**

352,700 lb + 88,200 lb ZB 25'7" 360° ISO

196.9 ft

ft	78.7 ft			98.4 ft			118.1 ft			137.8 ft			157.5 ft		
	87°-85°	75°	65°	87°-85°	75°	65°	87°-85°	75°	65°	87°-85°	75°	65°	87°-85°	75°	65°
	1,000 lb														
39.4	262.4	-	-	-	-	-	-	-	-	-	-	-	-	-	-
45.9	256.8	-	-	221.6	-	-	-	-	-	-	-	-	-	-	-
49.2	250.2	-	-	221.6	-	-	191.6	-	-	-	-	-	-	-	-
52.5	249.1	-	-	217.8	-	-	191.6	-	-	164.9	-	-	-	-	-
59.1	238.1	-	-	214.3	-	-	185.0	-	-	164.9	-	-	143.7	-	-
65.6	218.9	-	-	205.7	-	-	182.5	-	-	160.1	-	-	142.0	-	-
72.2	192.2	-	-	190.0	-	-	176.1	-	-	158.3	-	-	138.7	-	-
78.7	171.1	-	-	168.9	-	-	164.0	-	-	153.4	-	-	136.7	-	-
85.3	153.9	-	-	151.7	-	-	151.5	-	-	144.8	-	-	132.7	-	-
91.9	139.6	-	-	137.3	-	-	136.9	-	-	136.2	-	-	128.1	-	-
98.4	122.8	100.3	-	125.2	-	-	124.8	-	-	124.1	-	-	121.0	-	-
105.0	-	91.9	-	114.9	88.8	-	114.4	-	-	113.8	-	-	111.6	-	-
111.5	-	84.4	-	106.0	81.6	-	105.4	-	-	104.7	-	-	102.5	-	-
118.1	-	78.0	-	94.4	75.2	-	97.7	74.3	-	96.8	-	-	94.6	-	-
124.7	-	72.5	-	-	69.7	-	90.8	68.8	-	89.9	67.2	-	87.7	-	-
131.2	-	67.7	-	-	64.6	-	84.7	63.5	-	83.8	62.2	-	81.6	59.1	-
137.8	-	-	-	-	60.0	-	75.8	59.1	-	78.3	57.5	-	76.1	54.5	-
144.4	-	-	42.8	-	56.0	-	-	54.9	-	73.4	53.6	-	71.2	50.5	-
150.9	-	-	39.7	-	52.5	36.2	-	51.1	-	69.0	49.8	-	66.8	46.7	-
157.5	-	-	37.0	-	-	33.5	-	47.8	-	62.2	46.5	-	62.8	43.4	-
164.0	-	-	34.8	-	-	31.1	-	45.0	29.8	-	43.4	-	59.3	40.3	-
177.2	-	-	-	-	-	27.1	-	-	25.6	-	38.1	23.8	50.3	35.1	-
190.3	-	-	-	-	-	-	-	-	22.0	-	33.7	20.3	-	30.6	17.2
203.4	-	-	-	-	-	-	-	-	19.4	-	-	17.4	-	27.1	14.3
216.5	-	-	-	-	-	-	-	-	-	-	-	15.0	-	-	11.7
229.7	-	-	-	-	-	-	-	-	-	-	-	-	-	-	9.7
242.8	-	-	-	-	-	-	-	-	-	-	-	-	-	-	8.2

ft	177.2 ft			196.9 ft			216.5 ft			236.2 ft		
	87°-85°	75°	65°	87°-85°	75°	65°	87°-85°	75°	65°	87°-85°	75°	65°
	1,000 lb											
62.3	121.7	-	-	-	-	-	-	-	-	-	-	-
65.6	121.7	-	-	99.9	-	-	-	-	-	-	-	-
72.2	120.4	-	-	99.9	-	-	84.7	-	-	-	-	-
78.7	117.5	-	-	97.2	-	-	84.7	-	-	72.3	-	-
85.3	115.7	-	-	94.8	-	-	82.5	-	-	71.4	-	-
91.9	112.7	-	-	93.5	-	-	81.4	-	-	69.9	-	-
98.4	109.1	-	-	91.1	-	-	79.4	-	-	68.6	-	-
111.5	100.3	-	-	86.0	-	-	75.4	-	-	65.7	-	-
124.7	87.3	-	-	80.7	-	-	71.2	-	-	62.4	-	-
137.8	75.6	53.6	-	73.4	-	-	67.0	-	-	58.9	-	-
150.9	66.4	45.9	-	65.5	44.5	-	61.9	-	-	55.3	-	-
157.5	62.2	42.5	-	61.5	41.2	-	58.9	40.6	-	53.6	-	-
164.0	58.6	39.5	-	57.8	38.4	-	56.9	37.5	-	51.8	35.7	-
177.2	52.2	34.2	-	51.4	32.8	-	50.9	32.2	-	47.0	30.4	-
190.3	44.3	29.8	-	45.9	28.4	-	45.4	27.8	-	44.1	25.8	-
203.4	-	26.0	13.0	41.2	24.7	-	40.6	23.8	-	39.0	22.0	-
216.5	-	22.7	10.6	-	21.4	9.0	36.4	20.5	-	34.6	18.7	-
229.7	-	20.1	8.4	-	18.5	6.8	30.0	17.6	-	30.9	15.9	-
242.8	-	-	6.6	-	15.9	-	-	15.0	-	27.6	13.2	-
255.9	-	-	-	-	-	-	-	12.8	-	-	11.0	-
269.0	-	-	-	-	-	-	-	-	-	-	9.0	-
282.2	-	-	-	-	-	-	-	-	-	-	7.3	-
295.3	-	-	-	-	-	-	-	-	-	-	-	-

Remarks: Main boom angle 87°-85°, 75° and 65°, capacities for intermediate boom positions are calculated by the crane control system IC-1

**SW**

352,700 lb + 88,200 lb ZB

25'7"

360°

ISO

216.5 ft

ft	78.7 ft			98.4 ft			118.1 ft			137.8 ft			157.5 ft		
	87°-85°	75°	65°	87°-85°	75°	65°	87°-85°	75°	65°	87°-85°	75°	65°	87°-85°	75°	65°
	1,000 lb														
42.7	233.7	-	-	-	-	-	-	-	-	-	-	-	-	-	-
45.9	233.7	-	-	204.1	-	-	-	-	-	-	-	-	-	-	-
49.2	228.2	-	-	204.1	-	-	172.8	-	-	-	-	-	-	-	-
52.5	222.7	-	-	200.0	-	-	172.8	-	-	-	-	-	-	-	-
55.8	221.6	-	-	195.8	-	-	172.8	-	-	151.5	-	-	-	-	-
59.1	216.9	-	-	191.6	-	-	169.5	-	-	151.5	-	-	127.4	-	-
65.6	205.5	-	-	184.7	-	-	163.1	-	-	146.6	-	-	127.4	-	-
72.2	188.9	-	-	176.1	-	-	159.8	-	-	144.0	-	-	123.7	-	-
78.7	169.8	-	-	165.6	-	-	153.2	-	-	139.1	-	-	121.5	-	-
85.3	152.6	-	-	150.4	-	-	143.7	-	-	134.0	-	-	117.7	-	-
91.9	138.2	-	-	136.0	-	-	135.8	-	-	128.8	-	-	114.0	-	-
98.4	121.0	-	-	123.9	-	-	123.7	-	-	120.8	-	-	109.8	-	-
105.0	-	87.1	-	113.8	-	-	113.3	-	-	112.7	-	-	105.2	-	-
111.5	-	80.0	-	104.7	76.7	-	104.5	-	-	103.6	-	-	99.9	-	-
118.1	-	73.9	-	92.6	70.5	-	96.6	69.4	-	95.9	-	-	93.7	-	-
124.7	-	68.3	-	-	64.8	-	89.7	63.9	-	89.1	-	-	86.9	-	-
131.2	-	63.5	-	-	60.0	-	83.8	59.1	-	82.9	57.8	-	80.7	-	-
137.8	-	59.1	-	-	55.6	-	74.5	54.7	-	77.4	53.4	-	75.4	50.3	-
150.9	-	-	33.5	-	48.3	-	-	47.2	-	68.3	45.9	-	66.1	42.8	-
157.5	-	-	31.1	-	45.2	-	-	44.1	-	60.8	42.8	-	62.2	39.7	-
164.0	-	-	28.9	-	-	25.1	-	41.2	-	-	39.7	-	58.4	36.8	-
177.2	-	-	-	-	-	21.4	-	36.4	20.1	-	34.8	-	49.2	31.7	-
190.3	-	-	-	-	-	18.5	-	-	17.0	-	30.6	15.4	-	27.6	-
203.4	-	-	-	-	-	-	-	-	14.6	-	-	12.8	-	24.0	9.5
216.5	-	-	-	-	-	-	-	-	-	-	-	10.6	-	21.2	7.3
223.1	-	-	-	-	-	-	-	-	-	-	-	9.5	-	-	6.2
229.7	-	-	-	-	-	-	-	-	-	-	-	8.8	-	-	-

ft	177.2 ft			196.9 ft			216.5 ft			236.2 ft		
	87°-85°	75°	65°	87°-85°	75°	65°	87°-85°	75°	65°	87°-85°	75°	65°
	1,000 lb											
62.3	111.6	-	-	-	-	-	-	-	-	-	-	-
65.6	111.6	-	-	-	-	-	-	-	-	-	-	-
72.2	110.2	-	-	89.9	-	-	76.9	-	-	-	-	-
78.7	107.4	-	-	88.8	-	-	76.9	-	-	59.3	-	-
85.3	105.4	-	-	86.4	-	-	75.0	-	-	59.3	-	-
91.9	102.5	-	-	84.2	-	-	73.0	-	-	58.0	-	-
98.4	99.6	-	-	81.8	-	-	71.2	-	-	56.4	-	-
111.5	93.0	-	-	76.9	-	-	67.2	-	-	53.1	-	-
124.7	84.9	-	-	71.9	-	-	63.3	-	-	49.8	-	-
137.8	75.0	-	-	66.8	-	-	59.1	-	-	46.7	-	-
144.4	69.9	45.4	-	64.4	-	-	57.1	-	-	45.2	-	-
150.9	65.5	41.9	-	61.1	40.8	-	55.1	-	-	43.7	-	-
164.0	57.8	35.9	-	56.7	34.6	-	50.9	34.0	-	40.6	-	-
177.2	51.6	30.9	-	50.7	29.5	-	47.0	28.9	-	37.3	26.7	-
190.3	46.3	26.5	-	45.2	25.4	-	43.7	24.7	-	34.4	22.7	-
203.4	-	22.9	-	40.6	21.6	-	40.1	20.9	-	32.0	19.2	-
216.5	-	19.8	-	33.3	18.5	-	35.7	17.9	-	29.3	15.9	-
229.7	-	17.2	-	-	15.9	-	29.1	15.0	-	26.9	13.2	-
242.8	-	-	-	-	13.4	-	-	12.6	-	24.3	10.8	-
255.9	-	-	-	-	-	-	-	10.6	-	-	8.6	-
269.0	-	-	-	-	-	-	-	8.6	-	-	6.6	-

Remarks

Main boom angle 87°-85°, 75° and 65°, capacities for intermediate boom positions are calculated by the crane control system IC-1

**SW**

352,700 lb + 88,200 lb ZB	25'7"	360°	ISO
---------------------------	-------	------	-----

236.2 ft

ft	78.7 ft			98.4 ft			118.1 ft			137.8 ft			157.5 ft		
	87°-85°	75°	65°	87°-85°	75°	65°	87°-85°	75°	65°	87°-85°	75°	65°	87°-85°	75°	65°
	1,000 lb														
42.7	207.2	-	-	-	-	-	-	-	-	-	-	-	-	-	-
45.9	207.2	-	-	175.7	-	-	-	-	-	-	-	-	-	-	-
52.5	199.5	-	-	175.7	-	-	153.4	-	-	-	-	-	-	-	-
55.8	196.0	-	-	172.6	-	-	153.4	-	-	132.7	-	-	-	-	-
59.1	196.0	-	-	169.8	-	-	151.0	-	-	132.7	-	-	113.3	-	-
65.6	188.5	-	-	167.1	-	-	146.6	-	-	131.0	-	-	113.3	-	-
72.2	180.6	-	-	161.4	-	-	144.2	-	-	127.2	-	-	110.2	-	-
78.7	167.1	-	-	155.4	-	-	139.3	-	-	123.2	-	-	107.1	-	-
85.3	151.2	-	-	144.6	-	-	134.5	-	-	119.3	-	-	105.2	-	-
91.9	136.9	-	-	134.7	-	-	127.9	-	-	115.3	-	-	102.3	-	-
98.4	119.0	-	-	122.6	-	-	121.9	-	-	111.3	-	-	99.2	-	-
105.0	109.1	-	-	112.4	-	-	112.2	-	-	107.4	-	-	96.3	-	-
111.5	-	74.7	-	103.6	-	-	103.4	-	-	102.7	-	-	93.3	-	-
118.1	-	68.6	-	90.8	65.0	-	95.7	-	-	95.0	-	-	88.4	-	-
124.7	-	63.3	-	-	59.7	-	88.8	59.1	-	88.2	-	-	85.3	-	-
131.2	-	58.6	-	-	55.1	-	82.9	54.2	-	82.0	52.9	-	79.8	-	-
137.8	-	54.5	-	-	50.9	-	73.2	50.3	-	76.7	48.7	-	74.5	-	-
144.4	-	50.7	-	-	47.2	-	-	46.5	-	71.9	45.0	-	69.7	41.9	-
150.9	-	-	-	-	43.9	-	-	43.0	-	67.5	41.7	-	65.3	38.6	-
157.5	-	-	24.7	-	41.0	-	-	40.1	-	59.7	38.8	-	61.3	35.5	-
164.0	-	-	22.7	-	38.6	-	-	37.3	-	-	35.9	-	57.8	32.8	-
177.2	-	-	19.4	-	-	15.7	-	32.6	-	-	31.1	-	48.1	28.0	-
190.3	-	-	-	-	-	13.0	-	-	11.7	-	27.1	10.1	-	24.0	-
203.4	-	-	-	-	-	11.0	-	-	9.5	-	-	7.7	-	20.7	-
216.5	-	-	-	-	-	-	-	-	7.5	-	-	5.7	-	18.1	-

ft	177.2 ft			196.9 ft			216.5 ft			236.2 ft		
	87°-85°	75°	65°	87°-85°	75°	65°	87°-85°	75°	65°	87°-85°	75°	65°
	1,000 lb											
65.6	97.4	-	-	-	-	-	-	-	-	-	-	-
72.2	97.4	-	-	77.2	-	-	59.1	-	-	-	-	-
78.7	95.0	-	-	76.1	-	-	59.1	-	-	49.6	-	-
85.3	93.3	-	-	74.1	-	-	58.4	-	-	49.6	-	-
91.9	90.8	-	-	72.3	-	-	56.9	-	-	48.5	-	-
98.4	88.6	-	-	70.5	-	-	55.3	-	-	47.2	-	-
111.5	83.8	-	-	66.8	-	-	52.2	-	-	44.8	-	-
124.7	78.9	-	-	62.8	-	-	49.4	-	-	42.1	-	-
137.8	72.3	-	-	59.1	-	-	46.5	-	-	39.7	-	-
150.9	64.8	37.7	-	55.1	-	-	43.7	-	-	37.3	-	-
157.5	60.8	34.8	-	53.4	33.5	-	42.1	-	-	35.9	-	-
164.0	57.1	32.0	-	51.4	30.9	-	40.8	29.3	-	34.8	-	-
177.2	50.7	27.3	-	47.6	26.0	-	37.7	24.9	-	32.4	22.0	-
190.3	45.6	23.1	-	44.5	22.0	-	35.5	21.2	-	30.0	18.5	-
203.4	-	19.8	-	39.9	18.5	-	33.1	17.9	-	28.0	15.4	-
216.5	-	17.0	-	32.4	15.7	-	30.9	14.8	-	26.0	12.8	-
229.7	-	14.3	-	-	13.0	-	28.2	12.3	-	24.0	10.4	-
242.8	-	-	-	-	10.8	-	-	9.9	-	22.0	8.2	-
255.9	-	-	-	-	9.0	-	-	7.9	-	20.1	6.2	-
269.0	-	-	-	-	-	-	-	6.4	-	-	-	-
282.2	-	-	-	-	-	-	-	-	-	-	-	-

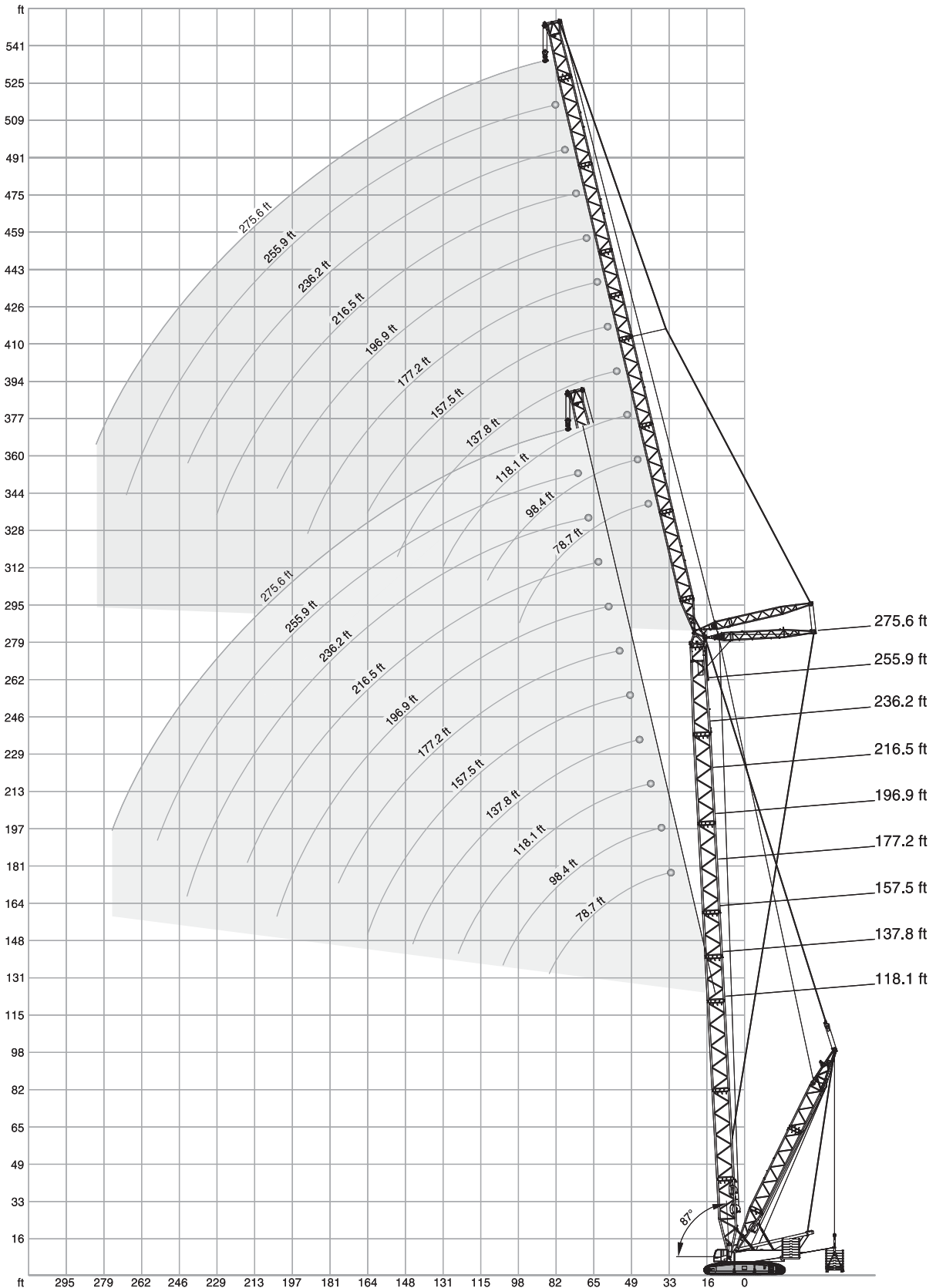
Remarks

Main boom angle 87°-85°, 75° and 65°, capacities for intermediate boom positions are calculated by the crane control system IC-1



SWSL

HA 87°



**SWSL**

35'7"

360°

ISO

118.1 ft + 78.7 ft

0 lb		0 lb - 551,000 lb				
29'6"		32'10" - 52'6"				
352.7 klb + 88.2 klb ZB		264,600 lb				
ft	85°	85°	75°	65°	55°	45°
	1,000 lb					
36.1	-	496.0*	-	-	-	-
39.4	-	496.0*	-	-	-	-
42.7	429.9	496.0	-	-	-	-
45.9	385.8	496.0	-	-	-	-
52.5	317.5	496.0	-	-	-	-
59.1	270.1	493.8	-	-	-	-
65.6	233.7	474.0	-	-	-	-
72.2	206.1	432.1	-	-	-	-
78.7	183.9	384.7	482.8	-	-	-
85.3	165.6	343.9	451.9	-	-	-
91.9	150.4	305.3	426.6	-	-	-
98.4	-	-	390.2	-	-	-
111.5	-	-	315.3	326.3	-	-
124.7	-	-	-	295.4	-	-
131.2	-	-	-	283.3	-	-
137.8	-	-	-	-	249.1	-
150.9	-	-	-	-	226.0	-

118.1 ft + 118.1 ft

ft	1,000 lb				
45.9	-	382.5*	-	-	-
52.5	315.3	383.6	-	-	-
59.1	266.8	383.6	-	-	-
65.6	230.4	377.0	-	-	-
72.2	203.3	363.8	-	-	-
78.7	180.8	348.3	-	-	-
85.3	162.7	330.7	-	-	-
91.9	147.5	310.9	342.8	-	-
98.4	134.5	280.0	340.6	-	-
111.5	114.2	245.8	309.7	-	-
124.7	98.5	207.5	270.1	-	-
131.2	92.2	182.5	250.2	257.9	-
137.8	-	-	230.4	253.5	-
150.9	-	-	198.6	233.7	-
164.0	-	-	-	213.8	194.0
177.2	-	-	-	-	183.9
190.3	-	-	-	-	167.8
193.6	-	-	-	-	144.4
203.4	-	-	-	-	135.8

Remarks

Main boom angle 85°, 75°, 65°, 55° and 45°; capacities for intermediate boom positions are calculated by the crane control system IC-1

* Main boom angle 87°

118.1 ft + 157.5 ft

0 lb		0 lb - 551,000 lb				
29'6"		32'10" - 52'6"				
352.7 klb + 88.2 klb ZB		264,600 lb				
ft	85°	85°	75°	65°	55°	45°
	1,000 lb					
55.8	-	259.0*	-	-	-	-
59.1	-	259.0*	-	-	-	-
62.3	233.7	264.6	-	-	-	-
65.6	227.1	264.6	-	-	-	-
72.2	200.0	264.6	-	-	-	-
78.7	177.7	257.9	-	-	-	-
85.3	159.4	249.1	-	-	-	-
91.9	144.2	242.5	-	-	-	-
98.4	131.4	233.7	-	-	-	-
111.5	110.9	216.1	219.8	-	-	-
124.7	95.2	198.4	216.1	-	-	-
137.8	83.1	170.4	195.3	-	-	-
150.9	73.2	148.6	174.4	-	-	-
157.5	69.0	140.7	164.0	185.0	-	-
164.0	65.3	133.2	157.0	176.4	-	-
177.2	-	-	142.4	159.8	-	-
190.3	-	-	128.1	145.1	151.9	-
203.4	-	-	-	131.8	146.8	-
216.5	-	-	-	-	136.0	-
229.7	-	-	-	-	-	111.3
242.8	-	-	-	-	-	103.2

118.1 ft + 196.9 ft

ft	1,000 lb				
62.3	-	183.9*	-	-	-
65.6	-	183.9*	-	-	-
72.2	164.2	185.2	-	-	-
78.7	164.2	185.2	-	-	-
85.3	157.9	185.2	-	-	-
91.9	142.9	185.2	-	-	-
98.4	129.9	183.0	-	-	-
111.5	109.3	178.6	-	-	-
124.7	93.7	172.0	-	-	-
131.2	87.1	168.7	176.4	-	-
137.8	81.4	162.7	176.4	-	-
150.9	71.4	147.7	167.6	-	-
164.0	63.1	135.4	151.2	-	-
177.2	56.2	125.0	140.2	139.6	-
190.3	50.5	114.6	131.2	139.1	-
203.4	45.6	97.9	121.7	134.3	-
216.5	-	-	110.5	124.8	-
226.4	-	-	-	117.8	114.4
229.7	-	-	-	115.5	113.1
242.8	-	-	-	105.8	107.6
255.9	-	-	-	-	102.3
269.0	-	-	-	-	84.4
282.2	-	-	-	-	80.2

4



SWSL

25'7"

360°

ISO

118.1 ft + 236.2 ft

0 lb		0 lb - 551,000 lb				
29'6"		32'10" - 52'6"				
352.7 klb + 88.2 klb ZB		264,600 lb				
ft	85°	85°	75°	65°	55°	45°
	1,000 lb					
72.2	-	127.6*	-	-	-	-
78.7	-	127.6*	-	-	-	-
85.3	114.4	138.9	-	-	-	-
91.9	114.4	138.9	-	-	-	-
98.4	114.0	138.9	-	-	-	-
111.5	107.6	134.5	-	-	-	-
124.7	91.9	134.5	-	-	-	-
137.8	79.6	131.8	-	-	-	-
144.4	74.3	130.1	123.5	-	-	-
150.9	69.7	127.4	123.5	-	-	-
164.0	61.3	121.9	123.5	-	-	-
177.2	54.5	115.3	122.4	-	-	-
190.3	48.5	105.4	117.9	-	-	-
203.4	43.4	93.3	111.3	95.7	-	-
216.5	39.0	83.6	102.5	95.7	-	-
229.7	34.8	76.3	93.7	94.8	-	-
242.8	31.3	69.0	87.5	93.3	-	-
255.9	-	-	81.4	89.7	84.2	-
269.0	-	-	-	84.0	84.2	-
282.2	-	-	-	78.3	83.1	-
295.3	-	-	-	-	79.6	71.4
308.4	-	-	-	-	-	68.3
321.5	-	-	-	-	-	-

118.1 ft + 275.6 ft

ft	1,000 lb					
85.3	-	88.2*	-	-	-	
91.9	-	88.2*	-	-	-	
98.4	79.1	88.2	-	-	-	
111.5	78.5	88.2	-	-	-	
124.7	77.4	86.0	-	-	-	
137.8	76.1	83.8	-	-	-	
150.9	67.5	82.2	-	-	-	
164.0	59.1	81.1	75.0	-	-	
177.2	52.2	79.4	75.0	-	-	
190.3	46.3	77.2	73.9	-	-	
203.4	41.0	75.0	71.7	-	-	
216.5	36.4	73.4	70.5	-	-	
229.7	32.2	71.2	69.4	61.5	-	
242.8	28.7	65.7	67.2	61.5	-	
255.9	25.4	57.3	64.6	61.1	-	
269.0	22.5	49.2	62.4	60.4	-	
282.2	20.1	42.1	57.8	59.1	53.4	
295.3	-	-	53.6	57.1	53.4	
308.4	-	-	-	54.7	53.4	
321.5	-	-	-	52.2	53.1	42.1
334.6	-	-	-	-	52.2	42.1
347.8	-	-	-	-	-	42.1
360.9	-	-	-	-	-	-

137.8 ft + 78.7 ft

0 lb		0 lb - 551,000 lb				
29'6"		32'10" - 52'6"				
352.7 klb + 88.2 klb ZB		264,600 lb				
ft	85°	85°	75°	65°	55°	45°
	1,000 lb					
36.1	-	491.6*	-	-	-	-
39.4	-	491.6*	-	-	-	-
45.9	382.5	496.0	-	-	-	-
52.5	315.3	496.0	-	-	-	-
59.1	267.9	482.8	-	-	-	-
65.6	231.5	460.8	-	-	-	-
72.2	204.4	438.7	-	-	-	-
78.7	182.1	381.4	-	-	-	-
85.3	164.0	346.1	456.4	-	-	-
91.9	148.8	314.2	429.9	-	-	-
98.4	-	-	407.9	-	-	-
111.5	-	-	340.6	-	-	-
118.1	-	-	307.5	312.0	-	-
124.7	-	-	-	298.7	-	-
137.8	-	-	-	266.8	-	-
150.9	-	-	-	-	220.2	-
164.0	-	-	-	-	205.0	-

137.8 ft + 118.1 ft

ft	1,000 lb					
45.9	-	349.4*	-	-	-	
52.5	-	349.4*	-	-	-	
55.8	286.6	352.7	-	-	-	
59.1	264.6	352.7	-	-	-	
65.6	228.2	352.7	-	-	-	
72.2	201.3	341.7	-	-	-	
78.7	179.2	328.5	-	-	-	
85.3	160.9	315.3	-	-	-	
91.9	145.9	302.0	-	-	-	
98.4	133.2	282.2	323.0	-	-	
111.5	112.9	246.9	313.1	-	-	
124.7	97.4	209.7	277.8	-	-	
131.2	91.1	185.0	260.1	-	-	
137.8	-	-	244.7	238.1	-	
150.9	-	-	213.6	226.0	-	
157.5	-	-	188.7	218.0	-	
164.0	-	-	-	210.8	-	
177.2	-	-	-	196.0	173.1	
190.3	-	-	-	-	163.1	
210.0	-	-	-	-	-	134.3
216.5	-	-	-	-	-	129.0

Remarks

Main boom angle 85°, 75°, 65°, 55° and 45°; capacities for intermediate boom positions are calculated by the crane control system IC-1

* Main boom angle 87°

**SWSL**

25'7"

360°

ISO

137.8 ft + 157.5 ft

0 lb		0 lb - 551,000 lb				
29'6"		32'10" - 52'6"				
352.7 klb + 88.2 klb ZB		264,600 lb				
ft	85°	85°	75°	65°	55°	45°
	1,000 lb					
55.8	-	242.5*	-	-	-	-
59.1	-	242.5*	-	-	-	-
65.6	223.8	242.5	-	-	-	-
72.2	198.2	242.5	-	-	-	-
78.7	175.9	240.3	-	-	-	-
85.3	157.9	235.9	-	-	-	-
91.9	142.9	231.5	-	-	-	-
98.4	130.1	224.9	-	-	-	-
111.5	109.8	209.4	-	-	-	-
118.1	101.4	199.5	212.7	-	-	-
124.7	94.1	189.6	209.7	-	-	-
137.8	82.0	167.6	198.4	-	-	-
150.9	72.1	149.5	180.3	-	-	-
164.0	64.2	134.3	162.9	180.6	-	-
177.2	-	-	148.2	169.1	-	-
190.3	-	-	133.6	153.4	-	-
203.4	-	-	-	139.6	144.6	-
216.5	-	-	-	127.0	138.9	-
229.7	-	-	-	-	131.2	-
242.8	-	-	-	-	-	106.0
255.9	-	-	-	-	-	99.2

137.8 ft + 196.9 ft

ft	1,000 lb				
65.6	-	172.0*	-	-	-
72.2	-	172.0*	-	-	-
78.7	156.7	172.0	-	-	-
85.3	156.5	172.0	-	-	-
91.9	141.3	172.0	-	-	-
98.4	128.5	169.8	-	-	-
111.5	108.2	167.6	-	-	-
124.7	92.6	163.1	-	-	-
131.2	86.2	159.8	165.3	-	-
137.8	80.5	156.1	165.3	-	-
150.9	70.5	145.5	160.9	-	-
164.0	62.4	133.4	149.9	-	-
177.2	55.6	123.9	140.7	-	-
190.3	49.8	114.4	133.6	133.2	-
203.4	44.8	97.7	124.8	131.8	-
216.5	-	-	115.3	127.4	-
229.7	-	-	102.1	120.2	108.9
242.8	-	-	-	111.8	106.5
255.9	-	-	-	103.0	101.6
269.0	-	-	-	-	97.2
275.6	-	-	-	-	84.2
282.2	-	-	-	-	81.4
295.3	-	-	-	-	76.1

Remarks

Main boom angle 85°, 75°, 65°, 55° and 45°; capacities for intermediate boom positions are calculated by the crane control system IC-1

* Main boom angle 87°

137.8 ft + 236.2 ft

0 lb		0 lb - 551,000 lb				
29'6"		32'10" - 52'6"				
352.7 klb + 88.2 klb ZB		264,600 lb				
ft	85°	85°	75°	65°	55°	45°
	1,000 lb					
72.2	-	122.6*	-	-	-	-
78.7	-	122.6*	-	-	-	-
85.3	109.8	132.3	-	-	-	-
91.9	109.8	132.3	-	-	-	-
98.4	109.8	132.3	-	-	-	-
111.5	106.5	130.1	-	-	-	-
124.7	90.8	127.9	-	-	-	-
137.8	78.7	125.7	-	-	-	-
150.9	68.8	123.5	116.8	-	-	-
164.0	60.6	120.8	116.8	-	-	-
177.2	53.6	115.3	116.8	-	-	-
190.3	47.8	105.4	114.6	-	-	-
203.4	42.8	93.0	109.1	-	-	-
216.5	38.4	83.3	101.9	90.8	-	-
229.7	34.2	76.9	95.2	90.8	-	-
242.8	30.6	70.3	89.3	90.8	-	-
255.9	-	-	83.3	90.2	-	-
269.0	-	-	76.3	86.9	79.1	-
282.2	-	-	-	81.6	78.9	-
295.3	-	-	-	76.3	78.5	-
308.4	-	-	-	-	77.4	69.0
321.5	-	-	-	-	-	64.4
334.6	-	-	-	-	-	61.5

137.8 ft + 275.6 ft

ft	1,000 lb				
85.3	-	83.8*	-	-	-
91.9	-	83.8*	-	-	-
98.4	76.3	83.8	-	-	-
111.5	75.6	83.8	-	-	-
124.7	74.7	83.8	-	-	-
137.8	73.6	81.6	-	-	-
150.9	66.6	80.0	-	-	-
164.0	58.4	78.9	72.8	-	-
177.2	51.6	77.2	72.8	-	-
190.3	45.6	75.0	72.8	-	-
203.4	40.3	73.4	71.7	-	-
216.5	35.7	72.3	69.4	-	-
229.7	31.5	70.1	68.3	58.4	-
242.8	28.0	65.0	68.3	58.4	-
255.9	24.7	57.3	67.9	58.4	-
269.0	22.0	49.2	65.0	58.4	-
282.2	19.4	44.1	59.5	58.2	-
295.3	-	-	54.5	57.3	50.0
308.4	-	-	51.6	55.3	50.0
321.5	-	-	-	53.4	50.0
334.6	-	-	-	-	50.0
347.8	-	-	-	-	50.0
360.9	-	-	-	-	40.3

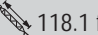


SWSL

 25'7"
 360°
ISO

 157.5 ft +  78.7 ft

0 lb		0 lb - 551,000 lb				
29'6"		32'10" - 52'6"				
352.7 klb + 88.2 klb ZB		264,600 lb				
ft	85°	85°	75°	65°	55°	45°
39.4	-	438.7*	-	-	-	-
45.9	379.2	443.1	-	-	-	-
52.5	313.1	443.1	-	-	-	-
59.1	265.7	423.3	-	-	-	-
65.6	229.3	405.7	-	-	-	-
72.2	202.4	388.0	-	-	-	-
78.7	180.3	370.4	-	-	-	-
85.3	162.3	341.7	423.3	-	-	-
91.9	147.3	312.0	415.6	-	-	-
98.4	-	-	395.7	-	-	-
111.5	-	-	350.5	-	-	-
124.7	-	-	300.9	281.1	-	-
137.8	-	-	-	262.4	-	-
150.9	-	-	-	235.9	-	-
157.5	-	-	-	-	206.4	-
164.0	-	-	-	-	203.0	-
177.2	-	-	-	-	-	-

 157.5 ft +  118.1 ft

0 lb		0 lb - 551,000 lb				
29'6"		32'10" - 52'6"				
352.7 klb + 88.2 klb ZB		264,600 lb				
ft	85°	85°	75°	65°	55°	45°
45.9	-	314.2*	-	-	-	-
52.5	-	314.2*	-	-	-	-
55.8	284.4	317.5	-	-	-	-
59.1	262.4	317.5	-	-	-	-
65.6	227.1	317.5	-	-	-	-
72.2	199.5	308.6	-	-	-	-
78.7	177.5	299.8	-	-	-	-
85.3	159.4	291.0	-	-	-	-
91.9	144.4	282.2	-	-	-	-
98.4	131.6	271.2	-	-	-	-
105.0	120.8	253.5	296.5	-	-	-
111.5	111.6	238.1	295.4	-	-	-
124.7	96.1	215.8	278.9	-	-	-
131.2	89.9	192.9	265.7	-	-	-
137.8	-	-	251.3	-	-	-
150.9	-	-	223.8	223.8	-	-
157.5	-	-	209.2	216.7	-	-
164.0	-	-	-	209.9	-	-
177.2	-	-	-	192.0	-	-
190.3	-	-	-	-	160.5	-
203.4	-	-	-	-	151.9	-
223.1	-	-	-	-	-	124.6
229.7	-	-	-	-	-	119.9

Remarks

Main boom angle 85°, 75°, 65°, 55° and 45°; capacities for intermediate boom positions are calculated by the crane control system IC-1

* Main boom angle 87°

 157.5 ft +  157.5 ft

0 lb		0 lb - 551,000 lb				
29'6"		32'10" - 52'6"				
352.7 klb + 88.2 klb ZB		264,600 lb				
ft	85°	85°	75°	65°	55°	45°
55.8	-	221.6*	-	-	-	-
59.1	-	221.6*	-	-	-	-
65.6	206.1	222.7	-	-	-	-
72.2	196.2	222.7	-	-	-	-
78.7	174.2	222.7	-	-	-	-
85.3	156.3	220.5	-	-	-	-
91.9	141.3	218.3	-	-	-	-
98.4	128.5	213.8	-	-	-	-
111.5	108.5	202.8	-	-	-	-
124.7	93.0	191.8	199.7	-	-	-
137.8	80.9	173.1	193.8	-	-	-
150.9	71.2	151.0	181.4	-	-	-
164.0	63.3	134.7	166.2	-	-	-
173.9	-	-	155.4	173.9	-	-
177.2	-	-	151.9	172.2	-	-
190.3	-	-	138.0	161.6	-	-
203.4	-	-	-	147.7	-	-
216.5	-	-	-	134.7	134.7	-
229.7	-	-	-	-	129.6	-
242.8	-	-	-	-	122.4	-
255.9	-	-	-	-	-	98.5
269.0	-	-	-	-	-	92.6
282.2	-	-	-	-	-	-

 157.5 ft +  196.9 ft

0 lb		0 lb - 551,000 lb				
29'6"		32'10" - 52'6"				
352.7 klb + 88.2 klb ZB		264,600 lb				
ft	85°	85°	75°	65°	55°	45°
65.6	-	156.5*	-	-	-	-
72.2	-	156.5*	-	-	-	-
78.7	145.5	156.5	-	-	-	-
85.3	145.3	156.5	-	-	-	-
91.9	140.0	156.5	-	-	-	-
98.4	127.2	156.5	-	-	-	-
111.5	106.9	154.3	-	-	-	-
124.7	91.5	149.9	-	-	-	-
137.8	79.4	147.3	154.3	-	-	-
150.9	69.4	141.1	154.3	-	-	-
164.0	61.5	130.1	146.6	-	-	-
177.2	54.7	117.9	136.9	-	-	-
190.3	48.9	108.2	133.2	-	-	-
196.9	46.5	104.3	131.6	121.7	-	-
203.4	44.1	100.3	127.2	121.7	-	-
216.5	-	-	118.2	120.2	-	-
229.7	-	-	108.9	116.8	-	-
242.8	-	-	-	110.9	101.6	-
255.9	-	-	-	103.0	99.4	-
269.0	-	-	-	-	95.2	-
282.2	-	-	-	-	91.3	-
288.7	-	-	-	-	-	78.7
295.3	-	-	-	-	-	76.1
308.4	-	-	-	-	-	71.4
321.5	-	-	-	-	-	-

**SWSL**

35'7" 360° ISO

157.5 ft + 236.2 ft

0 lb		0 lb - 551,000 lb				
29'6"		32'10" - 52'6"				
352.7 klb + 88.2 klb ZB		264,600 lb				
ft	85°	85°	75°	65°	55°	45°
78.7	-	112.7*	1,000 lb			
85.3	-	112.7*	-	-	-	-
91.9	102.1	114.6	-	-	-	-
98.4	102.1	114.6	-	-	-	-
111.5	102.1	114.6	-	-	-	-
124.7	89.9	114.6	-	-	-	-
137.8	77.6	114.2	-	-	-	-
150.9	67.9	112.0	-	-	-	-
157.5	63.5	110.2	103.6	-	-	-
164.0	59.7	108.7	103.6	-	-	-
177.2	52.9	105.4	103.6	-	-	-
190.3	47.2	101.0	102.5	-	-	-
203.4	42.1	93.3	101.4	-	-	-
216.5	37.5	82.2	99.2	84.2	-	-
229.7	33.5	72.1	95.2	84.2	-	-
242.8	30.0	65.3	90.6	84.0	-	-
255.9	-	-	84.9	84.0	-	-
269.0	-	-	79.4	83.1	73.0	-
282.2	-	-	-	80.9	73.0	-
295.3	-	-	-	77.8	73.0	-
308.4	-	-	-	-	72.3	-
321.5	-	-	-	-	72.3	54.0
334.6	-	-	-	-	-	52.0
347.8	-	-	-	-	-	50.3
360.9	-	-	-	-	-	-

157.5 ft + 275.6 ft

ft	1,000 lb				
85.3	-	79.4*	-	-	-
91.9	-	79.4*	-	-	-
98.4	70.8	79.4	-	-	-
111.5	70.5	79.4	-	-	-
124.7	69.9	79.4	-	-	-
137.8	68.8	77.2	-	-	-
150.9	65.7	75.6	-	-	-
164.0	57.5	74.5	-	-	-
177.2	50.7	72.8	68.3	-	-
190.3	44.8	71.2	68.3	-	-
203.4	39.5	70.1	68.3	-	-
216.5	34.8	68.3	67.2	-	-
229.7	30.9	66.8	66.1	-	-
242.8	27.3	64.6	66.1	54.7	-
255.9	24.0	59.1	66.1	54.7	-
269.0	21.4	50.7	65.7	54.7	-
282.2	18.7	41.9	62.4	54.7	-
295.3	-	-	56.2	54.5	-
308.4	-	-	52.2	53.8	46.7
321.5	-	-	-	52.9	46.7
334.6	-	-	-	51.8	46.7
347.8	-	-	-	-	46.7
360.9	-	-	-	-	46.7
374.0	-	-	-	-	37.7
387.1	-	-	-	-	-

177.2 ft + 78.7 ft

0 lb		0 lb - 551,000 lb				
29'6"		32'10" - 52'6"				
352.7 klb + 88.2 klb ZB		264,600 lb				
ft	85°	85°	75°	65°	55°	45°
39.4	-	389.1*	1,000 lb			
45.9	-	389.1*	-	-	-	-
49.2	339.5	392.4	-	-	-	-
52.5	309.7	392.4	-	-	-	-
59.1	262.4	377.0	-	-	-	-
65.6	227.1	363.8	-	-	-	-
72.2	200.4	352.7	-	-	-	-
78.7	178.4	339.5	-	-	-	-
85.3	160.5	326.3	-	-	-	-
91.9	145.5	304.2	368.2	-	-	-
98.4	132.9	280.0	363.8	-	-	-
111.5	-	-	338.4	-	-	-
124.7	-	-	304.2	-	-	-
131.2	-	-	-	262.4	-	-
137.8	-	-	-	257.9	-	-
150.9	-	-	-	231.5	-	-
157.5	-	-	-	220.5	-	-

177.2 ft + 118.1 ft

ft	1,000 lb				
49.2	-	281.1*	-	-	-
52.5	-	281.1*	-	-	-
59.1	259.0	284.4	-	-	-
65.6	224.9	284.4	-	-	-
72.2	197.3	275.6	-	-	-
78.7	175.5	269.0	-	-	-
85.3	157.6	260.1	-	-	-
91.9	142.9	253.5	-	-	-
98.4	130.1	246.9	-	-	-
111.5	110.2	233.7	262.4	-	-
124.7	94.8	203.9	256.8	-	-
131.2	88.6	197.1	251.3	-	-
137.8	83.1	173.9	243.6	-	-
150.9	-	-	227.1	-	-
157.5	-	-	216.1	210.3	-
164.0	-	-	204.4	206.1	-
177.2	-	-	-	188.1	-
190.3	-	-	-	173.1	-
203.4	-	-	-	-	149.3
216.5	-	-	-	-	140.7
229.7	-	-	-	-	-

Remarks

Main boom angle 85°, 75°, 65°, 55° and 45°; capacities for intermediate boom positions are calculated by the crane control system IC-1

* Main boom angle 87°



SWSL

35'7"

360°

ISO

177.2 ft + 157.5 ft

0 lb		0 lb - 551,000 lb				
29'6"		32'10" - 52'6"				
352.7 klb + 88.2 klb ZB		264,600 lb				
ft	85°	85°	75°	65°	55°	45°
	1,000 lb					
55.8	-	201.7*	-	-	-	-
59.1	-	201.7*	-	-	-	-
65.6	-	201.7*	-	-	-	-
72.2	187.8	202.8	-	-	-	-
78.7	172.4	202.8	-	-	-	-
85.3	154.5	200.6	-	-	-	-
91.9	139.6	198.4	-	-	-	-
98.4	127.0	194.0	-	-	-	-
111.5	106.9	185.2	-	-	-	-
124.7	91.7	176.4	184.1	-	-	-
137.8	79.8	166.0	182.3	-	-	-
150.9	70.1	149.9	174.6	-	-	-
164.0	62.2	132.1	163.8	-	-	-
177.2	-	-	151.7	163.1	-	-
190.3	-	-	138.9	160.7	-	-
203.4	-	-	126.1	152.6	-	-
216.5	-	-	-	141.1	-	-
229.7	-	-	-	129.4	114.9	-
242.8	-	-	-	-	109.8	-
255.9	-	-	-	-	104.9	-
269.0	-	-	-	-	-	89.9
282.2	-	-	-	-	-	85.1
295.3	-	-	-	-	-	-

177.2 ft + 196.9 ft

ft	1,000 lb				
65.6	-	146.8*	-	-	-
72.2	-	146.8*	-	-	-
78.7	134.0	156.5	-	-	-
85.3	134.0	156.5	-	-	-
91.9	133.8	156.5	-	-	-
98.4	125.9	154.3	-	-	-
111.5	105.8	147.7	-	-	-
124.7	90.4	138.9	-	-	-
137.8	78.3	135.1	-	-	-
144.4	73.2	133.4	141.1	-	-
150.9	68.6	131.8	141.1	-	-
164.0	60.6	126.3	138.9	-	-
177.2	53.8	115.7	131.0	-	-
190.3	48.1	101.9	125.0	-	-
203.4	43.4	90.8	121.0	113.1	-
216.5	-	-	114.2	112.9	-
229.7	-	-	105.8	112.2	-
242.8	-	-	97.4	110.9	-
255.9	-	-	-	106.3	95.5
269.0	-	-	-	99.4	92.6
282.2	-	-	-	-	89.1
295.3	-	-	-	-	85.5
308.4	-	-	-	-	69.9
321.5	-	-	-	-	65.5
334.6	-	-	-	-	-

Remarks: * Main boom angle 87°

See page 57

177.2 ft + 236.2 ft

0 lb		0 lb - 551,000 lb				
29'6"		32'10" - 52'6"				
352.7 klb + 88.2 klb ZB		264,600 lb				
ft	85°	85°	75°	65°	55°	45°
	1,000 lb					
78.7	-	104.5*	-	-	-	-
85.3	-	104.5*	-	-	-	-
91.9	94.6	110.2	-	-	-	-
98.4	94.4	110.2	-	-	-	-
111.5	94.4	110.2	-	-	-	-
124.7	88.6	105.8	-	-	-	-
137.8	76.7	102.5	-	-	-	-
150.9	66.8	101.0	-	-	-	-
157.5	62.6	100.3	94.8	-	-	-
164.0	58.9	99.9	94.8	-	-	-
177.2	52.0	99.2	94.8	-	-	-
190.3	46.3	98.1	94.8	-	-	-
203.4	41.2	93.3	93.7	-	-	-
216.5	36.6	83.8	91.5	-	-	-
229.7	32.6	72.8	89.1	76.7	-	-
242.8	29.3	60.4	86.6	76.7	-	-
255.9	-	-	82.9	76.7	-	-
269.0	-	-	79.1	76.7	-	-
282.2	-	-	74.3	76.5	66.1	-
295.3	-	-	-	76.1	65.9	-
308.4	-	-	-	75.8	65.9	-
321.5	-	-	-	-	65.5	-
334.6	-	-	-	-	65.3	48.9
347.8	-	-	-	-	-	47.6
360.9	-	-	-	-	-	46.1

177.2 ft + 275.6 ft

ft	1,000 lb				
85.3	-	75.0*	-	-	-
91.9	-	75.0*	-	-	-
98.4	65.3	75.0	-	-	-
111.5	65.3	75.0	-	-	-
124.7	64.8	75.0	-	-	-
137.8	63.9	72.8	-	-	-
150.9	63.1	70.5	-	-	-
164.0	56.7	68.3	-	-	-
177.2	49.8	65.7	63.9	-	-
190.3	43.9	62.4	63.9	-	-
203.4	38.6	59.5	63.9	-	-
216.5	34.2	58.0	63.9	-	-
229.7	30.0	57.3	62.8	-	-
242.8	26.5	57.3	61.3	-	-
255.9	23.4	56.2	59.5	50.0	-
269.0	20.7	51.8	58.0	50.0	-
282.2	18.1	44.1	57.3	50.0	-
295.3	-	-	55.8	50.0	-
308.4	-	-	52.7	50.0	41.9
321.5	-	-	-	50.0	41.9
334.6	-	-	-	50.0	41.9
347.8	-	-	-	50.0	41.9
360.9	-	-	-	-	41.9
374.0	-	-	-	-	41.9
387.1	-	-	-	-	34.2
400.3	-	-	-	-	34.0
413.4	-	-	-	-	33.5

**SWSL**

25'7"

360°

ISO

196.9 ft + 78.7 ft

0 lb		0 lb - 551,000 lb				
29'6"		32'10" - 52'6"				
352.7 klb + 88.2 klb ZB		264,600 lb				
ft	85°	85°	75°	65°	55°	45°
	1,000 lb					
39.4	-	337.3*	-	-	-	-
45.9	-	337.3*	-	-	-	-
49.2	317.5	337.3	-	-	-	-
52.5	306.4	337.3	-	-	-	-
59.1	260.1	330.7	-	-	-	-
65.6	224.9	319.7	-	-	-	-
72.2	198.0	306.4	-	-	-	-
78.7	176.4	295.4	-	-	-	-
85.3	158.5	284.4	-	-	-	-
91.9	143.7	277.8	-	-	-	-
98.4	131.4	269.0	312.0	-	-	-
111.5	-	-	297.6	-	-	-
124.7	-	-	274.5	-	-	-
131.2	-	-	261.2	-	-	-
144.4	-	-	-	237.0	-	-
150.9	-	-	-	226.0	-	-
164.0	-	-	-	205.9	-	-
183.7	-	-	-	-	166.4	-
190.3	-	-	-	-	162.0	-

196.9 ft + 118.1 ft

ft	1,000 lb				
49.2	-	244.7*	-	-	-
52.5	-	244.7*	-	-	-
59.1	229.3	244.7	-	-	-
65.6	221.6	244.7	-	-	-
72.2	195.1	242.5	-	-	-
78.7	173.5	235.9	-	-	-
85.3	155.6	229.3	-	-	-
91.9	141.1	222.7	-	-	-
98.4	128.5	218.3	-	-	-
111.5	108.7	205.0	-	-	-
118.1	100.5	200.6	229.3	-	-
124.7	93.5	196.2	226.0	-	-
131.2	87.3	176.4	221.6	-	-
137.8	81.8	167.6	216.5	-	-
150.9	-	-	203.9	-	-
164.0	-	-	190.5	195.3	-
177.2	-	-	-	183.9	-
190.3	-	-	-	168.9	-
203.4	-	-	-	156.1	-
213.3	-	-	-	-	138.5
216.5	-	-	-	-	135.8
229.7	-	-	-	-	126.8
242.8	-	-	-	-	-

Remarks

Main boom angle 85°, 75°, 65°, 55° and 45°; capacities for intermediate boom positions are calculated by the crane control system IC-1

* Main boom angle 87°

196.9 ft + 157.5 ft

0 lb		0 lb - 551,000 lb				
29'6"		32'10" - 52'6"				
352.7 klb + 88.2 klb ZB		264,600 lb				
ft	85°	85°	75°	65°	55°	45°
	1,000 lb					
59.1	-	178.6*	-	-	-	-
65.6	-	178.6*	-	-	-	-
72.2	170.0	178.6	-	-	-	-
78.7	169.1	178.6	-	-	-	-
85.3	152.6	176.4	-	-	-	-
91.9	137.8	174.2	-	-	-	-
98.4	125.4	172.0	-	-	-	-
111.5	105.6	165.3	-	-	-	-
124.7	90.4	156.5	-	-	-	-
131.2	84.0	153.2	166.7	-	-	-
137.8	78.5	149.9	166.7	-	-	-
150.9	68.8	141.8	164.2	-	-	-
164.0	61.1	129.2	159.0	-	-	-
177.2	54.7	119.3	151.9	-	-	-
190.3	-	-	142.0	147.5	-	-
203.4	-	-	130.1	146.4	-	-
216.5	-	-	-	140.7	-	-
229.7	-	-	-	131.0	-	-
242.8	-	-	-	122.6	106.5	-
255.9	-	-	-	-	102.1	-
269.0	-	-	-	-	97.7	-
282.2	-	-	-	-	-	81.6
295.3	-	-	-	-	-	76.5

196.9 ft + 196.9 ft

ft	1,000 lb				
65.6	-	132.3*	-	-	-
72.2	-	132.3*	-	-	-
78.7	-	132.3*	-	-	-
85.3	121.5	132.3	-	-	-
91.9	120.6	132.3	-	-	-
98.4	119.7	132.3	-	-	-
111.5	104.3	130.1	-	-	-
124.7	89.1	125.7	-	-	-
137.8	77.2	121.9	-	-	-
150.9	67.5	118.6	127.9	-	-
164.0	59.5	114.6	127.9	-	-
177.2	52.9	109.8	124.6	-	-
190.3	47.4	101.4	115.7	-	-
203.4	42.5	86.0	107.8	-	-
216.5	-	-	103.6	102.3	-
229.7	-	-	98.8	101.6	-
242.8	-	-	93.9	101.0	-
255.9	-	-	-	99.6	-
269.0	-	-	-	96.8	87.1
282.2	-	-	-	93.3	85.3
295.3	-	-	-	-	82.2
308.4	-	-	-	-	79.1
321.5	-	-	-	-	62.6
334.6	-	-	-	-	58.9
347.8	-	-	-	-	-



SWSL

35'7"

360°

ISO

196.9 ft + 236.2 ft

0 lb		0 lb - 551,000 lb				
29'6"		32'10" - 52'6"				
352.7 klb + 88.2 klb ZB		264,600 lb				
ft	85°	85°	75°	65°	55°	45°
78.7	-	96.3*	1,000 lb			
85.3	-	96.3*	-	-	-	-
91.9	86.6	99.2	-	-	-	-
98.4	86.6	99.2	-	-	-	-
111.5	86.4	99.2	-	-	-	-
124.7	84.9	97.0	-	-	-	-
137.8	75.6	96.6	-	-	-	-
150.9	65.9	94.8	-	-	-	-
164.0	58.0	93.3	83.8	-	-	-
177.2	51.1	92.2	83.8	-	-	-
190.3	45.4	90.4	83.8	-	-	-
203.4	40.3	87.7	83.8	-	-	-
216.5	35.7	82.7	83.8	-	-	-
229.7	32.0	74.5	83.3	69.2	-	-
242.8	28.4	59.1	80.5	69.2	-	-
255.9	-	-	75.6	69.2	-	-
269.0	-	-	70.5	69.2	-	-
282.2	-	-	67.2	69.2	-	-
295.3	-	-	-	69.2	59.3	-
308.4	-	-	-	69.0	59.1	-
321.5	-	-	-	-	59.1	-
334.6	-	-	-	-	59.1	-
347.8	-	-	-	-	58.4	44.1
360.9	-	-	-	-	-	43.0
374.0	-	-	-	-	-	41.7

196.9 ft + 275.6 ft

ft	1,000 lb				
85.3	-	65.0*	-	-	-
91.9	-	65.0*	-	-	-
98.4	-	65.0*	-	-	-
105.0	56.4	66.1	-	-	-
111.5	56.2	66.1	-	-	-
124.7	55.6	66.1	-	-	-
137.8	54.9	66.1	-	-	-
150.9	53.8	65.7	-	-	-
164.0	52.7	64.6	-	-	-
177.2	48.1	63.5	-	-	-
190.3	42.5	61.7	57.3	-	-
203.4	37.7	60.2	57.3	-	-
216.5	33.3	59.1	57.3	-	-
229.7	29.3	58.0	57.3	-	-
242.8	25.8	56.9	57.3	-	-
255.9	22.7	55.1	57.3	44.8	-
269.0	19.8	51.4	56.9	44.8	-
282.2	17.4	34.4	55.8	44.8	-
295.3	-	-	54.7	44.8	-
308.4	-	-	51.8	44.8	-
321.5	-	-	47.2	44.8	37.0
334.6	-	-	-	44.8	37.0
347.8	-	-	-	44.8	37.0
360.9	-	-	-	-	37.0
374.0	-	-	-	-	37.0
387.1	-	-	-	-	36.8
400.3	-	-	-	-	29.8

216.5 ft + 78.7 ft

0 lb		0 lb - 551,000 lb				
29'6"		32'10" - 52'6"				
352.7 klb + 88.2 klb ZB		264,600 lb				
ft	85°	85°	75°	65°	55°	45°
42.7	-	294.3*	1,000 lb			
45.9	-	289.9*	-	-	-	-
52.5	287.7	294.3	-	-	-	-
59.1	256.8	287.7	-	-	-	-
65.6	222.7	276.7	-	-	-	-
72.2	195.8	266.8	-	-	-	-
78.7	174.2	257.9	-	-	-	-
85.3	156.5	249.1	-	-	-	-
91.9	141.8	242.5	-	-	-	-
98.4	129.4	233.7	-	-	-	-
105.0	-	-	280.0	-	-	-
111.5	-	-	271.2	-	-	-
124.7	-	-	251.3	-	-	-
137.8	-	-	228.2	-	-	-
150.9	-	-	-	220.2	-	-
164.0	-	-	-	200.8	-	-
196.9	-	-	-	-	151.5	-
203.4	-	-	-	-	145.9	-
216.5	-	-	-	-	-	-

216.5 ft + 118.1 ft

ft	1,000 lb				
49.2	-	215.2*	-	-	-
52.5	-	215.2*	-	-	-
59.1	-	210.1*	-	-	-
62.3	211.6	215.4	-	-	-
65.6	211.6	215.4	-	-	-
72.2	192.9	210.8	-	-	-
78.7	171.3	205.3	-	-	-
85.3	153.7	200.6	-	-	-
91.9	139.1	194.0	-	-	-
98.4	126.8	189.6	-	-	-
111.5	107.1	178.6	-	-	-
118.1	99.0	173.1	205.9	-	-
124.7	92.2	167.6	204.8	-	-
131.2	86.0	163.1	201.1	-	-
137.8	80.5	158.7	195.6	-	-
150.9	-	-	184.5	-	-
164.0	-	-	172.0	-	-
177.2	-	-	158.7	174.4	-
190.3	-	-	-	164.7	-
203.4	-	-	-	152.1	-
226.4	-	-	-	-	124.1
229.7	-	-	-	-	121.9
242.8	-	-	-	-	114.2

Remarks

Main boom angle 85°, 75°, 65°, 55° and 45°; capacities for intermediate boom positions are calculated by the crane control system IC-1

* Main boom angle 87°

**SWSL**

25'7"

360°

ISO

216.5 ft + 157.5 ft

0 lb		0 lb - 551,000 lb				
29'6"		32'10" - 52'6"				
352.7 klb + 88.2 klb ZB		264,600 lb				
	85°	85°	75°	65°	55°	45°
ft	1,000 lb					
59.1	-	159.2*	-	-	-	-
65.6	-	158.7*	-	-	-	-
72.2	155.9	159.8	-	-	-	-
78.7	155.9	158.7	-	-	-	-
85.3	150.6	156.5	-	-	-	-
91.9	136.0	154.3	-	-	-	-
98.4	123.7	152.1	-	-	-	-
111.5	104.1	145.5	-	-	-	-
124.7	89.1	138.9	-	-	-	-
137.8	77.2	132.3	154.3	-	-	-
150.9	67.7	126.3	151.0	-	-	-
164.0	60.0	119.7	144.6	-	-	-
177.2	53.6	110.2	138.7	-	-	-
190.3	-	-	131.6	-	-	-
203.4	-	-	123.7	132.9	-	-
216.5	-	-	116.2	129.6	-	-
229.7	-	-	-	124.6	-	-
242.8	-	-	-	117.9	-	-
255.9	-	-	-	-	98.1	-
269.0	-	-	-	-	94.4	-
282.2	-	-	-	-	90.4	-
295.3	-	-	-	-	-	72.1
308.4	-	-	-	-	-	67.7

216.5 ft + 196.9 ft

		1,000 lb				
72.2	-	119.0*	-	-	-	-
78.7	-	119.0*	-	-	-	-
85.3	112.4	119.0	-	-	-	-
91.9	111.8	119.0	-	-	-	-
98.4	110.5	119.0	-	-	-	-
111.5	103.0	114.6	-	-	-	-
124.7	87.7	112.4	-	-	-	-
137.8	76.1	108.0	-	-	-	-
150.9	66.4	103.2	112.4	-	-	-
164.0	58.6	98.1	112.4	-	-	-
177.2	52.0	94.4	111.3	-	-	-
190.3	46.3	90.4	109.1	-	-	-
203.4	41.4	84.4	103.6	-	-	-
216.5	37.3	75.0	95.9	90.8	-	-
229.7	-	-	89.1	90.8	-	-
242.8	-	-	83.3	90.2	-	-
255.9	-	-	-	88.4	-	-
269.0	-	-	-	85.5	-	-
282.2	-	-	-	81.6	75.8	-
295.3	-	-	-	-	75.8	-
308.4	-	-	-	-	75.0	-
321.5	-	-	-	-	71.9	-
334.6	-	-	-	-	-	48.1
347.8	-	-	-	-	-	46.5
360.9	-	-	-	-	-	-

216.5 ft + 236.2 ft

0 lb		0 lb - 551,000 lb				
29'6"		32'10" - 52'6"				
352.7 klb + 88.2 klb ZB		264,600 lb				
	85°	85°	75°	65°	55°	45°
ft	1,000 lb					
78.7	-	88.2*	-	-	-	-
85.3	-	88.2*	-	-	-	-
91.9	81.1	88.2	-	-	-	-
98.4	81.1	88.2	-	-	-	-
111.5	79.8	88.2	-	-	-	-
124.7	77.8	86.0	-	-	-	-
137.8	73.9	83.8	-	-	-	-
150.9	64.6	81.6	-	-	-	-
164.0	56.9	80.0	-	-	-	-
177.2	50.3	78.9	79.4	-	-	-
190.3	44.3	77.2	78.3	-	-	-
203.4	39.2	75.0	75.0	-	-	-
216.5	34.8	72.3	72.8	-	-	-
229.7	31.1	69.0	72.8	-	-	-
242.8	27.6	54.9	72.8	62.6	-	-
255.9	-	-	71.7	62.6	-	-
269.0	-	-	68.3	62.6	-	-
282.2	-	-	61.7	62.6	-	-
295.3	-	-	-	61.9	-	-
308.4	-	-	-	60.2	52.5	-
321.5	-	-	-	57.8	52.0	-
334.6	-	-	-	-	52.0	-
347.8	-	-	-	-	52.0	-
360.9	-	-	-	-	51.4	39.0
374.0	-	-	-	-	-	38.4
387.1	-	-	-	-	-	37.3
400.3	-	-	-	-	-	-

Remarks

Main boom angle 85°, 75°, 65°, 55° and 45°; capacities for intermediate boom positions are calculated by the crane control system IC-1

* Main boom angle 87°

4



SWSL

25'7"

360°

ISO

216.5 ft + 275.6 ft

0 lb		0 lb - 551,000 lb				
29'6"		32'10" - 52'6"				
352.7 klb + 88.2 klb ZB		264,600 lb				
ft	85°	85°	75°	65°	55°	45°
	1,000 lb					
85.3	-	57.3*	-	-	-	-
91.9	-	57.3*	-	-	-	-
98.4	-	57.3*	-	-	-	-
105.0	52.9	57.3	-	-	-	-
111.5	52.9	57.3	-	-	-	-
124.7	52.2	57.3	-	-	-	-
137.8	51.6	57.3	-	-	-	-
150.9	50.7	56.9	-	-	-	-
164.0	49.2	55.8	-	-	-	-
177.2	46.1	54.7	-	-	-	-
190.3	40.8	53.6	50.7	-	-	-
203.4	36.2	52.5	50.7	-	-	-
216.5	32.2	51.4	50.7	-	-	-
229.7	28.4	50.7	50.0	-	-	-
242.8	24.9	50.3	49.2	-	-	-
255.9	21.8	48.5	48.5	-	-	-
269.0	19.2	46.3	48.5	40.6	-	-
282.2	16.8	34.6	48.5	40.6	-	-
295.3	-	-	48.5	40.6	-	-
308.4	-	-	48.5	40.6	-	-
321.5	-	-	42.5	40.3	-	-
334.6	-	-	-	40.1	32.8	-
347.8	-	-	-	39.9	32.6	-
360.9	-	-	-	39.5	32.6	-
374.0	-	-	-	-	32.6	-
387.1	-	-	-	-	32.6	-
400.3	-	-	-	-	-	24.5
413.4	-	-	-	-	-	24.5
426.5	-	-	-	-	-	24.5

236.2 ft + 78.7 ft

ft	1,000 lb				
42.7	-	254.6*	-	-	-
45.9	-	251.3*	-	-	-
52.5	244.7	253.5	-	-	-
59.1	244.7	249.1	-	-	-
65.6	219.8	240.3	-	-	-
72.2	193.1	231.5	-	-	-
78.7	171.7	222.7	-	-	-
85.3	154.3	214.1	-	-	-
91.9	139.8	211.6	-	-	-
98.4	127.6	205.0	-	-	-
105.0	117.1	189.6	-	-	-
111.5	-	-	233.7	-	-
124.7	-	-	216.9	-	-
137.8	-	-	198.0	-	-
144.4	-	-	188.3	-	-
157.5	-	-	-	198.0	-
164.0	-	-	-	195.8	-
177.2	-	-	-	178.8	-
203.4	-	-	-	-	140.2
216.5	-	-	-	-	130.3
229.7	-	-	-	-	-

236.2 ft + 118.1 ft

0 lb		0 lb - 551,000 lb				
29'6"		32'10" - 52'6"				
352.7 klb + 88.2 klb ZB		264,600 lb				
ft	85°	85°	75°	65°	55°	45°
	1,000 lb					
52.5	-	188.3*	-	-	-	-
59.1	-	183.9*	-	-	-	-
62.3	182.1	188.5	-	-	-	-
65.6	182.1	188.5	-	-	-	-
72.2	180.1	183.9	-	-	-	-
78.7	169.1	179.0	-	-	-	-
85.3	151.7	174.2	-	-	-	-
91.9	137.1	169.8	-	-	-	-
98.4	125.0	165.3	-	-	-	-
111.5	105.4	156.5	-	-	-	-
124.7	90.6	147.7	174.8	-	-	-
131.2	84.4	140.0	174.2	-	-	-
137.8	78.9	134.0	169.8	-	-	-
150.9	-	-	159.4	-	-	-
164.0	-	-	147.7	-	-	-
177.2	-	-	136.2	-	-	-
187.0	-	-	-	147.7	-	-
190.3	-	-	-	145.7	-	-
203.4	-	-	-	136.7	-	-
216.5	-	-	-	125.9	-	-
236.2	-	-	-	-	107.4	-
242.8	-	-	-	-	104.9	-
255.9	-	-	-	-	100.8	-

236.2 ft + 157.5 ft

ft	1,000 lb				
59.1	-	140.9*	-	-	-
65.6	-	139.3*	-	-	-
72.2	-	138.9*	-	-	-
78.7	136.5	139.8	-	-	-
85.3	134.5	138.9	-	-	-
91.9	132.3	136.7	-	-	-
98.4	121.9	132.3	-	-	-
111.5	102.3	127.9	-	-	-
124.7	87.5	123.5	-	-	-
137.8	75.8	117.5	-	-	-
144.4	70.8	114.6	132.3	-	-
150.9	66.4	112.0	132.3	-	-
164.0	58.6	106.5	130.1	-	-
177.2	52.5	101.4	122.4	-	-
190.3	-	-	112.4	-	-
203.4	-	-	104.5	110.2	-
216.5	-	-	97.4	108.5	-
229.7	-	-	-	104.1	-
242.8	-	-	-	97.7	-
255.9	-	-	-	90.6	-
269.0	-	-	-	-	88.8
282.2	-	-	-	-	84.2
295.3	-	-	-	-	78.5
308.4	-	-	-	-	62.6
321.5	-	-	-	-	58.9

Remarks: * Main boom angle 87°

See page 61

**SWSL**

25'7"

360°

ISO

236.2 ft + 196.9 ft

0 lb		0 lb - 551,000 lb				
29'6"		32'10" - 52'6"				
352.7 klb + 88.2 klb ZB		264,600 lb				
ft	85°	85°	75°	65°	55°	45°
	1,000 lb					
72.2	-	103.6*	-	-	-	-
78.7	-	103.6*	-	-	-	-
85.3	96.3	103.6	-	-	-	-
91.9	96.3	103.6	-	-	-	-
98.4	94.8	103.6	-	-	-	-
111.5	91.5	99.2	-	-	-	-
124.7	86.4	99.2	-	-	-	-
137.8	74.7	94.8	-	-	-	-
150.9	65.3	90.4	-	-	-	-
157.5	61.1	88.2	97.0	-	-	-
164.0	57.5	86.0	97.0	-	-	-
177.2	50.9	82.2	95.9	-	-	-
190.3	45.4	78.9	94.8	-	-	-
203.4	40.3	74.5	92.6	-	-	-
216.5	36.2	68.3	89.3	-	-	-
229.7	-	-	85.5	73.9	-	-
242.8	-	-	80.0	73.2	-	-
255.9	-	-	75.0	71.2	-	-
269.0	-	-	-	68.3	-	-
282.2	-	-	-	64.8	-	-
295.3	-	-	-	61.1	59.7	-
308.4	-	-	-	-	59.1	-
321.5	-	-	-	-	57.1	-
334.6	-	-	-	-	54.2	-
347.8	-	-	-	-	-	42.5
360.9	-	-	-	-	-	41.2

236.2 ft + 236.2 ft

ft	1,000 lb				
78.7	-	73.2*	-	-	-
85.3	-	72.8*	-	-	-
91.9	-	72.8*	-	-	-
98.4	69.4	72.8	-	-	-
111.5	68.1	72.8	-	-	-
124.7	65.9	72.8	-	-	-
137.8	63.5	72.8	-	-	-
150.9	60.6	72.3	-	-	-
164.0	54.7	71.2	-	-	-
177.2	48.3	70.1	68.3	-	-
190.3	43.2	68.3	68.3	-	-
203.4	38.4	66.1	67.2	-	-
216.5	34.0	63.9	66.1	-	-
229.7	30.2	60.6	66.1	-	-
242.8	26.7	57.3	65.7	-	-
255.9	23.8	55.1	63.9	50.5	-
269.0	-	-	61.7	50.3	-
282.2	-	-	59.5	49.6	-
295.3	-	-	57.3	48.1	-
308.4	-	-	-	46.3	-
321.5	-	-	-	43.9	39.5
334.6	-	-	-	41.4	39.5
347.8	-	-	-	-	39.2
360.9	-	-	-	-	38.1
374.0	-	-	-	-	27.1
387.1	-	-	-	-	27.1

236.2 ft + 275.6 ft

0 lb		0 lb - 551,000 lb				
29'6"		32'10" - 52'6"				
352.7 klb + 88.2 klb ZB		264,600 lb				
ft	85°	85°	75°	65°	55°	45°
	1,000 lb					
85.3	-	49.6*	-	-	-	-
91.9	-	49.6*	-	-	-	-
98.4	-	48.9*	-	-	-	-
105.0	46.3	48.9	-	-	-	-
111.5	46.3	48.5	-	-	-	-
124.7	45.4	47.2	-	-	-	-
137.8	44.1	46.3	-	-	-	-
150.9	42.5	46.3	-	-	-	-
164.0	40.6	46.3	-	-	-	-
177.2	38.8	46.3	-	-	-	-
190.3	36.8	46.3	46.3	-	-	-
203.4	34.2	46.3	46.3	-	-	-
216.5	30.4	46.3	46.3	-	-	-
229.7	26.9	45.9	46.3	-	-	-
242.8	24.0	44.8	45.9	-	-	-
255.9	21.2	44.1	44.8	-	-	-
269.0	18.5	43.0	43.7	32.2	-	-
282.2	16.1	41.4	42.5	32.2	-	-
295.3	13.9	40.3	41.4	32.2	-	-
308.4	-	-	40.3	32.0	-	-
321.5	-	-	39.2	31.5	-	-
334.6	-	-	37.5	30.9	-	-
347.8	-	-	-	29.5	23.6	-
360.9	-	-	-	28.0	23.6	-
374.0	-	-	-	26.5	23.6	-
387.1	-	-	-	-	23.4	-
400.3	-	-	-	-	22.9	-
413.4	-	-	-	-	-	14.3
426.5	-	-	-	-	-	14.3
439.6	-	-	-	-	-	14.3
452.8	-	-	-	-	-	-

Remarks

Main boom angle 85°, 75°, 65°, 55° and 45°; capacities for intermediate boom positions are calculated by the crane control system IC-1

* Main boom angle 87°



SWSL

35'7"

360°

ISO

255.9 ft + 78.7 ft

0 lb		0 lb - 551,000 lb				
29'6"		32'10" - 52'6"				
352.7 klb + 88.2 klb ZB		264,600 lb				
ft	85°	85°	75°	65°	55°	45°
	1,000 lb					
42.7	-	219.6*	-	-	-	-
45.9	-	219.6*	-	-	-	-
52.5	-	212.5*	-	-	-	-
55.8	211.6	219.8	-	-	-	-
59.1	211.6	217.2	-	-	-	-
65.6	205.5	210.1	-	-	-	-
72.2	191.4	202.4	-	-	-	-
78.7	170.2	194.7	-	-	-	-
85.3	152.8	187.4	-	-	-	-
91.9	138.5	183.0	-	-	-	-
98.4	126.1	180.8	-	-	-	-
105.0	115.7	166.4	-	-	-	-
111.5	-	-	199.1	-	-	-
124.7	-	-	196.2	-	-	-
137.8	-	-	175.3	-	-	-
150.9	-	-	156.5	-	-	-
170.6	-	-	-	161.8	-	-
177.2	-	-	-	154.5	-	-
190.3	-	-	-	138.9	-	-
216.5	-	-	-	-	116.6	-
229.7	-	-	-	-	112.7	-

255.9 ft + 118.1 ft

ft	1,000 lb				
52.5	-	163.4*	-	-	-
59.1	-	161.4*	-	-	-
65.6	156.5	162.7	-	-	-
72.2	156.5	160.7	-	-	-
78.7	153.0	156.5	-	-	-
85.3	148.8	152.1	-	-	-
91.9	135.8	147.7	-	-	-
98.4	123.7	143.3	-	-	-
111.5	104.3	136.7	-	-	-
124.7	89.5	127.9	-	-	-
131.2	83.3	124.6	148.8	-	-
137.8	77.8	117.7	148.4	-	-
144.4	73.2	111.3	147.7	-	-
150.9	-	-	143.3	-	-
164.0	-	-	134.5	-	-
177.2	-	-	124.6	-	-
190.3	-	-	-	119.7	-
203.4	-	-	-	113.5	-
216.5	-	-	-	104.3	-
229.7	-	-	-	94.6	-
242.8	-	-	-	-	92.4
255.9	-	-	-	-	88.2
269.0	-	-	-	-	80.7

Remarks

Main boom angle 85°, 75°, 65°, 55° and 45°; capacities for intermediate boom positions are calculated by the crane control system IC-1

* Main boom angle 87°

255.9 ft + 157.5 ft

0 lb		0 lb - 551,000 lb				
29'6"		32'10" - 52'6"				
352.7 klb + 88.2 klb ZB		264,600 lb				
ft	85°	85°	75°	65°	55°	45°
	1,000 lb					
62.3	-	123.0*	-	-	-	-
65.6	-	122.4*	-	-	-	-
72.2	-	119.7*	-	-	-	-
78.7	117.5	122.4	-	-	-	-
85.3	116.4	119.9	-	-	-	-
91.9	114.4	119.0	-	-	-	-
98.4	111.8	114.6	-	-	-	-
111.5	101.2	110.2	-	-	-	-
124.7	86.4	105.8	-	-	-	-
137.8	74.7	99.9	-	-	-	-
144.4	69.9	97.0	112.4	-	-	-
150.9	65.5	94.8	112.4	-	-	-
164.0	57.8	90.4	111.3	-	-	-
177.2	51.6	82.5	108.0	-	-	-
190.3	-	-	102.5	-	-	-
203.4	-	-	95.9	-	-	-
216.5	-	-	90.4	90.2	-	-
229.7	-	-	-	85.3	-	-
242.8	-	-	-	79.8	-	-
255.9	-	-	-	73.9	-	-
269.0	-	-	-	67.5	69.2	-
282.2	-	-	-	-	67.5	-
295.3	-	-	-	-	62.4	-
321.5	-	-	-	-	-	46.1
334.6	-	-	-	-	-	43.9

255.9 ft + 196.9 ft

ft	1,000 lb				
72.2	-	88.2*	-	-	-
78.7	-	88.2*	-	-	-
85.3	82.2	88.2	-	-	-
91.9	82.2	88.2	-	-	-
98.4	80.7	88.2	-	-	-
111.5	77.4	88.2	-	-	-
124.7	73.9	88.2	-	-	-
137.8	69.7	83.8	-	-	-
150.9	64.2	78.9	-	-	-
164.0	56.7	73.9	83.8	-	-
177.2	50.3	70.1	83.8	-	-
190.3	44.5	66.8	82.7	-	-
203.4	39.5	63.9	79.4	-	-
216.5	35.3	61.7	76.1	-	-
229.7	-	-	72.8	-	-
242.8	-	-	68.3	57.8	-
255.9	-	-	59.1	56.0	-
269.0	-	-	-	53.6	-
282.2	-	-	-	50.5	-
295.3	-	-	-	47.0	-
308.4	-	-	-	-	43.7
321.5	-	-	-	-	42.1
334.6	-	-	-	-	39.7
360.9	-	-	-	-	28.7
374.0	-	-	-	-	27.3

**SWSL**

25'7"

360°

ISO

255.9 ft + 236.2 ft

0 lb		0 lb - 551,000 lb				
29'6"		32'10" - 52'6"				
352.7 klb + 88.2 klb ZB		264,600 lb				
	85°	85°	75°	65°	55°	45°
ft	1,000 lb					
78.7	-	61.7*	-	-	-	-
85.3	-	61.7*	-	-	-	-
91.9	-	61.7*	-	-	-	-
98.4	55.3	61.7	-	-	-	-
111.5	54.5	61.7	-	-	-	-
124.7	52.2	61.7	-	-	-	-
137.8	49.8	60.2	-	-	-	-
150.9	47.2	59.5	-	-	-	-
164.0	44.5	59.1	-	-	-	-
177.2	41.7	58.0	55.1	-	-	-
190.3	39.0	56.9	55.1	-	-	-
203.4	36.4	55.1	55.1	-	-	-
216.5	33.3	52.9	55.1	-	-	-
229.7	29.5	50.3	55.1	-	-	-
242.8	26.0	47.0	55.1	-	-	-
255.9	23.1	44.1	54.7	38.1	-	-
269.0	-	-	52.9	37.9	-	-
282.2	-	-	50.3	37.0	-	-
295.3	-	-	40.3	35.7	-	-
308.4	-	-	-	33.7	-	-
321.5	-	-	-	31.7	-	-
334.6	-	-	-	29.3	26.7	-
347.8	-	-	-	-	26.2	-
360.9	-	-	-	-	25.1	-
374.0	-	-	-	-	23.6	-
387.1	-	-	-	-	-	15.2
400.3	-	-	-	-	-	14.6
413.4	-	-	-	-	-	13.9
426.5	-	-	-	-	-	-

255.9 ft + 275.6 ft

0 lb		0 lb - 551,000 lb				
29'6"		32'10" - 52'6"				
352.7 klb + 88.2 klb ZB		264,600 lb				
	85°	85°	75°	65°	55°	45°
ft	1,000 lb					
91.9	-	42.1*	-	-	-	-
98.4	-	41.2*	-	-	-	-
105.0	37.9	40.6	-	-	-	-
111.5	37.9	40.6	-	-	-	-
124.7	36.8	39.0	-	-	-	-
137.8	35.3	37.9	-	-	-	-
150.9	33.7	37.5	-	-	-	-
164.0	32.0	37.5	-	-	-	-
177.2	30.0	37.5	-	-	-	-
190.3	28.2	37.5	-	-	-	-
203.4	26.2	37.5	35.3	-	-	-
216.5	24.3	37.5	35.3	-	-	-
229.7	22.5	37.0	35.3	-	-	-
242.8	20.7	35.9	35.3	-	-	-
255.9	18.7	35.3	35.3	-	-	-
269.0	17.0	35.3	35.3	-	-	-
282.2	15.2	35.3	35.3	22.7	-	-
295.3	13.4	35.3	34.8	22.7	-	-
308.4	-	-	33.1	22.3	-	-
321.5	-	-	32.6	21.4	-	-
334.6	-	-	28.7	20.5	-	-
347.8	-	-	-	19.2	-	-
360.9	-	-	-	17.6	13.4	-
374.0	-	-	-	16.1	13.4	-
387.1	-	-	-	-	13.0	-
400.3	-	-	-	-	12.3	-
413.4	-	-	-	-	11.2	-
426.5	-	-	-	-	-	-
439.6	-	-	-	-	-	-

Remarks

Main boom angle 85°, 75°, 65°, 55° and 45°; capacities for intermediate boom positions are calculated by the crane control system IC-1

* Main boom angle 87°

4



SWSL

25'7"

360°

ISO

275.6 ft + 78.7 ft

0 lb		0 lb - 551,000 lb				
29'6"		32'10" - 52'6"				
352.7 klb + 88.2 klb ZB		264,600 lb				
	85°	85°	75°	65°	55°	45°
ft	1,000 lb					
45.9	-	190.5*	-	-	-	-
52.5	-	185.2*	-	-	-	-
55.8	179.5	188.3	-	-	-	-
59.1	179.5	188.3	-	-	-	-
65.6	176.6	185.2	-	-	-	-
72.2	170.6	175.9	-	-	-	-
78.7	163.8	169.3	-	-	-	-
85.3	150.6	163.1	-	-	-	-
91.9	136.2	158.7	-	-	-	-
98.4	124.1	154.3	-	-	-	-
105.0	114.0	145.1	-	-	-	-
118.1	-	-	165.3	-	-	-
124.7	-	-	165.3	-	-	-
137.8	-	-	157.6	-	-	-
150.9	-	-	139.6	-	-	-
177.2	-	-	-	128.1	-	-
190.3	-	-	-	116.4	-	-
229.7	-	-	-	-	95.5	-
242.8	-	-	-	-	85.3	-

275.6 ft + 118.1 ft

		1,000 lb				
52.5	-	142.6*	-	-	-	-
59.1	-	140.7*	-	-	-	-
65.6	135.1	142.0	-	-	-	-
72.2	135.1	140.0	-	-	-	-
78.7	131.8	136.7	-	-	-	-
85.3	128.1	132.5	-	-	-	-
91.9	124.1	130.1	-	-	-	-
98.4	119.7	125.7	-	-	-	-
111.5	102.5	119.0	-	-	-	-
124.7	88.0	112.4	-	-	-	-
131.2	81.8	109.1	-	-	-	-
137.8	76.5	103.4	123.5	-	-	-
144.4	71.7	97.7	123.5	-	-	-
150.9	-	-	121.3	-	-	-
164.0	-	-	115.7	-	-	-
177.2	-	-	108.0	-	-	-
190.3	-	-	95.9	-	-	-
203.4	-	-	-	93.5	-	-
216.5	-	-	-	86.2	-	-
229.7	-	-	-	78.0	-	-
255.9	-	-	-	-	68.6	-
269.0	-	-	-	-	63.7	-
282.2	-	-	-	-	-	-

Remarks

Main boom angle 85°, 75°, 65°, 55° and 45°; capacities for intermediate boom positions are calculated by the crane control system IC-1

* Main boom angle 87°

275.6 ft + 157.5 ft

0 lb		0 lb - 551,000 lb				
29'6"		32'10" - 52'6"				
352.7 klb + 88.2 klb ZB		264,600 lb				
	85°	85°	75°	65°	55°	45°
ft	1,000 lb					
62.3	-	107.1*	-	-	-	-
65.6	-	107.1*	-	-	-	-
72.2	-	104.5*	-	-	-	-
78.7	100.3	105.6	-	-	-	-
85.3	100.3	104.3	-	-	-	-
91.9	98.3	103.6	-	-	-	-
98.4	96.1	101.4	-	-	-	-
111.5	90.8	97.0	-	-	-	-
124.7	84.7	92.6	-	-	-	-
137.8	73.4	88.2	-	-	-	-
150.9	64.2	83.8	94.8	-	-	-
164.0	56.7	79.4	94.8	-	-	-
177.2	50.3	71.2	92.6	-	-	-
190.3	-	-	87.1	-	-	-
203.4	-	-	81.6	-	-	-
216.5	-	-	76.1	-	-	-
229.7	-	-	70.5	68.8	-	-
242.8	-	-	-	63.9	-	-
255.9	-	-	-	58.9	-	-
269.0	-	-	-	53.6	-	-
282.2	-	-	-	-	48.9	-
295.3	-	-	-	-	47.0	-
308.4	-	-	-	-	42.5	-
334.6	-	-	-	-	-	29.1
347.8	-	-	-	-	-	27.6

275.6 ft + 196.9 ft

		1,000 lb				
72.2	-	73.6*	-	-	-	-
78.7	-	72.8*	-	-	-	-
85.3	-	72.8*	-	-	-	-
91.9	67.9	72.8	-	-	-	-
98.4	67.2	72.8	-	-	-	-
111.5	64.2	70.5	-	-	-	-
124.7	60.6	70.5	-	-	-	-
137.8	56.9	68.3	-	-	-	-
150.9	53.4	65.7	-	-	-	-
164.0	49.6	62.4	-	-	-	-
177.2	46.3	59.5	70.5	-	-	-
190.3	43.0	56.2	69.4	-	-	-
203.4	38.4	51.4	67.2	-	-	-
216.5	34.4	46.3	63.9	-	-	-
229.7	-	-	60.2	-	-	-
242.8	-	-	56.9	41.9	-	-
255.9	-	-	52.9	41.2	-	-
269.0	-	-	48.5	39.2	-	-
282.2	-	-	-	36.8	-	-
295.3	-	-	-	34.2	-	-
308.4	-	-	-	31.3	27.3	-
321.5	-	-	-	-	26.9	-
334.6	-	-	-	-	25.6	-
347.8	-	-	-	-	23.6	-
374.0	-	-	-	-	-	13.0
387.1	-	-	-	-	-	12.1
400.3	-	-	-	-	-	-

**SWSL**

25'7"

360°

ISO

275.6 ft + 236.2 ft

0 lb		0 lb - 551,000 lb				
29'6"		32'10" - 52'6"				
352.7 klb + 88.2 klb ZB		264,600 lb				
	85°	85°	75°	65°	55°	45°
ft	1,000 lb					
78.7	-	50.0*	-	-	-	-
85.3	-	50.0*	-	-	-	-
91.9	-	48.7*	-	-	-	-
98.4	44.8	48.5	-	-	-	-
111.5	43.7	46.7	-	-	-	-
124.7	41.4	46.3	-	-	-	-
137.8	39.2	46.3	-	-	-	-
150.9	36.6	46.3	-	-	-	-
164.0	34.2	46.3	-	-	-	-
177.2	31.5	45.9	-	-	-	-
190.3	29.1	44.8	46.3	-	-	-
203.4	26.7	43.7	46.3	-	-	-
216.5	24.5	41.9	46.3	-	-	-
229.7	22.3	39.2	46.3	-	-	-
242.8	20.1	35.9	45.9	-	-	-
255.9	17.9	35.3	44.1	-	-	-
269.0	-	-	41.9	25.4	-	-
282.2	-	-	39.7	24.7	-	-
295.3	-	-	35.9	23.4	-	-
308.4	-	-	-	21.8	-	-
321.5	-	-	-	20.1	-	-
334.6	-	-	-	18.3	-	-
347.8	-	-	-	16.3	13.2	-
360.9	-	-	-	-	12.6	-
374.0	-	-	-	-	11.5	-
387.1	-	-	-	-	10.4	-
400.3	-	-	-	-	-	-

275.6 ft + 275.6 ft

0 lb		0 lb - 551,000 lb				
29'6"		32'10" - 52'6"				
352.7 klb + 88.2 klb ZB		264,600 lb				
	85°	85°	75°	65°	55°	45°
ft	1,000 lb					
91.9	-	33.5*	-	-	-	-
98.4	-	33.1*	-	-	-	-
111.5	28.7	32.4	-	-	-	-
124.7	28.0	30.9	-	-	-	-
137.8	26.5	29.1	-	-	-	-
150.9	24.9	28.7	-	-	-	-
164.0	23.1	28.7	-	-	-	-
177.2	21.4	28.7	-	-	-	-
190.3	19.4	28.7	-	-	-	-
203.4	17.6	28.7	26.5	-	-	-
216.5	15.9	28.2	26.5	-	-	-
229.7	14.1	27.1	26.5	-	-	-
242.8	12.6	26.5	26.5	-	-	-
255.9	11.0	26.0	26.5	-	-	-
269.0	9.5	24.9	26.5	-	-	-
282.2	7.7	23.1	26.5	-	-	-
295.3	6.2	22.0	26.5	12.1	-	-
308.4	-	-	26.0	11.9	-	-
321.5	-	-	24.9	11.0	-	-
334.6	-	-	19.8	9.9	-	-
347.8	-	-	-	8.8	-	-
360.9	-	-	-	7.7	-	-
374.0	-	-	-	6.8	-	-
387.1	-	-	-	6.6	-	-
400.3	-	-	-	-	-	-
413.4	-	-	-	-	-	-
426.5	-	-	-	-	-	-

Remarks

Main boom angle 85°, 75°, 65°, 55° and 45°; capacities for intermediate boom positions are calculated by the crane control system IC-1

* Main boom angle 87°

4



SWSL

25'7"

360°

ISO

295.3 ft + 118.1 ft

0 lb		0 lb - 551,000 lb		
29'6"		32'10" - 52'6"		
352.7 klb + 88.2 klb ZB		264,600 lb		
85°		85°	75°	65°
ft	1,000 lb			
55.8	-	130.7*	-	-
59.1	-	129.0*	-	-
65.6	-	125.7*	-	-
72.2	121.0	128.1	-	-
78.7	119.5	124.8	-	-
85.3	116.2	121.3	-	-
91.9	112.4	117.7	-	-
98.4	108.5	113.8	-	-
111.5	100.3	106.3	-	-
124.7	86.2	99.6	-	-
137.8	75.0	93.0	108.0	-
144.4	70.1	89.7	108.0	-
150.9	-	-	104.5	-
164.0	-	-	97.0	-
177.2	-	-	89.3	-
190.3	-	-	81.4	-
203.4	-	-	-	-

295.3 ft + 196.9 ft

0 lb		0 lb - 551,000 lb		
29'6"		32'10" - 52'6"		
352.7 klb + 88.2 klb ZB		264,600 lb		
85°		85°	75°	65°
ft	1,000 lb			
72.2	-	68.8*	-	-
78.7	-	67.9*	-	-
85.3	-	66.4*	-	-
91.9	61.5	66.8	-	-
98.4	61.5	65.3	-	-
111.5	58.6	62.2	-	-
124.7	55.6	58.9	-	-
137.8	52.2	55.6	-	-
150.9	48.7	52.2	-	-
164.0	45.4	49.2	-	-
177.2	42.3	46.3	51.6	-
190.3	39.5	43.4	49.4	-
203.4	36.6	40.8	46.5	-
216.5	33.1	37.9	43.7	-
229.7	-	-	40.8	-
242.8	-	-	38.1	-
255.9	-	-	35.3	-
269.0	-	-	32.4	-
282.2	-	-	-	-

295.3 ft + 157.5 ft

ft	1,000 lb			
62.3	-	98.1*	-	-
65.6	-	98.1*	-	-
72.2	-	95.9*	-	-
78.7	90.8	96.3	-	-
85.3	90.8	95.5	-	-
91.9	88.6	93.3	-	-
98.4	86.4	91.1	-	-
111.5	81.6	86.2	-	-
124.7	76.3	81.4	-	-
137.8	70.5	76.7	-	-
150.9	62.2	72.1	-	-
157.5	58.4	69.9	80.7	-
164.0	55.3	67.7	79.6	-
177.2	48.9	63.3	75.2	-
190.3	-	-	70.1	-
203.4	-	-	65.0	-
216.5	-	-	60.0	-
229.7	-	-	54.7	-
242.8	-	-	-	-

Remarks

Main boom angle 85°, 75°, 65°, 55° and 45°; capacities for intermediate boom positions are calculated by the crane control system IC-1

* Main boom angle 87°

**SWSL**

35'7"

360°

ISO

315.0 ft + 118.1 ft

0 lb		0 lb - 551,000 lb		
29'6"		32'10" - 52'6"		
352.7 klb + 88.2 klb ZB		264,600 lb		
85°		85°	75°	65°
ft	1,000 lb			
55.8	-	112.0*	-	-
59.1	-	112.0*	-	-
65.6	-	109.3*	-	-
72.2	99.9	111.3	-	-
78.7	99.9	108.9	-	-
85.3	97.2	106.7	-	-
91.9	94.4	104.1	-	-
98.4	91.5	101.4	-	-
111.5	85.5	95.9	-	-
124.7	79.8	91.1	-	-
137.8	73.4	86.6	-	-
144.4	68.6	84.4	102.1	-
150.9	-	-	101.4	-
164.0	-	-	98.1	-
177.2	-	-	94.4	-
190.3	-	-	90.6	-
203.4	-	-	86.6	-

315.0 ft + 157.5 ft

ft	1,000 lb			
65.6	-	84.2*	-	-
72.2	-	82.5*	-	-
78.7	-	80.5*	-	-
85.3	73.2	81.8	-	-
91.9	72.1	80.2	-	-
98.4	70.3	78.5	-	-
111.5	66.4	75.0	-	-
124.7	62.4	71.2	-	-
137.8	58.4	67.7	-	-
150.9	54.5	64.4	-	-
164.0	51.1	61.1	73.6	-
177.2	47.2	58.0	72.1	-
190.3	-	-	69.9	-
203.4	-	-	67.5	-
216.5	-	-	64.8	-
229.7	-	-	61.9	-
242.8	-	-	-	-

315.0 ft + 196.9 ft

0 lb		0 lb - 551,000 lb		
29'6"		32'10" - 52'6"		
352.7 klb + 88.2 klb ZB		264,600 lb		
85°		85°	75°	65°
ft	1,000 lb			
72.2	-	56.2*	-	-
78.7	-	55.6*	-	-
85.3	-	54.5*	-	-
91.9	46.3	54.5	-	-
98.4	46.3	53.8	-	-
111.5	44.1	51.6	-	-
124.7	41.4	49.2	-	-
137.8	38.8	46.7	-	-
150.9	36.2	44.3	-	-
164.0	33.5	41.7	-	-
177.2	30.9	39.0	46.3	-
190.3	28.9	36.2	45.9	-
203.4	26.7	34.0	44.5	-
216.5	24.5	31.7	43.0	-
229.7	-	-	41.4	-
242.8	-	-	39.7	-
255.9	-	-	37.9	-
269.0	-	-	36.2	-
282.2	-	-	-	-

Remarks

Main boom angle 85°, 75°, 65°, 55° and 45°; capacities for intermediate boom positions are calculated by the crane control system IC-1

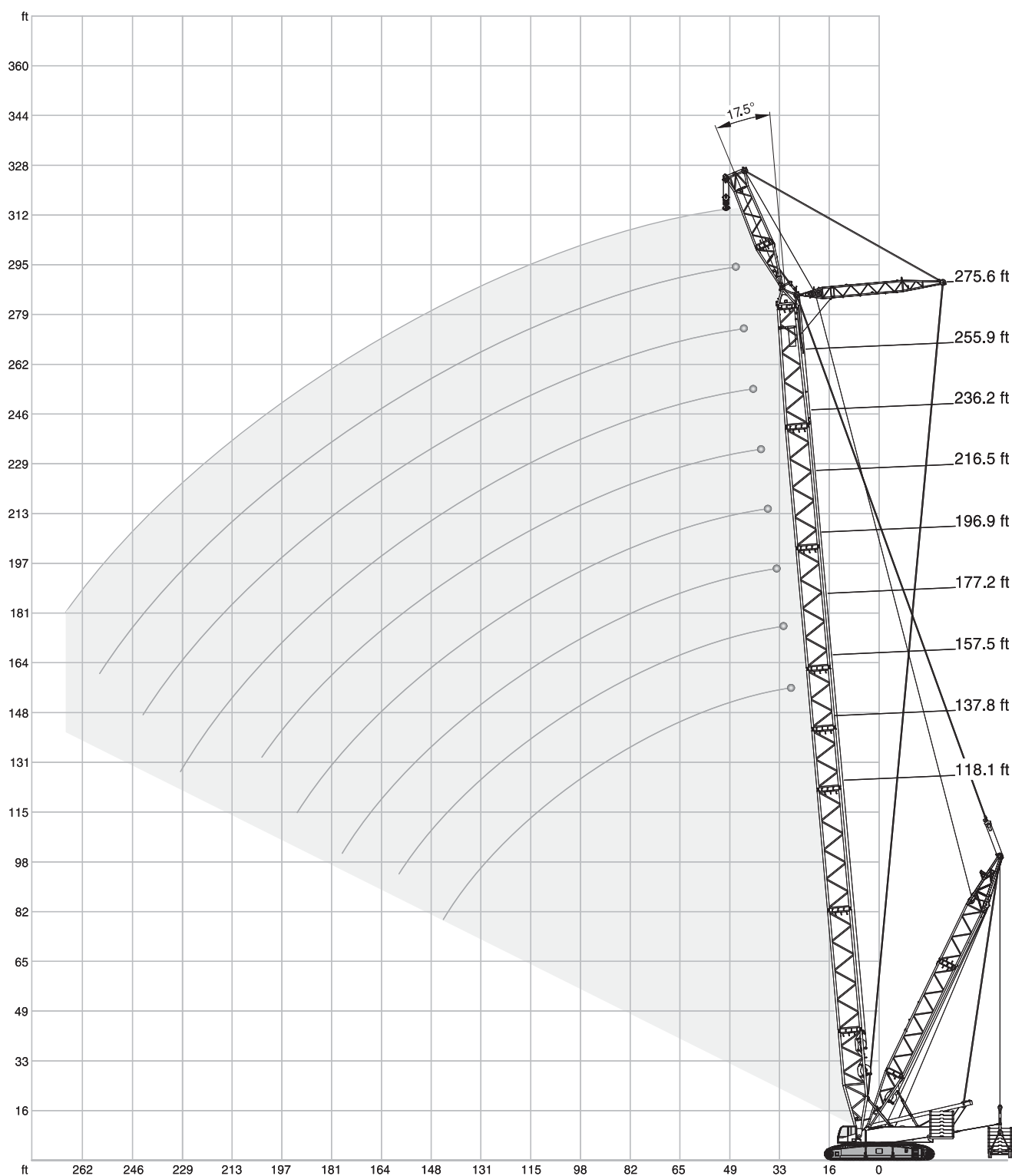
* Main boom angle 87°

4



LFVL

17.5°



**LFVL**

25'7"

360°

ISO

ft	118.1 ft		137.8 ft		157.5 ft		177.2 ft		196.9 ft		216.5 ft		236.2 ft		275.6 ft			
	0 lb	0-551klb	0 lb	0-551klb	0 lb	0-551klb	0 lb	0-551klb	0 lb	0-551klb	0 lb	0-551klb	0 lb	0-551klb	0 lb	0-551klb		
	29'6"	32'10"-52'6"	29'6"	32'10"-52'6"	29'6"	32'10"-52'6"	29'6"	32'10"-52'6"	29'6"	32'10"-52'6"	29'6"	32'10"-52'6"	29'6"	32'10"-52'6"	29'6"	32'10"-52'6"		
	352.7klb + 88.2klb		352.7klb + 88.2klb		352.7klb + 88.2klb		352.7klb + 88.2klb		352.7klb + 88.2klb		352.7klb + 88.2klb		352.7klb + 88.2klb		352.7klb + 88.2klb		352.7klb + 88.2klb	
	ZB	264.6klb	ZB	264.6klb	ZB	264.6klb	ZB	264.6klb	ZB	264.6klb	ZB	264.6klb	ZB	264.6klb	ZB	264.6klb	ZB	264.6klb
	1,000 lb																	
32.8	496.0	496.0	496.0	496.0	496.0	496.0	-	-	-	-	-	-	-	-	-	-	-	
36.1	496.0	496.0	496.0	496.0	496.0	496.0	460.8	460.8	390.2	390.2	-	-	-	-	-	-	-	
39.4	471.8	496.0	469.6	496.0	469.6	496.0	460.8	460.8	390.2	390.2	354.9	354.9	297.6	299.8	-	-	-	
42.7	414.5	496.0	412.3	496.0	410.1	496.0	410.1	460.8	390.2	390.2	354.9	354.9	297.6	299.8	216.1	217.2	-	
45.9	368.2	496.0	366.0	496.0	363.8	496.0	363.8	460.8	361.6	390.2	354.9	354.9	297.6	299.8	216.1	217.2	-	
52.5	299.8	496.0	297.6	496.0	295.4	496.0	293.2	460.8	291.0	390.2	288.8	352.7	288.8	299.8	216.1	217.2	-	
59.1	249.1	496.0	246.9	496.0	244.7	496.0	244.7	460.8	242.5	390.2	240.3	350.5	238.1	297.6	213.8	216.1	-	
65.6	213.8	474.0	211.6	496.0	208.3	496.0	207.2	454.2	205.0	390.2	202.8	348.3	200.6	295.4	198.4	213.8	-	
72.2	185.2	440.9	183.0	451.9	179.7	449.7	177.5	432.1	175.3	383.6	173.1	346.1	170.9	293.2	168.7	211.6	-	
78.7	162.0	407.9	159.8	416.7	156.5	412.3	154.3	403.4	152.1	374.8	149.9	339.5	147.7	288.8	145.5	209.4	-	
85.3	143.3	372.6	141.1	388.0	137.8	385.8	135.6	377.0	133.4	359.4	131.2	332.9	127.9	284.4	125.7	206.1	-	
91.9	127.9	341.7	124.6	359.4	122.4	361.6	120.2	354.9	117.9	343.9	114.6	324.1	112.4	280.0	110.2	201.7	-	
98.4	114.6	308.6	111.3	330.7	109.6	332.9	107.1	330.7	104.5	324.1	102.1	310.9	99.4	275.6	97.0	198.4	-	
111.5	93.9	266.8	91.1	273.4	88.4	284.4	86.0	288.8	83.3	284.4	80.5	273.4	77.2	253.5	74.3	189.6	-	
124.7	78.0	233.7	75.2	240.3	72.3	238.1	69.4	246.9	66.1	249.1	62.8	244.7	59.7	229.3	56.7	177.5	-	
137.8	65.5	201.7	62.2	213.8	58.9	213.8	55.8	210.5	52.5	213.8	49.2	215.0	45.9	208.3	42.8	165.3	-	
144.4	60.2	185.2	56.7	199.5	53.1	201.7	50.0	200.6	46.7	196.2	43.4	199.5	40.1	197.3	36.8	159.8	-	
150.9	-	-	51.4	185.2	47.8	190.7	45.0	190.7	41.4	186.3	38.1	184.1	34.8	185.2	31.5	154.3	-	
157.5	-	-	47.0	172.0	43.2	178.6	40.1	180.8	36.8	177.5	33.3	170.9	30.0	174.2	26.7	148.8	-	
164.0	-	-	-	-	39.0	167.6	35.9	170.9	32.4	168.7	29.1	163.1	25.8	163.1	22.3	143.3	-	
177.2	-	-	-	-	31.7	144.4	28.7	151.0	25.1	152.1	21.6	148.8	18.1	147.7	14.8	132.3	-	
190.3	-	-	-	-	-	-	22.5	132.3	18.7	135.6	15.2	134.5	11.7	134.5	8.4	121.3	-	
203.4	-	-	-	-	-	-	-	-	13.7	117.9	9.9	120.2	6.4	121.3	-	110.2	-	
216.5	-	-	-	-	-	-	-	-	-	-	-	106.3	-	109.1	-	101.4	-	
229.7	-	-	-	-	-	-	-	-	-	-	-	92.8	-	96.3	-	91.9	-	
242.8	-	-	-	-	-	-	-	-	-	-	-	-	-	83.3	-	82.7	-	
255.9	-	-	-	-	-	-	-	-	-	-	-	-	-	-	-	73.2	-	
269.0	-	-	-	-	-	-	-	-	-	-	-	-	-	-	-	64.4	-	
282.2	-	-	-	-	-	-	-	-	-	-	-	-	-	-	-	-	-	

**TECHNICAL DESCRIPTION****CRAWLER CARRIER**

	3-section carrier comprising of carbody and two crawlers. Hydraulic pin connections between crawlers and carbody provide for easy assembly and removal to minimise width and weight for transportation.
Carbody	Bending- and torsion-resistant welded structure of box type construction, fabricated of high-strength fine-grain structural steel.
Crawlers	Side frames: bending-resistant welded structure of high-strength fine-grain structural steel. Track shoes and idler tumblers are fabricated of heat-treated high-strength cast steel. 14 rollers on each side frame with hardened rolling surfaces. Quadro-drive and automatic centralized lubrication is included as standard.
Power train	The tracks are powered by one hydraulic motor each through closed planetary gear reduction units running in oil bath, equipped with spring-applied hydraulically released holding brakes; the gear units are of extremely compact design to fit within the width of the crawlers. Each crawler is infinitely variable controlled, both independently and in opposite direction.

SUPERSTRUCTURE

Counterweight	352,740 lb in combination with 88,185 lb central ballast on carrier.
A-frame	Hydraulic raising system for A-frame as standard.
Frame	Torsion-resistant welded structure fabricated of high-strength fine-grain structural steel. Connected to carrier by triple-row roller bearing slew ring.
Drive	DaimlerChrysler diesel engine type OM 501 LA, 315 kW (420 hp) at 2000 1/min, torque 2000 Nm at 1080 1/min. The engine complies with EUROMOT 3a, EPA T3 and Carb regulations. Pump distribution gearbox with five variable displacement axial piston pumps incl. electronic control system, and gear pumps.
Rope drums	The standard superstructure equipment includes three rope drums – hoist 1, hoist 2 and boom hoist. The drums are powered by hydraulic motors through closed planetary gear units running in oil bath. All rope drums have spring-applied, hydraulically released multi-disk brakes and non-wearing hydraulic braking for load lowering. Rope ends H 1, 2, 3 and W 1, 2 equipped with quick-connect rope end fittings. Hoists H 1 + 2 are removable to minimise weight for transportation.
Slew units	Powered by two hydraulic motors through closed, planetary gear unit running in oil bath. Spring-applied, hydraulically released holding brake and non-wearing hydraulic braking.
Control system	Demag IC-1: Electronic proportional valve pilot control integrated in stored-program control system incl. diagnostics. 2 colour monitors, safe load indicator operated via a touchscreen. Working speeds infinitely variable controlled by the lever position. Automatic power control for optimal utilisation of engine output.
Cabin	Comfortable cab with large windscreen and air-conditioning. Safety-glazing all around, roof window, self-contained hot air heater, full instrumentation and crane controls. The cab can be tilted back for improved operator view of boom point. A camera system is installed to monitor the rope drums. For transportation, the cab swings in front of the superstructure to minimise width.
Electrical equipment	24 V d. c. system.

OPTIONAL EQUIPMENT

Hydraulic cylinder A-frame	For self-assembly of crawlers.
Assembly jacks	Four hydraulic jacking cylinders on carbody (folding within 9'11" width) for easy assembly of crawlers.
Sideways outriggers	For erection of long boom systems.
Counterweight carrier	Drive 4 x 2, total weight max. 551,250 lb.
Quick-connection	Hydraulic quick-disconnect fittings on carrier and superstructure facilitate removal to minimise weight for transportation.
Track shoes	Optional width of 3'3" and 4'11".

**TECHNICAL DESCRIPTION****BOOM CONFIGURATIONS**

SH:	Main boom: foot section 34'5", inserts 39.4 ft and 19.7 ft (type 2721) and tapered insert 39.4 ft, boom head 4'11". Main boom lengths: 78.7 - 275.6 ft.
SH / LH: (SGL variable)	Main boom: foot section 34'5", inserts 39.4 ft and 19.7 ft (type 2721), tapered insert 39.4 ft, extended by inserts 39.4 ft and 19.7 ft (type 2317), top section 24'7". Main boom lengths: 137.8 - 354.3 ft.
SH / LH: (SGL max.)	Main boom: foot section 34'5", inserts 39.4 ft and 19.7 ft (type 2721), extended by additional inserts 39.4 ft (type 2721), tapered insert 39.4 ft, top section 24'7". Main boom lengths: 275.6 - 334.6 ft.
SW:	Main boom: same as SH. Offset 87° to 65°. Luffing fly jib: foot section 14'9", inserts 39.4 ft and 19.7 ft (type 2317), jib top section 24'7". Main boom lengths: 98.4 - 236.2 ft. Fly jib lengths: 78.7 - 236.2 ft.
SSL:	Main boom: same as SH. Superlift equipment. Main boom lengths: 118.1 - 315.0 ft.
SSL / LSL: (SGL 231')	Main boom: foot section 34'5", inserts 157.5 ft (type 2721), tapered insert 39.4 ft, extended by inserts 39.4 ft and 19.7 ft (type 2317), top section 24'7". Superlift equipment. Main boom lengths: 255.9 - 413.4 ft.
SSL / LSL: (SGL max.)	Main boom: foot section 34'5", inserts 39.4 ft and 19.7 ft (type 2721), extended by additional inserts 39.4 ft (type 2721), tapered insert 39.4 ft, top section 24'7". Superlift equipment. Main boom lengths: 295.3 - 413.4 ft.
SWSL:	Main boom: same as SH. Offset 87° to 45°. Luffing fly jib: same as SW. Superlift equipment. Main boom lengths: 118.1 - 275.6 ft. Fly jib lengths: 78.7 - 275.6 ft.
+LF2:	Addition to SH, SH/LH, SSL or SSL/LSL. Fixed fly jib: foot section 19.7 ft, inserts 39.4 ft (type 1813), jib top section 19.7 ft. Fly jib lengths: 39.4 ft, 78.7 ft, 118.1 ft. Offset: 10°, 15°, 20° and 30°.
Safety devices	Electronic safe load indicator, hoist limit switch, limit switches for boom movements, hydraulic boom backstops, anemometer.

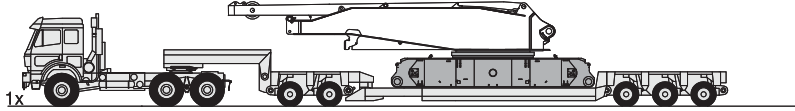
SUPERLIFT CONFIGURATIONS

Power-kit for main boom	Consisting of 2-4 additional heavy main boom sections; standard main boom 275.6 ft required.
Standard Superlift equipment	Mast 98.4 ft (type 2317), counterweight tray for max. 551,250 lb. Superlift radii 39'4", 45'11", 52'6" (32'10" without tray).
Variable Superlift equipment	Mast 98.4 ft (type 2317), counterweight tray for max. 551,250 lb. Superlift radius infinitely variable during operation 32'10" to 52'6".
Superlift with counterweight carrier	Mast 98.4 ft (type 2317), counterweight tray for max. 551,250 lb. Superlift radius infinitely variable during operation 39'4" to 52'6".
Reeving winch	Mounted on superstructure.
Runner	
Hydraulic pinning of boom sections	



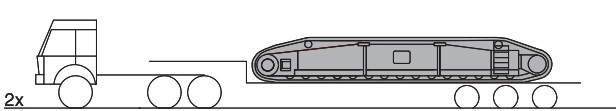
TRANSPORT EXAMPLE FOR CC 2500-1

Load approx. 138,890 lb

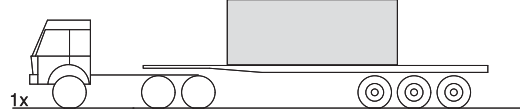


- Superlift counterweight
- Basic crane
- Boom combination SWSL 275.6 + 275.6 ft
- Containers, boxes, etc.
- Boom combination LF 118.1 ft
- Low-loader

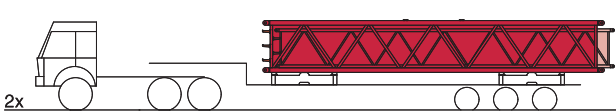
Load approx. 63,930 lb



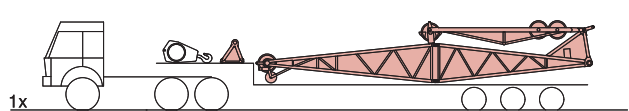
Load max. 52,910 lb



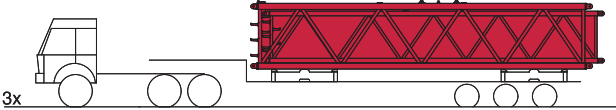
Load 54,345 lb



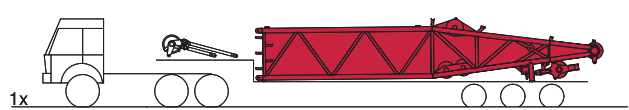
Load 11,795 lb



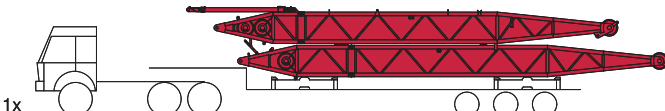
Load 64,815 lb



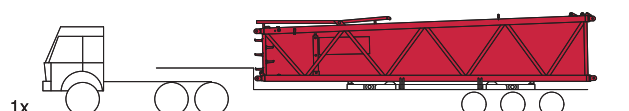
Load 20,283 lb



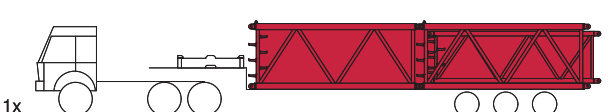
Load 64,595 lb



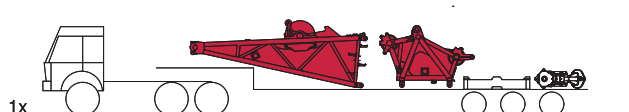
Load 57,540 lb



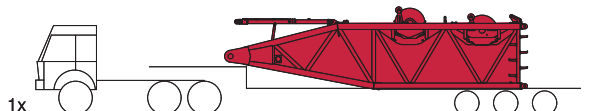
Load 39,573 lb



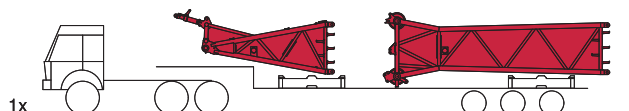
Load 61,070 lb



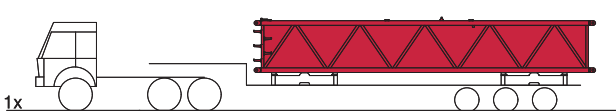
Load 36,155 lb



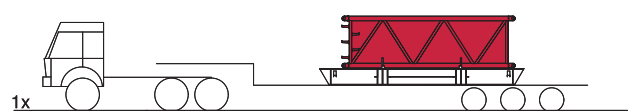
Load 60,738 lb



Load 52,360 lb



Load 13,118 lb





NOTES TO LIFTING CAPACITY

Ratings are in compliance with ISO 4305.

Weight of hook blocks and slings is part of the load, and is to be deducted from the capacity ratings.

Consult operation manual for further details.

Note: Data published herein is intended as a guide only and shall not be construed to warrant applicability for lifting purposes.

Crane operation is subject to the computer charts and operation manual both supplied with the crane.

The load charts shown in this brochure apply to Standard-SL and Vario-SL. Charts for Tele-SL with counterweight carrier are available on request.

In some instances the superlift counterweight does not lift off the ground with the indicated load.



DEMAG CC2500-1
CRAWLER CRANE

Effective Date: March 2008.

Product specifications and prices are subject to change without notice or obligation. The photographs and/or drawings in this document are for illustrative purposes only. Refer to the appropriate Operator's Manual for instructions on the proper use of this equipment. Failure to follow the appropriate Operator's Manual when using our equipment or to otherwise act irresponsibly may result in serious injury or death. The only warranty applicable to our equipment is the standard written warranty applicable to the particular product and sale and Terex makes no other warranty, express or implied. Products and services listed may be trademarks, service marks or trade-names of Terex Corporation and /or its subsidiaries in the USA and other countries and all rights are reserved. „TEREX“ is a registered trademark of Terex Corporation in the USA and many other countries.

Copyright © 2008 Terex Corporation.



Registered office:

Terex-Demag GmbH & Co.KG
Dinglerstraße 24
D-66482 Zweibrücken

Phone: +49 6332 83-0
Fax: +49 6332 16715
www.terex-demag.com

Order Nr. CC 2500-1 USA A1 – 201 216 12