



AMERICAN HC 150

Hydraulic Crawler Crane 59 H Boom

LIFT RATINGS IN POUNDS

With 59H Open Throat Boom with 24' Floating Mast and 70,000 Pound Counterweight

| Boom Length | Radius (Feet) | Boom Angle (Degrees) | Side Frames Extended (Pounds) | From Boom Pt. to Ground (Feet) | Boom Length | Radius (Feet) | Boom Angle (Degrees) | Side Frames Extended (Pounds) | From Boom Pt. to Ground (Feet) | Boom Length | Radius (Feet) | Boom Angle (Degrees) | Side Frames Extended (Pounds) | From Boom Pt. to Ground (Feet) | | | | | |
|-----------------|---------------|----------------------|-------------------------------|--------------------------------|-----------------|-----------------|----------------------|-------------------------------|--------------------------------|-----------------|---------------|----------------------|-------------------------------|--------------------------------|-----------------|----|------|---------|-----|
| 50' (15.2M) | 12 | 81.0 | 300,000* | 56 | 110' (33.5M) | 22 | 80.7 | 149,880* | 115 | 150' (con't) | 70 | 63.9 | 35,330* | 141 | | | | | |
| | 15 | 77.5 | 220,620* | 55 | | 25 | 79.1 | 131,930* | 115 | | 80 | 59.6 | 29,480* | 136 | | | | | |
| | 20 | 71.5 | 165,480* | 54 | | 30 | 76.4 | 106,110* | 114 | | 90 | 55.0 | 24,870* | 129 | | | | | |
| | 25 | 65.3 | 132,380* | 52 | | 35 | 73.7 | 88,310* | 112 | | 100 | 50.2 | 21,810* | 122 | | | | | |
| | 30 | 58.8 | 110,340* | 49 | | 40 | 71.0 | 74,730* | 111 | | 110 | 45.0 | 18,720* | 112 | | | | | |
| | 35 | 51.7 | 93,250 | 46 | | 50 | 65.3 | 56,530 | 107 | | 120 | 39.3 | 16,160* | 101 | | | | | |
| | 40 | 22.3 | 77,520 | 41 | | 60 | 59.4 | 44,460 | 101 | | 130 | 32.8 | 14,010* | 87 | | | | | |
| 50 | 43.9 | 57,690 | 25 | 70 | | 53.2 | 36,370 | 94 | 140 | | 24.8 | 12,160* | 69 | | | | | | |
| 60' (18.3M) | 14 | 80.6 | 236,210* | 66 | | 80 | 46.3 | 30,590 | 86 | | 150 | 12.7 | 10,460* | 39 | 160' (48.8M) | 30 | 80.7 | 84,250* | 165 |
| | 15 | 79.6 | 220,500* | 66 | | 90 | 38.5 | 26,360* | 75 | | 35 | 78.9 | 82,940* | 164 | | | | | |
| | 20 | 74.7 | 165,390* | 65 | | 100 | 29.0 | 22,670* | 60 | 40 | 77.1 | 70,760* | 163 | | | | | | |
| | 25 | 69.6 | 132,300* | 63 | | 110 | 14.8 | 19,270* | 34 | 50 | 73.3 | 53,760* | 160 | | | | | | |
| | 30 | 64.4 | 110,280* | 61 | | 120' (36.6M) | 23 | 81.0 | 137,280* | 125 | 60 | 69.6 | 42,950* | 157 | | | | | |
| | 35 | 59.0 | 93,060 | 58 | | | 25 | 80.0 | 128,040* | 125 | 70 | 65.7 | 34,730* | 152 | | | | | |
| | 40 | 53.2 | 77,320 | 54 | 30 | | 77.6 | 104,860* | 124 | 80 | 61.7 | 28,930* | 147 | | | | | | |
| 50 | 39.8 | 57,490 | 45 | 35 | 75.1 | | 87,220* | 123 | 90 | 57.5 | 24,360* | 141 | | | | | | | |
| 60 | 20.3 | 45,490 | 27 | 40 | 72.6 | | 73,770* | 121 | 100 | 53.2 | 21,340* | 134 | | | | | | | |
| 70' (21.3M) | 16 | 80.3 | 206,570* | 76 | 50 | | 67.5 | 56,300 | 117 | 110 | 48.5 | 18,270* | 126 | | | | | | |
| | 20 | 76.9 | 165,300* | 75 | 60 | | 62.2 | 44,210 | 113 | 120 | 43.5 | 15,750* | 116 | | | | | | |
| | 25 | 72.7 | 132,230* | 73 | 70 | | 56.7 | 36,130 | 107 | 130 | 38.0 | 13,650* | 105 | | | | | | |
| | 30 | 68.3 | 110,220* | 72 | 80 | 50.7 | 30,740* | 99 | 140 | 31.7 | 11,850* | 90 | | | | | | | |
| | 35 | 63.8 | 92,800* | 69 | 90 | 44.2 | 25,980* | 90 | 150 | 24.0 | 10,280* | 71 | | | | | | | |
| | 40 | 59.1 | 77,160 | 67 | 100 | 36.8 | 22,650* | 78 | 160 | 12.3 | 8,870* | 40 | | | | | | | |
| | 50 | 48.9 | 57,320 | 59 | 110 | 27.8 | 19,390* | 62 | 170' (51.8M) | 31 | 80.9 | 73,490* | 175 | | | | | | |
| 60 | 36.7 | 45,300 | 48 | 120 | 14.2 | 16,480* | 36 | 35 | | 79.6 | 72,520* | 174 | | | | | | | |
| 70 | 18.8 | 37,260 | 29 | 130' (39.6M) | 25 | 80.8 | 123,650* | 135 | | 40 | 77.8 | 70,230* | 173 | | | | | | |
| 80' (24.4M) | 17 | 80.8 | 194,360* | | 86 | 30 | 78.5 | 103,960* | | 134 | 50 | 74.3 | 53,300* | 170 | | | | | |
| | 20 | 78.6 | 165,220* | | 85 | 35 | 76.3 | 86,440* | | 133 | 60 | 70.8 | 42,540* | 167 | | | | | |
| | 25 | 74.9 | 132,150* | | 84 | 40 | 74.0 | 73,090* | | 132 | 70 | 67.2 | 34,350* | 163 | | | | | |
| | 30 | 71.1 | 110,150* | | 82 | 50 | 69.3 | 55,790* | | 128 | 80 | 63.5 | 28,590* | 159 | | | | | |
| | 35 | 67.3 | 91,070* | | 80 | 60 | 64.5 | 44,020 | | 124 | 90 | 59.6 | 24,040* | 153 | | | | | |
| | 40 | 63.3 | 76,940 | | 78 | 70 | 59.5 | 35,930 | 119 | 100 | 55.6 | 21,040* | 147 | | | | | | |
| | 50 | 54.9 | 57,110 | | 72 | 80 | 54.2 | 30,120 | 112 | 110 | 51.4 | 18,000* | 139 | | | | | | |
| 60 | 45.5 | 45,060 | 63 | 90 | 48.6 | 25,750* | 104 | 120 | 47.0 | 15,500* | 131 | | | | | | | | |
| 70 | 34.2 | 37,020 | 51 | 100 | 42.4 | 22,560* | 94 | 130 | 42.1 | 13,410* | 120 | | | | | | | | |
| 80 | 17.5 | 31,130* | 30 | 110 | 35.3 | 19,360* | 81 | 140 | 36.8 | 11,630* | 108 | | | | | | | | |
| 90' (27.4M) | 19 | 80.5 | 173,850* | 95 | 120 | 26.6 | 16,670* | 65 | 150 | 30.7 | 10,110* | 93 | | | | | | | |
| | 20 | 79.9 | 165,130* | 95 | 130 | 13.6 | 14,260* | 37 | 160 | 23.2 | 8,750* | 73 | | | | | | | |
| | 25 | 76.6 | 132,080* | 94 | 140' (42.7M) | 27 | 80.6 | 111,470* | 145 | 170 | 11.9 | 7,530* | 41 | | | | | | |
| | 30 | 73.3 | 110,090* | 93 | | 30 | 79.4 | 102,900* | 144 | 180' (54.9M) | 33 | 80.8 | 63,970* | 184 | | | | | |
| | 35 | 69.9 | 90,510* | 91 | | 35 | 77.3 | 85,490* | 143 | | 35 | 80.1 | 62,510* | 184 | | | | | |
| | 40 | 66.5 | 76,780* | 89 | | 40 | 75.2 | 72,240* | 142 | | 40 | 78.5 | 62,460* | 183 | | | | | |
| | 50 | 59.3 | 56,940 | 84 | | 50 | 70.9 | 55,050* | 139 | | 50 | 75.2 | 52,640* | 181 | | | | | |
| 60 | 51.5 | 44,900 | 77 | 60 | | 66.5 | 43,780 | 135 | 60 | | 71.9 | 41,910* | 178 | | | | | | |
| 70 | 42.8 | 36,840 | 67 | 70 | | 61.9 | 35,670 | 130 | 70 | | 68.5 | 33,760* | 174 | | | | | | |
| 80 | 32.2 | 31,080 | 54 | 80 | | 57.2 | 29,880 | 124 | 80 | | 65.1 | 28,040* | 170 | | | | | | |
| 90 | 16.5 | 26,280* | 32 | 90 | 52.1 | 25,270* | 117 | 90 | 61.5 | | 23,510* | 165 | | | | | | | |
| 100' (30.5M) | 20 | 80.9 | 165,040* | 105 | 100 | 46.7 | 22,150* | 108 | 100 | | 57.8 | 20,530* | 159 | | | | | | |
| | 25 | 78.0 | 132,000* | 104 | 110 | 40.8 | 19,020* | 98 | 110 | | 53.9 | 17,510* | 152 | | | | | | |
| | 30 | 75.0 | 107,360* | 103 | 120 | 34.0 | 16,430* | 84 | 120 | | 49.9 | 15,030* | 144 | | | | | | |
| | 35 | 72.0 | 89,370* | 102 | 130 | 25.6 | 14,210* | 67 | 130 | | 45.6 | 12,970* | 135 | | | | | | |
| | 40 | 69.0 | 75,650* | 100 | 140 | 13.1 | 12,200* | 38 | 140 | | 40.9 | 11,210* | 124 | | | | | | |
| | 50 | 62.7 | 56,730 | 95 | 150' (45.7M) | 28 | 80.8 | 97,550* | 155 | | 150 | 35.7 | 9,710* | 111 | | | | | |
| | 60 | 56.0 | 44,670 | 89 | | 30 | 80.1 | 96,900* | 154 | 160 | 29.8 | 8,400* | 96 | | | | | | |
| | 70 | 48.7 | 36,590 | 81 | | 35 | 78.1 | 84,720* | 153 | 170 | 22.5 | 7,270* | 75 | | | | | | |
| | 80 | 40.5 | 30,820 | 71 | | 40 | 76.2 | 71,540* | 152 | 180 | 11.5 | 6,210* | 42 | | | | | | |
| | 90 | 30.5 | 26,490* | 57 | | 50 | 72.2 | 54,460* | 149 | | | | | | | | | | |
| 100 | 15.6 | 22,530* | 33 | 60 | | 68.1 | 43,560 | 146 | | | | | | | | | | | |

**LIFT RATINGS IN POUNDS (continued)****With 59H Open Throat Boom with 24' Floating Mast and 70,000 Pound Counterweight**

| Boom Length | Radius (Feet) | Boom Angle (Degrees) | Side Frames Extended (Pounds) | From Boom Pt. to Ground (Feet) | Boom Length | Radius (Feet) | Boom Angle (Degrees) | Side Frames Extended (Pounds) | From Boom Pt. to Ground (Feet) | Boom Length | Radius (Feet) | Boom Angle (Degrees) | Side Frames Extended (Pounds) | From Boom Pt. to Ground (Feet) | | |
|-----------------|---------------|----------------------|-------------------------------|--------------------------------|-----------------|-----------------|----------------------|-------------------------------|--------------------------------|-----------------|-----------------|----------------------|-------------------------------|--------------------------------|---------|-----|
| 190' (57.9M) | 34 | 81.0 | 56,330* | 194 | 210' (con't) | 110 | 59.7 | 16,300* | 188 | 230' (con't) | 170 | 43.8 | 5,430* | 165 | | |
| | 35 | 80.7 | 56,040* | 194 | | 120 | 56.5 | 13,850* | 182 | | 180 | 40.0 | 4,470* | 154 | | |
| | 40 | 79.1 | 55,140* | 193 | | 130 | 53.1 | 11,820* | 174 | | 190 | 36.0 | 3,630* | 141 | | |
| | 50 | 76.0 | 51,110* | 191 | | 140 | 49.6 | 10,100* | 166 | | 200 | 31.5 | 2,870* | 126 | | |
| | 60 | 72.9 | 41,410* | 188 | | 150 | 46.0 | 8,630* | 157 | | 210 | 26.3 | 2,210* | 108 | | |
| | 70 | 69.7 | 33,290* | 185 | | 160 | 42.0 | 7,360* | 147 | | 220 | 19.9 | 1,610* | 84 | | |
| | 80 | 66.5 | 27,610* | 181 | | 170 | 37.7 | 6,270* | 135 | | 230 | 10.2 | 1,090* | 47 | | |
| | 90 | 63.1 | 23,100* | 176 | | 180 | 33.0 | 5,290* | 121 | | 240' (73.2M) | 42 | 80.9 | 29,940* | 244 | |
| | 100 | 59.7 | 20,130* | 170 | | 190 | 27.5 | 4,420* | 103 | | | 50 | 79.0 | 27,520* | 242 | |
| | 110 | 56.1 | 17,120* | 164 | | 200 | 20.8 | 3,650* | 81 | | | 60 | 76.5 | 25,470* | 240 | |
| | 120 | 52.4 | 14,650* | 157 | | 210 | 10.7 | 2,960* | 45 | | | 70 | 74.1 | 23,600* | 237 | |
| | 130 | 48.5 | 12,610* | 149 | | 220' (67.1M) | 39 | 80.9 | 38,600* | | | 224 | 80 | 71.6 | 21,700* | 234 |
| | 140 | 44.3 | 10,860* | 139 | | | 40 | 80.6 | 38,460* | | | 224 | 90 | 69.0 | 19,100* | 231 |
| | 150 | 39.8 | 9,380* | 128 | | | 50 | 78.0 | 35,810* | | | 222 | 100 | 66.4 | 17,800* | 227 |
| | 160 | 34.8 | 8,080* | 115 | | | 60 | 75.3 | 33,580* | | | 219 | 110 | 63.8 | 14,850* | 222 |
| | 170 | 29.0 | 6,970* | 98 | | | 70 | 72.6 | 31,060* | | | 217 | 120 | 61.1 | 12,430* | 217 |
| 180 | 21.9 | 6,960* | 77 | 80 | 69.8 | | 26,180* | 213 | 130 | 58.3 | | 10,430* | 211 | | | |
| 190 | 11.2 | 5,040* | 43 | 90 | 67.0 | | 22,460* | 209 | 140 | 55.5 | | 8,730* | 204 | | | |
| 200' (61.0M) | 36 | 80.8 | 49,550* | 204 | 100 | | 64.2 | 18,750* | 205 | 150 | | 52.5 | 7,280* | 197 | | |
| | 40 | 79.7 | 48,810* | 203 | 110 | | 61.2 | 15,780* | 199 | 160 | | 49.5 | 6,030* | 189 | | |
| | 50 | 76.7 | 46,380* | 201 | 120 | | 58.2 | 13,350* | 193 | 170 | | 46.2 | 4,940* | 180 | | |
| | 60 | 73.8 | 40,800* | 199 | 130 | | 55.1 | 11,320* | 187 | 180 | | 42.8 | 3,900* | 169 | | |
| | 70 | 70.8 | 32,700* | 195 | 140 | | 51.8 | 9,610* | 179 | 190 | | 39.2 | 3,160* | 158 | | |
| | 80 | 67.7 | 27,060* | 192 | 150 | | 48.4 | 8,150* | 171 | 200 | 35.2 | 2,410* | 145 | | | |
| | 90 | 64.6 | 22,560* | 187 | 160 | | 44.8 | 6,920* | 161 | 210 | 30.8 | 1,760* | 129 | | | |
| | 100 | 61.3 | 19,600* | 182 | 170 | | 41.0 | 5,790* | 151 | 220 | 25.7 | 1,170* | 110 | | | |
| | 110 | 58.0 | 16,610* | 176 | 180 | | 36.8 | 4,850* | 138 | 250' (76.2M) | 44 | 80.8 | 24,300* | 254 | | |
| | 120 | 54.6 | 14,160* | 169 | 190 | 32.2 | 3,990* | 124 | 50 | | 79.4 | 23,650* | 253 | | | |
| | 130 | 51.0 | 12,120* | 162 | 200 | 26.9 | 3,240* | 106 | 60 | | 77.1 | 21,840* | 250 | | | |
| | 140 | 47.2 | 10,400* | 153 | 210 | 20.4 | 2,570* | 83 | 70 | | 74.7 | 20,400* | 248 | | | |
| | 150 | 43.1 | 8,920* | 143 | 220 | 10.4 | 1,970* | 46 | 80 | | 72.3 | 19,020* | 245 | | | |
| | 160 | 38.7 | 7,670* | 131 | 230' (70.1M) | 41 | 80.8 | 34,150* | 234 | | 90 | 69.9 | 17,120* | 242 | | |
| | 170 | 33.8 | 6,530* | 118 | | 50 | 78.5 | 32,110* | 232 | | 100 | 67.4 | 15,880* | 238 | | |
| | 180 | 28.3 | 5,550* | 101 | | 60 | 75.9 | 29,660* | 230 | | 110 | 64.9 | 14,000* | 233 | | |
| 190 | 21.4 | 4,700* | 79 | 70 | | 73.4 | 26,630* | 227 | 120 | | 62.4 | 11,520* | 228 | | | |
| 200 | 10.9 | 3,910* | 44 | 80 | | 70.7 | 24,740* | 224 | 130 | | 59.8 | 9,880* | 223 | | | |
| 210' (64.0M) | 38 | 80.7 | 43,470* | 214 | | 90 | 68.1 | 22,040* | 220 | | 140 | 57.1 | 7,800* | 217 | | |
| | 40 | 80.2 | 43,200* | 214 | | 100 | 65.4 | 18,440* | 216 | | 150 | 54.3 | 6,620* | 210 | | |
| | 50 | 77.4 | 40,370* | 212 | | 110 | 62.6 | 15,370* | 211 | | 160 | 51.4 | 5,490* | 202 | | |
| | 60 | 74.6 | 37,830* | 209 | | 120 | 59.7 | 12,950* | 205 | | 170 | 48.4 | 4,290* | 194 | | |
| | 70 | 71.7 | 32,330* | 206 | | 130 | 56.8 | 10,940* | 199 | | 180 | 45.2 | 3,310* | 184 | | |
| | 80 | 68.8 | 27,710* | 202 | | 140 | 53.8 | 9,230* | 192 | | 190 | 41.9 | 2,620* | 174 | | |
| | 90 | 65.9 | 23,480* | 198 | | 150 | 50.6 | 7,780* | 184 | 200 | 38.3 | 1,800* | 162 | | | |
| | 100 | 62.8 | 19,280* | 193 | | 160 | 47.3 | 6,540* | 175 | 210 | 34.5 | 1,280* | 148 | | | |

**LIFT RATINGS IN POUNDS****With 59HI Open Throat Boom, with 24' Floating Mast and 70,000 Pound Counterweight, #9HL Jib**

| Boom and Jib Length | Jib Radius (Feet) | 5.0 Deg Offset | | 15.0 Deg Offset | | 25.0 Deg Offset | | |
|-------------------------------------|-------------------------------------|----------------|------------------|-----------------|------------------|-----------------|------------------|---------|
| | | Boom Angle | Ratings (Pounds) | Boom Angle | Ratings (Pounds) | Boom Angle | Ratings (Pounds) | |
| 40' (12.2M) JIB & 100' (30.5M) BOOM | 30 | 80.7 | 22,540* | | | | | |
| | 35 | 78.6 | 22,540* | | | | | |
| | 40 | 76.5 | 22,490* | 79.2 | 21,240* | | | |
| | 50 | 72.3 | 21,760* | 75.0 | 20,730* | 77.5 | 19,810* | |
| | 60 | 68.0 | 21,080* | 70.6 | 20,160* | 73.1 | 19,480* | |
| | 70 | 63.5 | 20,540* | 66.1 | 19,750* | 68.5 | 18,320* | |
| | 80 | 58.8 | 20,050* | 61.4 | 19,320* | 63.7 | 16,970* | |
| 40' (12.2M) JIB & 110' (33.5M) BOOM | 90 | 53.9 | 19,580* | 56.4 | 19,030* | 58.6 | 15,860* | |
| | 100 | 48.6 | 19,160* | 51.1 | 18,040* | 53.2 | 14,930* | |
| | 31 | 80.9 | 22,530* | | | | | |
| | 35 | 79.4 | 22,530* | | | | | |
| | 40 | 77.4 | 22,530* | 80.0 | 21,340* | | | |
| | 50 | 73.5 | 21,920* | 76.0 | 20,820* | 78.4 | 19,900* | |
| | 60 | 69.5 | 21,270* | 72.0 | 20,320* | 74.3 | 19,530* | |
| 40' (12.2M) JIB & 120' (36.6M) BOOM | 70 | 65.4 | 20,790* | 67.8 | 19,870* | 70.1 | 18,860* | |
| | 80 | 61.1 | 20,220* | 63.5 | 19,530* | 65.7 | 17,540* | |
| | 90 | 56.6 | 19,850* | 59.0 | 19,160* | 61.1 | 16,350* | |
| | 100 | 51.9 | 19,400* | 54.2 | 18,830* | 56.2 | 15,410* | |
| | 110 | 46.8 | 19,060* | 49.1 | 17,570* | 51.0 | 14,640* | |
| | 33 | 80.7 | 22,520* | | | | | |
| | 35 | 80.0 | 22,520* | | | | | |
| 40' (12.2M) JIB & 120' (36.6M) BOOM | 40 | 78.2 | 22,520* | 80.6 | 21,450* | | | |
| | 50 | 74.6 | 22,080* | 76.9 | 20,870* | 79.1 | 19,990* | |
| | 60 | 70.8 | 21,530* | 73.2 | 20,470* | 75.3 | 19,580* | |
| | 70 | 67.0 | 20,930* | 69.3 | 20,050* | 71.4 | 19,260* | |
| | 80 | 63.1 | 20,500* | 65.3 | 19,680* | 67.4 | 18,010* | |
| | 90 | 59.0 | 20,030* | 61.2 | 19,300* | 63.2 | 16,850* | |
| | 100 | 54.7 | 19,600* | 56.9 | 19,050* | 58.8 | 15,900* | |
| 40' (12.2M) JIB & 130' (39.6M) BOOM | 110 | 50.1 | 19,300* | 52.3 | 18,270* | 54.1 | 15,040* | |
| | 120 | 45.3 | 18,060* | 47.4 | 17,190* | 49.1 | 14,400* | |
| | 34 | 80.9 | 22,500* | | | | | |
| | 35 | 80.6 | 22,500* | | | | | |
| | 40 | 78.9 | 22,500* | | | | | |
| | 50 | 75.5 | 22,230* | 77.7 | 21,020* | 79.8 | 20,000* | |
| | 60 | 72.0 | 21,690* | 74.2 | 20,530* | 76.2 | 19,720* | |
| 40' (12.2M) JIB & 140' (42.7M) BOOM | 70 | 68.4 | 21,140* | 70.6 | 20,110* | 72.6 | 19,400* | |
| | 80 | 64.8 | 20,660* | 66.9 | 19,810* | 68.9 | 18,410* | |
| | 90 | 61.0 | 20,220* | 63.1 | 19,470* | 65.0 | 17,270* | |
| | 100 | 57.0 | 19,810* | 59.1 | 19,200* | 61.0 | 16,340* | |
| | 110 | 52.9 | 19,440* | 55.0 | 18,950* | 56.7 | 15,470* | |
| | 120 | 48.5 | 17,820* | 50.5 | 17,820* | 52.2 | 14,800* | |
| | 130 | 43.8 | 15,960* | 45.8 | 15,970* | 47.4 | 14,190* | |
| 40' (12.2M) JIB & 140' (42.7M) BOOM | 36 | 80.8 | 22,490* | | | | | |
| | 40 | 79.5 | 22,490* | | | | | |
| | 50 | 76.3 | 22,390* | 78.4 | 21,090* | 80.4 | 20,070* | |
| | 60 | 73.0 | 21,780* | 75.1 | 20,680* | 77.0 | 19,770* | |
| | 70 | 69.7 | 21,340* | 71.7 | 20,290* | 73.6 | 19,460* | |
| | 80 | 66.2 | 20,790* | 68.3 | 19,920* | 70.1 | 18,870* | |
| | 90 | 62.7 | 20,400* | 64.7 | 19,610* | 66.5 | 17,680* | |
| | 100 | 59.1 | 20,040* | 61.1 | 19,280* | 62.8 | 16,740* | |
| | 110 | 55.3 | 19,640* | 57.2 | 19,040* | 58.9 | 15,920* | |
| | 120 | 51.3 | 17,550* | 53.2 | 17,550* | 54.9 | 15,170* | |
| | 130 | 47.1 | 15,680* | 49.0 | 15,690* | 50.5 | 14,530* | |
| | 140 | 42.5 | 14,120* | 44.3 | 14,120* | 45.8 | 14,000* | |
| | 40' (12.2M) JIB & 150' (45.7M) BOOM | 37 | 81.0 | 22,470* | | | | |
| | | 40 | 80.1 | 22,470* | | | | |
| 50 | | 77.0 | 22,460* | 79.0 | 21,160* | 80.9 | 20,150* | |
| 60 | | 73.9 | 21,970* | 75.9 | 20,740* | 77.7 | 19,830* | |
| 70 | | 70.8 | 21,430* | 72.7 | 20,370* | 74.5 | 19,520* | |
| 80 | | 67.6 | 20,990* | 69.5 | 20,020* | 71.3 | 19,220* | |
| 90 | | 64.3 | 20,550* | 66.2 | 19,650* | 67.9 | 18,140* | |
| 100 | | 60.9 | 20,140* | 62.8 | 19,360* | 64.4 | 17,160* | |
| 110 | | 57.4 | 19,520* | 59.2 | 19,170* | 60.9 | 16,240* | |
| 120 | | 53.7 | 17,290* | 55.5 | 17,290* | 57.1 | 15,550* | |
| 130 | | 49.8 | 15,430* | 51.6 | 15,440* | 53.1 | 14,900* | |
| 140 | | 45.7 | 13,860* | 47.5 | 13,860* | 48.9 | 13,860* | |
| 150 | | 41.3 | 12,510* | 43.0 | 12,520* | 44.4 | 12,520* | |
| 40' (12.2M) JIB & 160' (48.8M) BOOM | | 39 | 80.9 | 22,460* | | | | |
| | 40 | 80.6 | 22,460* | | | | | |
| | 50 | 77.7 | 22,460* | 79.6 | 21,240* | | | |
| | 60 | 74.7 | 22,060* | 76.6 | 20,800* | 78.4 | 19,820* | |
| | 70 | 71.8 | 21,540* | 73.6 | 20,460* | 75.4 | 19,580* | |
| 80 | 68.7 | 21,110* | 70.6 | 20,110* | 72.3 | 19,300* | | |
| 40' & 160' (con't) | 90 | 65.6 | 20,690* | | | | | |
| | 100 | 62.5 | 20,310* | | | | | |
| | 110 | 59.2 | 19,260 | | | | | |
| | 120 | 55.8 | 17,030 | | | | | |
| | 130 | 52.2 | 15,160 | | | | | |
| | 140 | 48.5 | 13,590 | | | | | |
| | 150 | 44.5 | 12,230 | | | | | |
| | 160 | 40.2 | 11,070 | | | | | |
| | 67.5 | 19,820* | 69.1 | 18,460* | | | | |
| | 64.3 | 19,500* | 65.9 | 17,480* | | | | |
| 61.0 | 19,260 | 62.5 | 16,660* | | | | | |
| 57.5 | 17,030 | 59.1 | 15,880* | | | | | |
| 54.0 | 15,160 | 55.4 | 15,160 | | | | | |
| 50.2 | 13,590 | 51.6 | 13,590 | | | | | |
| 46.2 | 12,230 | 47.5 | 12,240 | | | | | |
| 41.8 | 11,070 | 43.0 | 11,070 | | | | | |
| 40' (12.2M) JIB & 170' (51.8M) BOOM | 41 | 80.8 | 22,450* | | | | | |
| | 50 | 78.3 | 22,450* | | | | | |
| | 60 | 75.5 | 22,150* | 80.1 | 21,330* | | | |
| | 70 | 72.7 | 21,750* | 74.4 | 20,500* | 79.0 | 19,890* | |
| | 80 | 69.8 | 21,320* | 71.6 | 20,200* | 73.2 | 19,390* | |
| | 90 | 66.9 | 20,900* | 68.6 | 19,850* | 70.2 | 18,870* | |
| | 100 | 63.9 | 20,520* | 65.6 | 19,630* | 67.1 | 17,860* | |
| | 110 | 60.8 | 19,020 | 62.5 | 19,020 | 64.0 | 16,980* | |
| | 120 | 57.6 | 16,780 | 59.3 | 16,780 | 60.8 | 16,230* | |
| | 130 | 54.3 | 14,920 | 56.0 | 14,920 | 57.4 | 14,920 | |
| | 140 | 50.9 | 13,340 | 52.5 | 13,340 | 53.9 | 13,340 | |
| | 150 | 47.2 | 11,990 | 48.8 | 11,990 | 50.1 | 12,000 | |
| | 160 | 43.4 | 10,820 | 44.9 | 10,820 | 46.2 | 10,820 | |
| | 170 | 39.2 | 9,800 | 40.7 | 9,810 | 41.8 | 9,810 | |
| | 40' (12.2M) JIB & 180' (54.9M) BOOM | 42 | 80.9 | 22,430* | | | | |
| | | 50 | 78.8 | 22,430* | | | | |
| | | 60 | 76.2 | 22,250* | 80.5 | 21,340* | | |
| 70 | | 73.5 | 21,860* | 75.2 | 20,640* | 79.5 | 19,900* | |
| 80 | | 70.7 | 21,430* | 72.4 | 20,290* | 74.0 | 19,400* | |
| 90 | | 68.0 | 20,510* | 69.6 | 19,710* | 71.2 | 18,960* | |
| 100 | | 65.1 | 19,430* | 66.8 | 18,860* | 68.3 | 18,190* | |
| 110 | | 62.2 | 18,410* | 63.9 | 17,930* | 65.3 | 17,280* | |
| 120 | | 59.2 | 16,510 | 60.9 | 16,510 | 62.3 | 16,520 | |
| 130 | | 56.2 | 14,650 | 57.8 | 14,650 | 59.1 | 14,660 | |
| 140 | | 53.0 | 13,070 | 54.5 | 13,070 | 55.9 | 13,080 | |
| 150 | | 49.6 | 11,710 | 51.2 | 11,710 | 52.4 | 11,720 | |
| 160 | | 46.1 | 10,550 | 47.6 | 10,550 | 48.8 | 10,550 | |
| 170 | | 42.3 | 9,530 | 43.8 | 9,530 | 44.9 | 9,540 | |
| 180 | | 38.2 | 8,630 | 39.7 | 8,630 | 40.7 | 8,640 | |
| 40' (12.2M) JIB & 190' (57.9M) BOOM | | 44 | 80.8 | 22,420* | | | | |
| | | 50 | 79.3 | 21,820* | | | | |
| | | 60 | 76.8 | 20,720* | 81.0 | 20,210* | | |
| | 70 | 74.2 | 19,660* | 75.8 | 18,670* | 79.9 | 18,210* | |
| | 80 | 71.6 | 18,580* | 73.2 | 17,810* | 77.4 | 17,640* | |
| | 90 | 69.0 | 17,540* | 70.6 | 16,920* | 72.0 | 16,280* | |
| | 100 | 66.3 | 16,580* | 67.9 | 16,090* | 69.3 | 15,610* | |
| | 110 | 63.5 | 15,620* | 65.1 | 15,240* | 66.5 | 14,860* | |
| | 120 | 60.7 | 14,660* | 62.3 | 14,410* | 63.7 | 14,080* | |
| | 130 | 57.8 | 13,800* | 59.4 | 13,620* | 60.7 | 13,390* | |
| | 140 | 54.8 | 12,810 | 56.3 | 12,820 | 57.6 | 12,620* | |
| | 150 | 51.7 | 11,450 | 53.2 | 11,460 | 54.5 | 11,460 | |
| | 160 | 48.4 | 10,290 | 49.9 | 10,290 | 51.1 | 10,290 | |
| | 170 | 45.0 | 9,260 | 46.4 | 9,260 | 47.6 | 9,270 | |
| | 180 | 41.3 | 8,370 | 42.7 | 8,370 | 43.8 | 8,370 | |
| | 190 | 37.4 | 7,560 | 38.7 | 7,570 | 39.7 | 7,570 | |
| | 40' (12.2M) JIB & 200' (61.0M) BOOM | 45 | 81.0 | 19,540* | | | | |
| | | 50 | 79.7 | 19,060* | | | | |
| | | 60 | 77.3 | 17,950* | 78.9 | 16,940* | 80.4 | 15,870* |
| 70 | | 74.9 | 16,910* | 76.4 | 16,110* | 77.9 | 15,320* | |
| 80 | | 72.4 | 15,900* | 74.0 | 15,290* | 75.4 | 14,680* | |
| 90 | | 69.9 | 14,930* | 71.4 | 14,530* | 72.8 | 14,000* | |
| 100 | | 67.3 | 14,010* | 68.9 | 13,690* | 70.2 | 13,280* | |
| 110 | | 64.7 | 13,160* | 66.2 | 12,880* | 67.6 | 12,610* | |
| 120 | | 62.0 | 12,320* | 63.6 | 12,140* | 64.9 | 11,900* | |
| 130 | | 59.3 | 11,520* | 60.8 | 11,400* | 62.1 | 11,190* | |
| 40' (12.2M) JIB & 200' (61.0M) BOOM | 140 | 56.5 | 10,720* | 58.0 | 10,670* | 59.2 | 10,520* | |
| | 150 | 53.6 | 10,000* | 55.0 | 9,930* | 56.2 | 9,850* | |
| | 160 | 50.5 | 9,230* | 52.0 | 9,250* | 53.1 | 9,180* | |
| | 170 | 47.3 | 8,520* | 48.8 | 8,550* | 49.9 | 8,540* | |
| | 180 | 44.0 | 7,810* | 45.4 | 7,850* | 46.4 | 7,850* | |
| | 190 | 40.4 | 7,090* | 41.8 | 7,140* | 42.8 | 7,170* | |
| | 200 | 36.5 | 6,330* | 37.8 | 6,440* | 38.7 | 6,480* | |

**LIFT RATINGS IN POUNDS (continued)****With 59H Open Throat Boom, with 24' Floating Mast and 70,000 Pound Counterweight, #9HL Jib**

| Boom and Jib Length | Jib Radius (Feet) | 5.0 Deg Offset | | 15.0 Deg Offset | | 25.0 Deg Offset | | Boom and Jib Length | Jib Radius (Feet) | 5.0 Deg Offset | | 15.0 Deg Offset | | 25.0 Deg Offset | | |
|-------------------------------------|-------------------|----------------|------------------|-----------------|------------------|-----------------|------------------|-------------------------------------|-------------------|----------------|------------------|-----------------|------------------|-----------------|------------------|--|
| | | Boom Angle | Ratings (Pounds) | Boom Angle | Ratings (Pounds) | Boom Angle | Ratings (Pounds) | | | Boom Angle | Ratings (Pounds) | Boom Angle | Ratings (Pounds) | Boom Angle | Ratings (Pounds) | |
| 40' (12.2M) JIB & 210' (64.0M) BOOM | 47 | 80.9 | 16,930* | | | | | 40' (12.2M) JIB & 250' (76.2M) BOOM | 53 | 80.9 | 8,930* | | | | | |
| | 50 | 80.2 | 16,590* | | | | | | 60 | 79.5 | 8,260* | 80.8 | 8,050* | | | |
| | 60 | 77.8 | 15,540* | 79.4 | 14,710* | 80.8 | 13,840* | | 70 | 77.5 | 7,360* | 78.8 | 7,270* | 80.0 | 7,100* | |
| | 70 | 75.5 | 14,570* | 77.0 | 13,920* | 78.4 | 13,260* | | 80 | 75.5 | 6,550* | 76.8 | 6,520* | 78.0 | 6,440* | |
| | 80 | 73.1 | 13,580* | 74.6 | 13,130* | 76.0 | 12,640* | | 90 | 73.5 | 5,770* | 74.7 | 5,810* | 75.9 | 5,790* | |
| | 90 | 70.7 | 12,670* | 72.2 | 12,360* | 73.6 | 12,000* | | 100 | 71.4 | 5,070* | 72.7 | 5,130* | 73.8 | 5,150* | |
| | 100 | 68.3 | 11,850* | 69.8 | 11,680* | 71.1 | 11,310* | | 110 | 69.3 | 4,410* | 70.6 | 4,510* | 71.7 | 4,560* | |
| | 110 | 65.8 | 11,020* | 67.3 | 10,840* | 68.6 | 10,650* | | 120 | 67.2 | 3,810* | 68.4 | 3,910* | 69.6 | 4,000* | |
| | 120 | 63.3 | 10,230* | 64.7 | 10,130* | 66.0 | 9,970* | | 130 | 65.0 | 3,240* | 66.3 | 3,360* | 67.4 | 3,440* | |
| | 130 | 60.7 | 9,530* | 62.1 | 9,430* | 63.4 | 9,340* | | 140 | 62.8 | 2,700* | 64.1 | 2,830* | 65.2 | 2,940* | |
| | 140 | 58.0 | 8,790* | 59.4 | 8,750* | 60.6 | 8,720* | | 150 | 60.6 | 2,180* | 61.8 | 2,330* | 62.9 | 2,440* | |
| | 150 | 55.2 | 8,120* | 56.6 | 8,120* | 57.8 | 8,090* | | 160 | 58.3 | 1,700* | 59.5 | 1,850* | 60.6 | 1,970* | |
| 160 | 52.4 | 7,440* | 53.8 | 7,490* | 54.9 | 7,470* | 170 | 55.9 | 1,230* | 57.1 | 1,390* | 58.2 | 1,520* | | | |
| 170 | 49.4 | 6,800* | 50.8 | 6,850* | 51.9 | 6,870* | 180 | 53.5 | 800* | 54.7 | 960* | 55.7 | 1,080* | | | |
| 180 | 46.3 | 6,160* | 47.7 | 6,250* | 48.7 | 6,270* | | | | | | | | | | |
| 190 | 43.1 | 5,530* | 44.4 | 5,610* | 45.4 | 5,660* | | | | | | | | | | |
| 200 | 39.6 | 4,900* | 40.8 | 5,010* | 41.8 | 5,050* | | | | | | | | | | |
| 210 | 35.8 | 4,250* | 37.0 | 4,360* | 37.8 | 4,410* | | | | | | | | | | |
| 40' (12.2M) JIB & 220' (67.1M) BOOM | 48 | 81.0 | 14,610* | | | | | 50' (15.2M) JIB & 130' (39.6M) BOOM | 37 | 80.8 | 20,570* | | | | | |
| | 50 | 80.5 | 14,440* | | | | | | 40 | 79.8 | 20,430* | | | | | |
| | 60 | 78.3 | 13,400* | 79.8 | 12,800* | | | | 50 | 76.6 | 19,680* | 79.2 | 17,970* | | | |
| | 70 | 76.1 | 12,420* | 77.5 | 11,970* | 78.9 | 11,480* | | 60 | 73.3 | 18,980* | 75.9 | 17,510* | 78.4 | 16,240* | |
| | 80 | 73.8 | 11,550* | 75.2 | 11,210* | 76.6 | 10,820* | | 70 | 69.9 | 18,360* | 72.5 | 17,010* | 74.9 | 15,900* | |
| | 90 | 71.5 | 10,660* | 72.9 | 10,450* | 74.2 | 10,150* | | 80 | 66.5 | 17,800* | 69.1 | 16,610* | 71.4 | 15,600* | |
| | 100 | 69.1 | 9,880* | 70.6 | 9,730* | 71.9 | 9,500* | | 90 | 63.0 | 17,220* | 65.5 | 16,170* | 67.8 | 14,600* | |
| | 110 | 66.8 | 9,080* | 68.2 | 9,000* | 69.5 | 8,870* | | 100 | 59.3 | 16,720* | 61.9 | 15,700* | 64.1 | 13,740* | |
| | 120 | 64.4 | 8,370* | 65.8 | 8,300* | 67.0 | 8,240* | | 110 | 55.6 | 16,190* | 58.0 | 15,260* | 60.2 | 13,010* | |
| | 130 | 61.9 | 7,690* | 63.3 | 7,680* | 64.5 | 7,620* | | 120 | 51.6 | 15,710* | 54.0 | 14,890* | 56.1 | 12,370* | |
| | 140 | 59.4 | 7,040* | 60.7 | 7,060* | 61.9 | 7,020* | | 130 | 47.3 | 15,240* | 49.7 | 14,210* | 51.7 | 11,850* | |
| | 150 | 56.8 | 6,410* | 58.1 | 6,460* | 59.3 | 6,460* | | | | | | | | | |
| 170 | 51.3 | 5,220* | 52.6 | 5,300* | 53.7 | 5,330* | | | | | | | | | | |
| 180 | 48.4 | 4,640* | 49.7 | 4,750* | 50.8 | 4,780* | | | | | | | | | | |
| 190 | 45.4 | 4,080* | 46.7 | 4,190* | 47.7 | 4,240* | | | | | | | | | | |
| 200 | 42.2 | 3,530* | 43.4 | 3,640* | 44.4 | 3,710* | | | | | | | | | | |
| 210 | 38.7 | 2,960* | 40.0 | 3,080* | 40.8 | 3,160* | | | | | | | | | | |
| 220 | 35.0 | 2,390* | 36.2 | 2,510* | 37.0 | 2,580* | | | | | | | | | | |
| 40' (12.2M) JIB & 230' (70.1M) BOOM | 50 | 80.9 | 12,470* | | | | | 50' (15.2M) JIB & 140' (42.7M) BOOM | 38 | 80.9 | 20,560* | | | | | |
| | 60 | 78.7 | 11,500* | 80.2 | 11,030* | | | | 40 | 80.3 | 20,410* | | | | | |
| | 70 | 76.6 | 10,600* | 78.0 | 10,250* | 79.3 | 9,860* | | 50 | 77.3 | 19,730* | 79.8 | 17,950* | | | |
| | 80 | 74.4 | 9,690* | 75.8 | 9,470* | 77.1 | 9,220* | | 60 | 74.2 | 19,130* | 76.7 | 17,660* | 79.0 | 16,210* | |
| | 90 | 72.2 | 8,860* | 73.6 | 8,760* | 74.8 | 8,540* | | 70 | 71.0 | 18,530* | 73.5 | 17,080* | 75.8 | 15,940* | |
| | 100 | 70.0 | 8,100* | 71.3 | 8,020* | 72.6 | 7,900* | | 80 | 67.8 | 17,910* | 70.3 | 16,690* | 72.5 | 15,700* | |
| | 110 | 67.7 | 7,380* | 69.0 | 7,340* | 70.3 | 7,300* | | 90 | 64.5 | 17,430* | 66.9 | 16,260* | 69.1 | 14,920* | |
| | 120 | 65.4 | 6,710* | 66.7 | 6,720* | 67.9 | 6,690* | | 100 | 61.1 | 16,890* | 63.6 | 16,900* | 66.7 | 14,060* | |
| | 130 | 63.0 | 6,060* | 64.4 | 6,100* | 65.5 | 6,110* | | 110 | 57.6 | 16,470* | 60.0 | 15,500* | 62.1 | 13,350* | |
| | 140 | 60.6 | 5,470* | 61.9 | 5,510* | 63.1 | 5,550* | | 120 | 53.9 | 16,000* | 56.3 | 15,100* | 58.3 | 12,680* | |
| | 150 | 58.1 | 4,880* | 59.5 | 4,950* | 60.6 | 4,990* | | 130 | 50.1 | 15,540* | 52.4 | 14,690* | 54.3 | 12,150* | |
| | 160 | 55.6 | 4,310* | 56.9 | 4,400* | 58.0 | 4,470* | | 140 | 46.0 | 14,220* | 48.2 | 3,920* | 50.1 | 11,670* | |
| 170 | 53.0 | 3,790* | 54.3 | 3,880* | 55.3 | 3,960* | | | | | | | | | | |
| 180 | 50.3 | 3,270* | 51.5 | 3,380* | 52.6 | 3,450* | | | | | | | | | | |
| 190 | 47.4 | 2,760* | 48.7 | 2,890* | 49.7 | 2,960* | | | | | | | | | | |
| 200 | 44.5 | 2,260* | 45.7 | 2,380* | 46.7 | 2,480* | | | | | | | | | | |
| 210 | 41.3 | 1,760* | 42.5 | 1,900* | 43.4 | 1,980* | | | | | | | | | | |
| 220 | 38.0 | 1,270* | 39.2 | 1,400* | 40.0 | 1,480* | | | | | | | | | | |
| 230 | 34.4 | 770* | 35.5 | 890* | 36.2 | 970* | | | | | | | | | | |
| 40' (12.2M) JIB & 240' (73.2M) BOOM | 52 | 80.8 | 10,550* | | | | | 50' (15.2M) JIB & 160' (48.8M) BOOM | 41 | 81.0 | 20,320* | | | | | |
| | 60 | 79.2 | 9,780* | 80.5 | 9,460* | | | | 50 | 78.6 | 19,850* | 80.8 | 17,940* | | | |
| | 70 | 77.1 | 8,880* | 78.4 | 8,670* | 79.7 | 8,420* | | 60 | 75.7 | 19,220* | 78.0 | 17,540* | 80.1 | 16,170* | |
| | 80 | 75.0 | 8,040* | 76.3 | 7,930* | 77.6 | 7,750* | | 70 | 72.9 | 18,710* | 75.1 | 17,210* | 77.2 | 15,920* | |
| | 90 | 72.8 | 7,260* | 74.2 | 7,200* | 75.4 | 7,110* | | 80 | 70.0 | 18,180* | 72.2 | 16,830* | 74.3 | 15,700* | |
| | 100 | 70.7 | 6,510* | 72.0 | 6,500* | 73.2 | 6,460* | | 90 | 67.1 | 17,730* | 69.3 | 16,500* | 71.3 | 15,500* | |
| | 110 | 68.5 | 5,820* | 69.8 | 5,870* | 71.0 | 5,860* | | 100 | 64.1 | 17,230* | 66.3 | 16,110* | 68.2 | 14,700* | |
| | 120 | 66.3 | 5,180* | 67.6 | 5,260* | 68.8 | 5,260* | | 110 | 61.0 | 16,800* | 63.2 | 15,820* | 65.1 | 13,950* | |
| | 130 | 64.1 | 4,570* | 65.4 | 4,670* | 66.5 | 4,710* | | 120 | 57.8 | 16,400* | 60.0 | 15,420* | 61.8 | 13,250* | |
| | 140 | 61.8 | 4,010* | 63.0 | 4,110* | 64.2 | 4,180* | | 130 | 54.6 | 15,260* | 56.6 | 15,090* | 58.5 | 12,680* | |
| | 150 | 59.4 | 3,470* | 60.7 | 3,580* | 61.8 | 3,660* | | 140 | 51.1 | 13,690* | 53.2 | 13,690* | 54.9 | 12,190* | |
| | 160 | 57.0 | 2,960* | 58.3 | 3,080* | 59.3 | 3,170* | | 150 | 47.5 | 12,330* | 49.5 | 12,330* | 51.2 | 11,750* | |
| 170 | 54.5 | 2,460* | 55.8 | 2,690* | 56.8 | 2,680* | 160 | 43.6 | 11,170* | 45.6 | 11,170* | 47.2 | 11,170* | | | |
| 180 | 52.0 | 1,990* | 53.2 | 2,110* | 54.2 | 2,220* | | | | | | | | | | |
| 190 | 49.3 | 1,520* | 50.5 | 1,660* | 51.5 | 1,760* | | | | | | | | | | |
| 200 | 46.5 | 1,070* | 47.7 | 1,210* | 48.7 | 1,320* | | | | | | | | | | |
| 210 | 43.6 | 630* | 44.8 | 770* | 45.7 | 870* | | | | | | | | | | |
| 40' (12.2M) JIB & 250' (76.2M) BOOM | 53 | 80.9 | 8,930* | | | | | 50' (15.2M) JIB & 170' (51.8M) BOOM | 43 | 80.9 | 20,140* | | | | | |
| | 60 | 79.5 | 8,260* | | | | | | 50 | 79.0 | 19,780* | | | | | |
| | 70 | 77.5 | 7,360* | | | | | | 60 | 76.4 | 19,320* | 78.5 | 17,540* | 80.6 | 16,110* | |
| | 80 | 75.5 | 6,550* | | | | | | 70 | 73.7 | 18,790* | 75.8 | 17,200* | 77.8 | 15,930* | |
| | 90 | 73.5 | 5,770* | | | | | | 80 | 71.0 | 18,280* | 73.1 | 16,830* | 75.1 | 15,700* | |
| | 100 | 71.4 | 5,070* | | | | | | 90 | 68.2 | 17,830* | 70.3 | 16,510* | 72.2 | 15,500* | |
| | 110 | 69.3 | 4,410* | | | | | | 100 | 65.4 | 17,350* | 67.4 | 16,200* | 69.3 | 14,980* | |
| | 120 | 67.2 | 3,810* | | | | | | 110 | 62.5 | 16,940* | 64.5 | 15,920* | 66.4 | 14,220* | |
| | 130 | 65.0 | 3,240* | | | | | | 120 | 59.6 | 16,560* | 61.6 | 16,610* | 63.3 | 13,520* | |
| | 140 | 62.8 | 2,700* | | | | | | 130 | 56.4 | 15,020* | 58.4 | 15,020* | 60.2 | 12,970* | |
| | 150 | 60.6 | 2,180* | | | | | | | | | | | | | |
| | 160 | 58.3 | 1,700* | | | | | | | | | | | | | |
| 170 | 55.9 | 1,230* | | | | | | | | | | | | | | |
| 180 | 53.5 | 800* | | | | | | | | | | | | | | |

**LIFT RATINGS IN POUNDS (continued)****With 59H Open Throat Boom, with 24' Floating Mast and 70,000 Pound Counterweight, #9HL Jib**

| Boom and Jib Length | Jib Radius (Feet) | 5.0 Deg Offset | | 15.0 Deg Offset | | 25.0 Deg Offset | |
|-------------------------------------|-------------------|----------------|------------------|-----------------|------------------|-----------------|------------------|
| | | Boom Angle | Ratings (Pounds) | Boom Angle | Ratings (Pounds) | Boom Angle | Ratings (Pounds) |
| 50' & 170' (con't) | 140 | 53.2 | 13,440 | 55.2 | 13,440 | 56.9 | 12,420* |
| | 150 | 49.8 | 12,080 | 61.8 | 12,090 | 63.4 | 12,020* |
| | 160 | 46.3 | 10,920 | 48.2 | 10,920 | 49.8 | 10,920 |
| | 170 | 42.5 | 9,900 | 44.4 | 9,900 | 45.9 | 9,910 |
| 50' (15.2M) JIB & 180' (54.9M) BOOM | 45 | 80.8 | 20,050* | | | | |
| | 50 | 79.5 | 19,800* | | | | |
| | 60 | 77.0 | 19,330* | 79.0 | 17,480* | 81.0 | 14,550* |
| | 70 | 74.4 | 18,800* | 76.5 | 17,210* | 78.4 | 14,550* |
| | 80 | 71.8 | 18,360* | 73.9 | 16,900* | 75.7 | 14,550* |
| | 90 | 69.2 | 17,860* | 71.2 | 16,540* | 73.1 | 14,550* |
| | 100 | 66.5 | 17,460* | 68.5 | 16,210* | 70.3 | 14,550* |
| | 110 | 63.7 | 17,060* | 65.7 | 15,940* | 67.5 | 14,480* |
| | 120 | 60.9 | 16,610 | 62.9 | 15,700* | 64.6 | 13,780* |
| | 130 | 58.0 | 14,750 | 60.0 | 14,760 | 61.7 | 13,230* |
| | 140 | 55.0 | 13,170 | 57.0 | 13,180 | 58.6 | 12,690* |
| | 150 | 51.9 | 11,810 | 53.8 | 11,820 | 55.4 | 11,820 |
| | 160 | 48.6 | 10,650 | 50.5 | 10,660 | 52.1 | 10,650 |
| | 170 | 45.2 | 9,620 | 47.0 | 9,620 | 48.5 | 9,630 |
| 180 | 41.5 | 8,730 | 43.3 | 8,730 | 44.7 | 8,730 | |
| 50' (15.2M) JIB & 190' (57.9M) BOOM | 46 | 80.9 | 19,900* | | | | |
| | 50 | 80.0 | 19,660* | | | | |
| | 60 | 77.5 | 19,260* | 79.5 | 17,420* | | |
| | 70 | 75.1 | 18,820* | 77.0 | 17,140* | 78.9 | 15,740* |
| | 80 | 72.6 | 17,780* | 74.6 | 16,770* | 76.4 | 15,580* |
| | 90 | 70.1 | 16,860* | 72.0 | 16,070* | 73.8 | 15,190* |
| | 100 | 67.5 | 15,890* | 69.5 | 15,250* | 71.2 | 14,650* |
| | 110 | 64.9 | 16,030* | 66.8 | 14,520* | 68.5 | 13,960* |
| | 120 | 62.3 | 14,150* | 64.1 | 13,740* | 65.8 | 13,290* |
| | 130 | 59.6 | 13,330* | 61.4 | 13,030* | 63.0 | 12,670* |
| | 140 | 56.7 | 12,540* | 58.6 | 12,290* | 60.2 | 12,030* |
| | 150 | 53.8 | 11,560 | 55.6 | 11,560 | 57.2 | 11,400* |
| | 160 | 50.7 | 10,390 | 52.6 | 10,390 | 54.0 | 10,390 |
| | 170 | 47.6 | 9,360 | 49.3 | 9,360 | 50.8 | 9,370 |
| 180 | 44.2 | 8,460 | 45.9 | 8,470 | 47.3 | 8,470 | |
| 190 | 40.6 | 7,660 | 42.3 | 7,660 | 43.6 | 7,670 | |
| 50' (15.2M) JIB & 200' (61.0M) BOOM | 48 | 80.8 | 18,440* | | | | |
| | 50 | 80.4 | 18,250* | | | | |
| | 60 | 78.0 | 17,250* | 79.9 | 15,910* | | |
| | 70 | 75.7 | 16,250* | 77.6 | 15,220* | 79.3 | 14,150* |
| | 80 | 73.3 | 15,260* | 75.2 | 14,490* | 76.9 | 13,600* |
| | 90 | 70.9 | 14,360* | 72.8 | 13,740* | 74.5 | 13,050* |
| | 100 | 68.5 | 13,510* | 70.3 | 13,040* | 72.0 | 12,500* |
| | 110 | 66.0 | 12,660* | 67.8 | 12,300* | 69.5 | 11,880* |
| | 120 | 63.5 | 11,870* | 65.3 | 11,610* | 66.9 | 11,260* |
| | 130 | 60.9 | 11,140* | 62.7 | 10,930* | 64.3 | 10,660* |
| | 140 | 58.2 | 10,420* | 60.0 | 10,230* | 61.5 | 10,040* |
| | 150 | 55.4 | 9,690* | 57.2 | 9,620* | 58.7 | 9,450* |
| | 160 | 52.6 | 9,000* | 54.3 | 8,980* | 55.8 | 8,880* |
| | 170 | 49.6 | 8,330* | 51.4 | 8,330* | 52.8 | 8,280* |
| 180 | 46.5 | 7,660* | 48.2 | 7,700* | 49.6 | 7,700* | |
| 190 | 43.2 | 7,000* | 44.9 | 7,080* | 46.2 | 7,090* | |
| 200 | 39.7 | 6,340* | 41.4 | 6,430* | 42.6 | 6,470* | |
| 50' (15.2M) JIB & 210' (64.0M) BOOM | 49 | 81.0 | 16,000* | | | | |
| | 50 | 80.7 | 15,950* | | | | |
| | 60 | 78.6 | 14,930* | 80.3 | 13,880* | 79.8 | 12,280* |
| | 70 | 76.2 | 13,970* | 78.1 | 13,170* | 77.5 | 11,780* |
| | 80 | 74.0 | 13,110* | 75.8 | 12,470* | 75.1 | 11,230* |
| | 90 | 71.7 | 12,210* | 73.5 | 11,740* | 75.1 | 11,230* |
| | 100 | 69.3 | 11,430* | 71.1 | 11,040* | 72.8 | 10,660* |
| | 110 | 67.0 | 10,640* | 68.7 | 10,400* | 70.3 | 10,060* |
| | 120 | 64.5 | 9,900* | 66.3 | 9,730* | 67.9 | 9,470* |
| | 130 | 62.1 | 9,220* | 63.8 | 9,070* | 65.4 | 8,890* |
| | 140 | 59.5 | 8,520* | 61.3 | 8,470* | 62.8 | 8,340* |
| | 150 | 56.9 | 7,900* | 58.7 | 7,860* | 60.1 | 7,790* |
| | 160 | 54.3 | 7,280* | 56.0 | 7,260* | 57.4 | 7,230* |
| | 170 | 51.5 | 6,660* | 53.2 | 6,710* | 54.6 | 6,690* |
| 180 | 48.6 | 6,070* | 50.2 | 6,130* | 51.6 | 6,160* | |
| 190 | 45.6 | 5,490* | 47.2 | 5,570* | 48.5 | 5,600* | |
| 200 | 42.4 | 4,910* | 43.9 | 5,010* | 45.2 | 5,060* | |
| 210 | 38.9 | 4,320* | 40.5 | 4,450* | 41.6 | 4,500* | |

| Boom and Jib Length | Jib Radius (Feet) | 5.0 Deg Offset | | 15.0 Deg Offset | | 25.0 Deg Offset | |
|-------------------------------------|-------------------|----------------|------------------|-----------------|------------------|-----------------|------------------|
| | | Boom Angle | Ratings (Pounds) | Boom Angle | Ratings (Pounds) | Boom Angle | Ratings (Pounds) |
| 50' (15.2M) JIB & 220' (67.1M) BOOM | 51 | 80.9 | 13,770* | | | | |
| | 60 | 78.9 | 12,920* | 80.7 | 12,070* | | |
| | 70 | 76.8 | 12,010* | 78.5 | 11,340* | 80.2 | 10,670* |
| | 80 | 74.6 | 11,130* | 76.3 | 10,670* | 77.9 | 10,120* |
| | 90 | 72.4 | 10,280* | 74.1 | 9,970* | 75.7 | 9,570* |
| | 100 | 70.1 | 9,520* | 71.9 | 9,290* | 73.4 | 9,010* |
| | 110 | 67.9 | 8,780* | 69.6 | 8,620* | 71.1 | 8,420* |
| | 120 | 65.6 | 8,100* | 67.3 | 8,020* | 68.8 | 7,850* |
| | 130 | 63.2 | 7,450* | 64.9 | 7,420* | 66.4 | 7,300* |
| | 140 | 60.8 | 6,830* | 62.5 | 6,840* | 63.9 | 6,760* |
| | 150 | 58.3 | 6,270* | 60.0 | 6,270* | 61.4 | 6,240* |
| | 160 | 55.8 | 5,660* | 57.4 | 5,720* | 58.8 | 5,720* |
| | 170 | 53.2 | 5,110* | 54.8 | 5,200* | 56.2 | 5,230* |
| | 180 | 50.5 | 4,600* | 52.1 | 4,680* | 53.4 | 4,710* |
| 190 | 47.6 | 4,070* | 49.2 | 4,160* | 50.5 | 4,230* | |
| 200 | 44.7 | 3,550* | 46.2 | 3,670* | 47.4 | 3,750* | |
| 210 | 41.5 | 3,040* | 43.0 | 3,160* | 44.2 | 3,250* | |
| 220 | 38.2 | 2,520* | 39.6 | 2,660* | 40.7 | 2,740* | |
| 50' (15.2M) JIB & 230' (70.1M) BOOM | 52 | 81.0 | 11,860* | | | | |
| | 60 | 79.3 | 11,090* | | | | |
| | 70 | 77.2 | 10,190* | 78.9 | 9,760* | 80.5 | 9,190* |
| | 80 | 76.1 | 9,370* | 76.8 | 9,050* | 78.4 | 8,650* |
| | 90 | 73.0 | 8,580* | 74.7 | 8,380* | 76.2 | 8,110* |
| | 100 | 70.9 | 7,840* | 72.5 | 7,710* | 74.1 | 7,510* |
| | 110 | 68.7 | 7,140* | 70.3 | 7,090* | 71.9 | 6,950* |
| | 120 | 66.5 | 6,600* | 68.1 | 6,490* | 69.6 | 6,420* |
| | 130 | 64.2 | 5,890* | 65.9 | 5,920* | 67.3 | 5,870* |
| | 140 | 61.9 | 5,310* | 63.5 | 5,350* | 65.0 | 5,360* |
| | 150 | 59.6 | 4,760* | 61.2 | 4,820* | 62.6 | 4,860* |
| | 160 | 57.2 | 4,240* | 58.8 | 4,330* | 60.1 | 4,380* |
| | 170 | 54.7 | 3,720* | 56.3 | 3,830* | 57.6 | 3,910* |
| | 180 | 52.1 | 3,240* | 53.7 | 3,350* | 55.0 | 3,440* |
| 190 | 49.5 | 2,760* | 51.0 | 2,890* | 52.3 | 2,980* | |
| 200 | 46.7 | 2,300* | 48.2 | 2,440* | 49.4 | 2,540* | |
| 210 | 43.8 | 1,850* | 45.3 | 1,990* | 46.4 | 2,090* | |
| 220 | 40.7 | 1,390* | 42.2 | 1,530* | 43.3 | 1,640* | |
| 230 | 37.4 | 930* | 38.8 | 1,080* | 39.9 | 1,180* | |
| 50' (15.2M) JIB & 240' (73.2M) BOOM | 54 | 80.9 | 10,010* | | | | |
| | 60 | 79.7 | 9,470* | | | | |
| | 70 | 77.7 | 8,568* | 79.3 | 8,260* | 80.9 | 7,880* |
| | 80 | 75.7 | 7,770* | 77.3 | 7,570* | 78.8 | 7,310* |
| | 90 | 73.6 | 7,010* | 75.2 | 6,910* | 76.7 | 6,740* |
| | 100 | 71.6 | 6,320* | 73.2 | 6,260* | 74.6 | 6,180* |
| | 110 | 69.5 | 5,640* | 71.1 | 5,650* | 72.5 | 5,640* |
| | 120 | 67.3 | 5,050* | 68.9 | 5,090* | 70.4 | 5,090* |
| | 130 | 65.2 | 4,450* | 66.8 | 4,540* | 68.2 | 4,570* |
| | 140 | 63.0 | 3,910* | 64.5 | 4,030* | 65.9 | 4,080* |
| | 150 | 60.7 | 3,390* | 62.3 | 3,520* | 63.7 | 3,590* |
| | 160 | 58.4 | 2,900* | 60.0 | 3,040* | 61.3 | 3,130* |
| | 170 | 56.1 | 2,440* | 57.6 | 2,580* | 58.9 | 2,690* |
| | 180 | 53.7 | 1,980* | 55.2 | 2,130* | 56.4 | 2,250* |
| 190 | 51.2 | 1,550* | 52.6 | 1,710* | 53.9 | 1,820* | |
| 200 | 48.6 | 1,130* | 50.0 | 1,290* | 51.2 | 1,410* | |
| 210 | 45.8 | 710* | 47.3 | 880* | 48.4 | 1,000* | |
| 50' (15.2M) JIB & 250' (76.2M) BOOM | 56 | 80.8 | 8,340* | | | | |
| | 60 | 80.0 | 7,970* | | | | |
| | 70 | 78.1 | 7,130* | 79.7 | 6,940* | 79.2 | 6,120* |
| | 80 | 76.2 | 6,320* | 77.7 | 6,250* | 77.2 | 5,530* |
| | 90 | 74.2 | 5,590* | 75.7 | 5,590* | 75.2 | 4,970* |
| | 100 | 72.2 | 4,910* | 73.7 | 4,960* | 73.1 | 4,420* |
| | 110 | 70.2 | 4,280* | 71.7 | 4,380* | 71.1 | 3,890* |
| | 120 | 68.1 | 3,700* | 69.7 | 3,810* | 69.0 | 3,390* |
| | 130 | 66.1 | 3,150* | 67.6 | 3,280* | 66.8 | 2,910* |
| | 140 | 64.0 | 2,630* | 65.5 | 2,790* | 64.6 | 2,440* |
| | 150 | 61.8 | 2,150* | 63.3 | 2,310* | 62.4 | 2,000* |
| | 160 | 59.6 | 1,680* | 61.1 | 1,860* | 60.1 | 1,560* |
| | 170 | 57.4 | 1,240* | 58.8 | 1,430* | 57.8 | 1,150* |
| | 180 | 55.1 | 820* | 56.5 | 1,010* | | |

**LIFT RATINGS IN POUNDS (continued)**

With 59H Open Throat Boom, with 24' Floating Mast and 70,000 Pound Counterweight, #9HL Jib

| Boom and Jib Length | Jib Radius (Feet) | 5.0 Deg Offset | | 15.0 Deg Offset | | 25.0 Deg Offset | |
|-------------------------------------|-------------------|----------------|------------------|-----------------|------------------|-----------------|------------------|
| | | Boom Angle | Ratings (Pounds) | Boom Angle | Ratings (Pounds) | Boom Angle | Ratings (Pounds) |
| 60' (18.3M) JIB & 150' (45.7M) BOOM | 42 | 80.9 | 15,340* | | | | |
| | 50 | 78.7 | 14,920* | | | | |
| | 60 | 76.0 | 14,340* | 78.7 | 12,930* | | |
| | 70 | 73.1 | 13,790* | 75.8 | 12,500* | 78.4 | 11,310* |
| | 80 | 70.3 | 13,300* | 72.9 | 12,010* | 75.4 | 10,960* |
| | 90 | 67.3 | 12,800* | 70.0 | 11,600* | 72.4 | 10,670* |
| | 100 | 64.3 | 12,250* | 67.0 | 11,210* | 69.4 | 10,350* |
| | 110 | 61.2 | 11,800* | 63.9 | 10,860* | 66.2 | 10,120* |
| | 120 | 58.1 | 11,350* | 60.7 | 10,500* | 62.9 | 9,890* |
| | 130 | 54.8 | 10,960* | 57.3 | 10,220* | 59.6 | 9,710* |
| 140 | 51.3 | 10,610* | 53.8 | 10,010* | 56.0 | 9,540* | |
| 150 | 47.7 | 10,310* | 50.2 | 9,780* | 52.2 | 9,380* | |
| 60' (18.3M) JIB & 160' (48.8M) BOOM | 44 | 80.8 | 15,260* | | | | |
| | 50 | 79.3 | 14,930* | | | | |
| | 60 | 76.6 | 14,420* | 79.2 | 12,930* | | |
| | 70 | 73.9 | 13,900* | 76.5 | 12,610* | 78.9 | 11,400* |
| | 80 | 71.2 | 13,430* | 73.7 | 12,160* | 76.1 | 11,050* |
| | 90 | 68.4 | 12,990* | 71.0 | 11,700* | 73.3 | 10,700* |
| | 100 | 65.6 | 12,480* | 68.1 | 11,330* | 70.4 | 10,450* |
| | 110 | 62.7 | 12,000* | 65.2 | 10,980* | 67.4 | 10,170* |
| | 120 | 59.7 | 11,550* | 62.2 | 10,630* | 64.4 | 9,950* |
| | 130 | 56.6 | 11,190* | 59.0 | 10,370* | 61.2 | 9,750* |
| 140 | 53.4 | 10,830* | 55.8 | 10,130* | 57.9 | 9,600* | |
| 150 | 50.0 | 10,490* | 52.4 | 9,880* | 54.6 | 9,470* | |
| 160 | 46.5 | 10,220* | 48.9 | 9,710* | 50.8 | 9,350* | |
| 60' (18.3M) JIB & 170' (51.8M) BOOM | 45 | 81.0 | 15,250* | | | | |
| | 50 | 79.7 | 15,010* | | | | |
| | 60 | 77.2 | 14,490* | 79.7 | 12,930* | | |
| | 70 | 74.6 | 14,000* | 77.1 | 12,610* | 79.4 | 11,450* |
| | 80 | 72.0 | 13,550* | 74.5 | 12,250* | 76.8 | 11,100* |
| | 90 | 69.4 | 13,120* | 71.8 | 11,810* | 74.1 | 10,780* |
| | 100 | 66.7 | 12,660* | 69.1 | 11,440* | 71.3 | 10,490* |
| | 110 | 64.0 | 12,190* | 66.4 | 11,090* | 68.5 | 10,280* |
| | 120 | 61.1 | 11,750* | 63.5 | 10,760* | 65.6 | 10,050* |
| | 130 | 58.2 | 11,350* | 60.6 | 10,500* | 62.7 | 9,830* |
| 140 | 55.2 | 11,010* | 57.6 | 10,240* | 59.6 | 9,690* | |
| 150 | 52.1 | 10,690* | 54.4 | 10,020* | 56.4 | 9,530* | |
| 160 | 48.9 | 10,400* | 51.1 | 9,820* | 53.0 | 9,400* | |
| 170 | 45.4 | 9,990 | 47.6 | 9,620* | 49.5 | 9,310* | |
| 60' (18.3M) JIB & 180' (54.9M) BOOM | 47 | 80.9 | 15,170* | | | | |
| | 50 | 80.2 | 14,960* | | | | |
| | 60 | 77.7 | 14,510* | 80.1 | 12,940* | | |
| | 70 | 75.3 | 14,080* | 77.7 | 12,620* | 79.9 | 11,500* |
| | 80 | 72.8 | 13,610* | 75.2 | 12,320* | 77.4 | 11,150* |
| | 90 | 70.3 | 13,190* | 72.6 | 11,910* | 74.8 | 10,840* |
| | 100 | 67.7 | 12,800* | 70.1 | 11,560* | 72.2 | 10,590* |
| | 110 | 65.1 | 12,370* | 67.4 | 11,230* | 69.5 | 10,330* |
| | 120 | 62.5 | 11,950* | 64.7 | 10,880* | 66.8 | 10,110* |
| | 130 | 59.7 | 11,550* | 62.0 | 10,620* | 64.0 | 9,890* |
| 140 | 56.9 | 11,170* | 59.1 | 10,330* | 61.1 | 9,750* | |
| 150 | 54.0 | 10,870* | 56.2 | 10,130* | 58.1 | 9,580* | |
| 160 | 50.9 | 10,560* | 53.1 | 9,900* | 55.0 | 9,430* | |
| 170 | 47.8 | 9,710 | 49.9 | 9,710 | 51.7 | 9,330* | |
| 180 | 44.4 | 8,810 | 46.5 | 8,820 | 48.2 | 8,820 | |
| 60' (18.3M) JIB & 190' (57.9M) BOOM | 49 | 80.8 | 15,010* | | | | |
| | 50 | 80.6 | 14,990* | | | | |
| | 60 | 78.2 | 14,530* | 80.5 | 12,950* | | |
| | 70 | 75.9 | 14,100* | 78.2 | 12,630* | 80.3 | 11,460* |
| | 80 | 73.5 | 13,670* | 75.8 | 12,390* | 77.9 | 11,200* |
| | 90 | 71.1 | 13,260* | 73.4 | 12,020* | 75.4 | 10,890* |
| | 100 | 68.7 | 12,930* | 70.9 | 11,670* | 73.0 | 10,630* |
| | 110 | 66.2 | 12,560* | 68.4 | 11,300* | 70.4 | 10,390* |
| | 120 | 63.6 | 12,140* | 65.8 | 10,990* | 67.8 | 10,190* |
| | 130 | 61.1 | 11,710* | 63.2 | 10,700* | 65.2 | 10,000* |
| 140 | 58.4 | 11,370* | 60.5 | 10,460* | 62.4 | 9,790* | |
| 150 | 55.6 | 11,040* | 57.8 | 10,230* | 59.6 | 9,660* | |
| 160 | 52.8 | 10,480 | 54.9 | 10,010* | 56.7 | 9,490* | |
| 170 | 49.8 | 9,450 | 51.9 | 9,450 | 53.7 | 9,390* | |
| 180 | 46.7 | 8,550 | 48.8 | 8,560 | 50.5 | 8,560 | |
| 190 | 43.4 | 7,750 | 45.4 | 7,750 | 47.1 | 7,760 | |

| Boom and Jib Length | Jib Radius (Feet) | 5.0 Deg Offset | | 15.0 Deg Offset | | 25.0 Deg Offset | |
|-------------------------------------|-------------------|----------------|------------------|-----------------|------------------|-----------------|------------------|
| | | Boom Angle | Ratings (Pounds) | Boom Angle | Ratings (Pounds) | Boom Angle | Ratings (Pounds) |
| 60' (18.3M) JIB & 200' (61.0M) BOOM | 50 | 80.9 | 14,950* | | | | |
| | 60 | 78.7 | 14,550* | 80.9 | 12,910* | | |
| | 70 | 76.4 | 14,120* | 78.6 | 12,650* | 80.7 | 11,080* |
| | 80 | 74.2 | 13,700* | 76.3 | 12,340* | 78.4 | 11,080* |
| | 90 | 71.9 | 13,330* | 74.0 | 12,080* | 76.0 | 10,950* |
| | 100 | 69.5 | 12,950* | 71.7 | 11,780* | 73.7 | 10,720* |
| | 110 | 67.2 | 12,160* | 69.3 | 11,420* | 71.2 | 10,440* |
| | 120 | 64.7 | 11,410* | 66.9 | 11,060* | 68.8 | 10,250* |
| | 130 | 62.3 | 10,720* | 64.4 | 10,400* | 66.3 | 10,060* |
| | 140 | 59.7 | 10,040* | 61.8 | 9,800* | 63.7 | 9,520* |
| 150 | 57.1 | 9,350* | 59.2 | 9,220* | 61.0 | 9,010* | |
| 160 | 54.5 | 8,730* | 56.5 | 8,630* | 58.3 | 8,480* | |
| 170 | 51.7 | 8,100* | 53.7 | 8,050* | 55.4 | 7,960* | |
| 180 | 48.8 | 7,490* | 50.8 | 7,490* | 52.4 | 7,460* | |
| 190 | 45.7 | 6,890* | 47.7 | 6,910* | 49.3 | 6,890* | |
| 200 | 42.5 | 6,300* | 44.5 | 6,350* | 46.0 | 6,370* | |
| 60' (18.3M) JIB & 210' (64.0M) BOOM | 52 | 80.8 | 14,860* | | | | |
| | 60 | 79.1 | 14,320* | | | | |
| | 70 | 76.9 | 13,420* | 79.1 | 12,390* | | |
| | 80 | 74.8 | 12,590* | 76.9 | 11,760* | 78.8 | 10,940* |
| | 90 | 72.6 | 11,730* | 74.6 | 11,150* | 76.6 | 10,480* |
| | 100 | 70.3 | 10,960* | 72.4 | 10,490* | 74.3 | 9,980* |
| | 110 | 68.0 | 10,220* | 70.1 | 9,870* | 72.0 | 9,450* |
| | 120 | 65.7 | 9,560* | 67.8 | 9,290* | 69.6 | 8,970* |
| | 130 | 63.4 | 8,870* | 65.4 | 8,670* | 67.2 | 8,430* |
| | 140 | 61.0 | 8,230* | 63.0 | 8,100* | 64.8 | 7,930* |
| 150 | 58.5 | 7,640* | 60.5 | 7,560* | 62.3 | 7,440* | |
| 160 | 56.0 | 7,040* | 57.9 | 7,010* | 59.7 | 6,950* | |
| 170 | 53.3 | 6,480* | 55.3 | 6,490* | 57.0 | 6,440* | |
| 180 | 50.6 | 5,940* | 52.6 | 5,990* | 54.2 | 5,950* | |
| 190 | 47.8 | 5,390* | 49.7 | 5,470* | 51.3 | 5,490* | |
| 200 | 44.8 | 4,870* | 46.7 | 4,970* | 48.2 | 5,000* | |
| 210 | 41.7 | 4,350* | 43.5 | 4,440* | 45.0 | 4,500* | |
| 60' (18.3M) JIB & 220' (67.1M) BOOM | 53 | 81.0 | 13,010* | | | | |
| | 60 | 79.5 | 12,400* | | | | |
| | 70 | 77.4 | 11,520* | 79.5 | 10,720* | | |
| | 80 | 75.3 | 10,670* | 77.3 | 10,090* | 79.2 | 9,410* |
| | 90 | 73.2 | 9,910* | 76.2 | 9,450* | 77.1 | 8,940* |
| | 100 | 71.0 | 9,190* | 73.1 | 8,860* | 74.9 | 8,450* |
| | 110 | 68.9 | 8,480* | 70.9 | 8,260* | 72.7 | 7,940* |
| | 120 | 66.7 | 7,820* | 68.6 | 7,670* | 70.4 | 7,460* |
| | 130 | 64.4 | 7,200* | 66.4 | 7,090* | 68.1 | 6,960* |
| | 140 | 62.1 | 6,620* | 64.1 | 6,570* | 65.8 | 6,460* |
| 150 | 59.8 | 6,070* | 61.7 | 6,050* | 63.4 | 5,980* | |
| 160 | 57.3 | 5,520* | 59.3 | 5,540* | 60.9 | 5,540* | |
| 170 | 54.9 | 4,980* | 56.8 | 5,060* | 58.4 | 5,060* | |
| 180 | 52.3 | 4,500* | 54.2 | 4,580* | 55.8 | 4,610* | |
| 190 | 49.6 | 4,020* | 51.5 | 4,110* | 53.0 | 4,160* | |
| 200 | 46.9 | 3,540* | 48.7 | 3,650* | 50.2 | 3,720* | |
| 210 | 44.0 | 3,070* | 45.8 | 3,190* | 47.2 | 3,280* | |
| 220 | 40.9 | 2,580* | 42.7 | 2,730* | 44.0 | 2,820* | |
| 60' (18.3M) JIB & 230' (70.1M) BOOM | 55 | 80.9 | 11,090* | | | | |
| | 60 | 79.9 | 10,690* | | | | |
| | 70 | 77.9 | 9,830* | 79.8 | 9,230* | | |
| | 80 | 75.8 | 9,010* | 77.8 | 8,590* | 79.6 | 8,090* |
| | 90 | 73.8 | 8,260* | 75.7 | 7,970* | 77.6 | 7,610* |
| | 100 | 71.7 | 7,550* | 73.7 | 7,370* | 75.5 | 7,120* |
| | 110 | 69.6 | 6,910* | 71.6 | 6,780* | 73.3 | 6,600* |
| | 120 | 67.5 | 6,280* | 69.4 | 6,230* | 71.2 | 6,100* |
| | 130 | 65.3 | 5,690* | 67.2 | 5,690* | 69.0 | 5,630* |
| | 140 | 63.1 | 5,160* | 65.0 | 5,190* | 66.7 | 5,160* |
| 150 | 60.9 | 4,630* | 62.8 | 4,680* | 64.4 | 4,680* | |
| 160 | 58.6 | 4,120* | 60.5 | 4,210* | 62.1 | 4,240* | |
| 170 | 56.3 | 3,650* | 58.1 | 3,760* | 59.7 | 3,810* | |
| 180 | 53.8 | 3,180* | 55.6 | 3,300* | 57.2 | 3,390* | |
| 190 | 51.3 | 2,740* | 53.1 | 2,870* | 54.6 | 2,970* | |
| 200 | 48.7 | 2,310* | 50.5 | 2,460* | 52.0 | 2,560* | |
| 210 | 46.0 | 1,880* | 47.8 | 2,030* | 49.2 | 2,150* | |
| 220 | 43.2 | 1,460* | 44.9 | 1,620* | 46.2 | 1,740* | |
| 230 | 40.1 | 1,040* | 41.8 | 1,210* | 43.1 | 1,320* | |

**LIFT RATINGS IN POUNDS (continued)****With 59H Open Throat Boom, with 24' Floating Mast and 70,000 Pound Counterweight, #9HL Jib**

| Boom and Jib Length | Jib Radius (Feet) | 5.0 Deg Offset | | 15.0 Deg Offset | | 25.0 Deg Offset | |
|-------------------------------------|-------------------|----------------|------------------|-----------------|------------------|-----------------|------------------|
| | | Boom Angle | Ratings (Pounds) | Boom Angle | Ratings (Pounds) | Boom Angle | Ratings (Pounds) |
| 60' (18.3M) JIB & 240' (73.2M) BOOM | 56 | 81.0 | 9,460* | | | | |
| | 60 | 80.2 | 9,100* | | | | |
| | 70 | 78.3 | 8,270* | 80.2 | 7,870* | | |
| | 80 | 76.3 | 7,500* | 78.2 | 7,220* | 80.0 | 6,860* |
| | 90 | 74.3 | 6,770* | 76.2 | 6,620* | 78.0 | 6,380* |
| | 100 | 72.4 | 6,100* | 74.2 | 6,000* | 76.0 | 5,880* |
| | 110 | 70.3 | 5,470* | 72.2 | 5,440* | 73.9 | 5,370* |
| | 120 | 68.3 | 4,860* | 70.1 | 4,900* | 71.8 | 4,890* |
| | 130 | 66.2 | 4,330* | 68.1 | 4,390* | 69.7 | 4,410* |
| | 140 | 64.1 | 3,800* | 65.9 | 3,900* | 67.6 | 3,940* |
| | 150 | 62.0 | 3,300* | 63.8 | 3,420* | 65.4 | 3,490* |
| | 160 | 59.8 | 2,830* | 61.6 | 2,980* | 63.2 | 3,070* |
| 170 | 57.5 | 2,390* | 59.3 | 2,550* | 60.9 | 2,650* | |
| 180 | 55.2 | 1,970* | 57.0 | 2,130* | 58.5 | 2,250* | |
| 190 | 52.8 | 1,550* | 54.6 | 1,730* | 56.1 | 1,850* | |
| 200 | 50.4 | 1,160* | 52.1 | 1,340* | 53.6 | 1,460* | |
| 210 | 47.8 | 770* | 49.5 | 950* | 50.9 | 1,090* | |
| 60' (18.3M) JIB & 250' (76.2M) BOOM | 58 | 80.9 | 7,880* | | | | |
| | 60 | 80.5 | 7,690* | | | | |
| | 70 | 78.7 | 6,880* | 80.5 | 6,640* | | |
| | 80 | 76.8 | 6,100* | 78.6 | 5,980* | 80.3 | 5,760* |
| | 90 | 74.9 | 5,420* | 76.7 | 5,380* | 78.4 | 5,260* |
| | 100 | 72.9 | 4,750* | 74.8 | 4,790* | 76.4 | 4,740* |
| | 110 | 71.0 | 4,160* | 72.8 | 4,230* | 74.6 | 4,230* |
| | 120 | 69.0 | 3,590* | 70.8 | 3,690* | 72.5 | 3,740* |
| | 130 | 67.0 | 3,060* | 68.8 | 3,210* | 70.4 | 3,290* |
| | 140 | 65.0 | 2,560* | 66.8 | 2,730* | 68.4 | 2,830* |
| | 150 | 62.9 | 2,100* | 64.7 | 2,280* | 66.3 | 2,400* |
| | 160 | 60.8 | 1,650* | 62.6 | 1,840* | 64.1 | 1,980* |
| 170 | 58.7 | 1,230* | 60.4 | 1,430* | 62.0 | 1,580* | |
| 180 | 56.5 | 830* | 58.2 | 1,040* | 59.7 | 1,200* | |
| 70' (21.3M) JIB & 180' (54.9M) BOOM | 49 | 81.0 | 11,890* | | | | |
| | 50 | 80.8 | 11,840* | | | | |
| | 60 | 78.4 | 11,420* | | | | |
| | 70 | 76.1 | 10,950* | 78.7 | 9,540* | | |
| | 80 | 73.7 | 10,530* | 76.4 | 9,160* | 78.9 | 8,180* |
| | 90 | 71.3 | 10,020* | 73.9 | 8,840* | 76.4 | 7,920* |
| | 100 | 68.9 | 9,610* | 71.5 | 8,510* | 73.9 | 7,690* |
| | 110 | 66.4 | 9,180* | 69.0 | 8,200* | 71.4 | 7,480* |
| | 120 | 63.8 | 8,840* | 66.4 | 7,950* | 68.8 | 7,290* |
| | 130 | 61.2 | 8,510* | 63.8 | 7,710* | 66.1 | 7,120* |
| | 140 | 58.6 | 8,220* | 61.1 | 7,520* | 63.4 | 6,970* |
| | 150 | 55.8 | 7,950* | 58.3 | 7,310* | 60.5 | 6,820* |
| 160 | 53.0 | 7,690* | 55.5 | 7,110* | 57.6 | 6,700* | |
| 170 | 50.0 | 7,470* | 52.5 | 6,950* | 54.6 | 6,590* | |
| 180 | 46.9 | 7,260* | 49.3 | 6,820* | 51.3 | 6,520* | |
| 70' (21.3M) JIB & 190' (57.9M) BOOM | 51 | 80.9 | 11,840* | | | | |
| | 60 | 78.9 | 11,430* | | | | |
| | 70 | 76.6 | 11,010* | 79.2 | 9,630* | | |
| | 80 | 74.4 | 10,650* | 76.9 | 9,260* | 79.3 | 8,210* |
| | 90 | 72.1 | 10,170* | 74.6 | 8,880* | 77.0 | 7,960* |
| | 100 | 69.7 | 9,740* | 72.2 | 8,600* | 74.6 | 7,730* |
| | 110 | 67.3 | 9,330* | 69.8 | 8,320* | 72.1 | 7,520* |
| | 120 | 64.9 | 8,980* | 67.4 | 8,050* | 69.7 | 7,320* |
| | 130 | 62.5 | 8,660* | 64.9 | 7,790* | 67.1 | 7,160* |
| | 140 | 59.9 | 8,360* | 62.4 | 7,600* | 64.6 | 7,020* |
| | 150 | 57.3 | 8,060* | 59.7 | 7,370* | 61.9 | 6,870* |
| | 160 | 54.6 | 7,810* | 57.0 | 7,210* | 59.1 | 6,750* |
| 170 | 51.9 | 7,579* | 54.2 | 7,060* | 56.3 | 6,660* | |
| 180 | 49.0 | 7,360* | 51.3 | 6,890* | 53.3 | 6,570* | |
| 190 | 46.9 | 7,180* | 48.2 | 6,780* | 50.1 | 6,480* | |
| 70' (21.3M) JIB & 200' (61.0M) BOOM | 53 | 80.8 | 11,740* | | | | |
| | 60 | 79.3 | 11,480* | | | | |
| | 70 | 77.1 | 11,080* | 79.6 | 9,680* | | |
| | 80 | 74.9 | 10,720* | 77.4 | 9,310* | 79.7 | 8,250* |
| | 90 | 72.7 | 10,310* | 75.2 | 8,960* | 77.6 | 8,000* |
| | 100 | 70.5 | 9,840* | 72.9 | 8,640* | 75.2 | 7,760* |
| | 110 | 68.2 | 9,460* | 70.6 | 8,400* | 72.9 | 7,560* |
| | 120 | 65.9 | 9,110* | 68.3 | 8,140* | 70.5 | 7,400* |
| | 130 | 63.6 | 8,760* | 65.9 | 7,880* | 68.1 | 7,230* |
| | 140 | 61.2 | 8,460* | 63.5 | 7,680* | 65.6 | 7,070* |
| | 150 | 58.7 | 8,190* | 61.0 | 7,470* | 63.1 | 6,940* |
| | 160 | 56.1 | 7,930* | 58.5 | 7,280* | 60.5 | 6,800* |
| 170 | 53.5 | 7,720* | 55.8 | 7,120* | 57.8 | 6,690* | |
| 70' (con't) | 180 | 50.8 | 7,250* | | | | |
| | 190 | 48.0 | 6,690* | 53.1 | 6,970* | 55.0 | 6,610* |
| | 200 | 45.0 | 6,150* | 47.2 | 6,170* | 49.0 | 6,160* |
| 70' (21.3M) JIB & 210' (64.0M) BOOM | 54 | 80.9 | 11,710* | | | | |
| | 60 | 79.7 | 11,500* | | | | |
| | 70 | 77.6 | 11,090* | 80.0 | 9,730* | | |
| | 80 | 75.5 | 10,740* | 77.9 | 9,360* | 80.1 | 8,260* |
| | 90 | 73.4 | 10,410* | 75.7 | 9,040* | 77.9 | 8,050* |
| | 100 | 71.2 | 9,990* | 73.6 | 8,730* | 75.8 | 7,800* |
| | 110 | 69.0 | 9,600* | 71.4 | 8,440* | 73.5 | 7,600* |
| | 120 | 66.8 | 9,130* | 69.1 | 8,190* | 71.3 | 7,430* |
| | 130 | 64.6 | 8,520* | 66.9 | 7,960* | 69.0 | 7,260* |
| | 140 | 62.3 | 7,910* | 64.6 | 7,730* | 66.6 | 7,110* |
| | 150 | 59.9 | 7,340* | 62.2 | 7,220* | 64.2 | 6,980* |
| | 160 | 57.5 | 6,800* | 59.8 | 6,740* | 61.7 | 6,580* |
| 170 | 55.0 | 6,270* | 57.3 | 6,250* | 59.2 | 6,140* | |
| 180 | 52.5 | 5,740* | 54.7 | 5,760* | 56.6 | 6,710* | |
| 190 | 49.8 | 5,260* | 52.0 | 5,310* | 53.8 | 5,280* | |
| 200 | 47.1 | 4,770* | 49.2 | 4,820* | 51.0 | 4,850* | |
| 210 | 44.1 | 4,280* | 46.3 | 4,370* | 48.0 | 4,400* | |
| 70' (21.3M) JIB & 220' (67.1M) BOOM | 56 | 80.8 | 11,620* | | | | |
| | 60 | 80.0 | 11,470* | | | | |
| | 70 | 78.0 | 11,010* | 80.3 | 9,740* | | |
| | 80 | 76.0 | 10,220* | 78.3 | 9,420* | 80.5 | 8,300* |
| | 90 | 74.0 | 9,500* | 76.2 | 8,940* | 78.4 | 8,060* |
| | 100 | 71.9 | 8,770* | 74.2 | 8,390* | 76.3 | 7,840* |
| | 110 | 69.8 | 8,140* | 72.1 | 7,840* | 74.1 | 7,430* |
| | 120 | 67.7 | 7,510* | 69.9 | 7,280* | 72.0 | 7,010* |
| | 130 | 65.6 | 6,910* | 67.7 | 6,770* | 69.8 | 6,560* |
| | 140 | 63.3 | 6,360* | 65.5 | 6,270* | 67.5 | 6,120* |
| | 150 | 61.1 | 5,820* | 63.3 | 5,800* | 65.2 | 5,700* |
| | 160 | 58.8 | 5,320* | 61.0 | 5,310* | 62.9 | 5,270* |
| 170 | 56.4 | 4,820* | 58.6 | 4,870* | 60.5 | 4,840* | |
| 180 | 54.0 | 4,360* | 56.1 | 4,420* | 58.0 | 4,430* | |
| 190 | 51.5 | 3,900* | 53.6 | 3,990* | 55.4 | 4,030* | |
| 200 | 48.9 | 3,450* | 51.0 | 3,570* | 52.7 | 3,620* | |
| 210 | 46.2 | 3,030* | 48.2 | 3,150* | 49.9 | 3,230* | |
| 220 | 43.3 | 2,590* | 45.4 | 2,740* | 47.0 | 2,820* | |
| 70' (21.3M) JIB & 230' (70.1M) BOOM | 57 | 81.0 | 10,490* | | | | |
| | 60 | 80.4 | 10,240* | | | | |
| | 70 | 78.4 | 9,400* | 80.7 | 8,660* | | |
| | 80 | 76.5 | 8,630* | 78.7 | 8,100* | 80.8 | 7,470* |
| | 90 | 74.5 | 7,940* | 76.7 | 7,540* | 78.8 | 7,060* |
| | 100 | 72.5 | 7,260* | 74.7 | 7,000* | 76.8 | 6,640* |
| | 110 | 70.6 | 6,610* | 72.7 | 6,440* | 74.7 | 6,190* |
| | 120 | 68.5 | 6,040* | 70.6 | 5,920* | 72.6 | 5,750* |
| | 130 | 66.4 | 5,470* | 68.5 | 5,430* | 70.5 | 5,330* |
| | 140 | 64.3 | 4,960* | 66.4 | 4,950* | 68.4 | 4,900* |
| | 150 | 62.1 | 4,460* | 64.3 | 4,500* | 66.2 | 4,480* |
| | 160 | 59.9 | 3,990* | 62.0 | 4,050* | 63.9 | 4,060* |
| 170 | 57.7 | 3,530* | 59.8 | 3,630* | 61.6 | 3,660* | |
| 180 | 55.4 | 3,090* | 57.6 | 3,220* | 59.3 | 3,270* | |
| 190 | 53.0 | 2,680* | 55.1 | 2,800* | 56.8 | 2,890* | |
| 200 | 50.6 | 2,260* | 52.6 | 2,410* | 54.3 | 2,510* | |
| 210 | 48.0 | 1,870* | 50.0 | 2,040* | 51.7 | 2,140* | |
| 220 | 45.3 | 1,480* | 47.3 | 1,650* | 48.9 | 1,770* | |
| 230 | 42.5 | 1,090* | 44.5 | 1,270* | 46.0 | 1,400* | |
| 70' (21.3M) JIB & 240' (73.2M) BOOM | 59 | 80.9 | 8,830* | | | | |
| | 60 | 80.7 | 8,720* | | | | |
| | 70 | 78.8 | 7,940* | 81.0 | 7,430* | | |
| | 80 | 76.9 | 7,200* | 79.1 | 6,840* | | |
| | 90 | 75.0 | 6,500* | 77.2 | 6,270* | 79.2 | 5,940* |
| | 100 | 73.1 | 5,850* | 75.2 | 5,720* | 77.2 | 5,510* |
| | 110 | 71.2 | 5,240* | 73.3 | 5,180* | 75.2 | 5,070* |
| | 120 | 69.2 | 4,680* | 71.3 | 4,680* | 73.2 | 4,620* |
| | 130 | 67.2 | 4,160* | 69.3 | 4,200* | 71.2 | 4,190* |
| | 140 | 65.2 | 3,660* | 67.2 | 3,740* | 69.1 | 3,770* |
| | 150 | 63.1 | 3,190* | 65.2 | 3,310* | 67.0 | 3,360* |
| | 160 | 61.0 | 2,750* | 63.1 | 2,880* | 64.9 | 2,960* |
| 170 | 58.9 | 2,310* | 60.9 | 2,480* | 62.7 | 2,570* | |
| 180 | 56.7 | 1,900* | 58.7 | 2,080* | 60.4 | 2,200* | |
| 190 | 54.4 | 1,520* | 55.4 | 1,700* | 58.1 | 1,830* | |
| 200 | 52.1 | 1,150* | 54.1 | 1,340* | 55.7 | 1,470* | |
| 210 | 49.7 | 780* | 51.6 | 980* | 53.3 | 1,120* | |

**LIFT RATINGS IN POUNDS (continued)**

With 59H Open Throat Boom, with 24' Floating Mast and 70,000 Pound Counterweight, #9HL Jib

| Boom and Jib Length | Jib Radius (Feet) | 5.0 Deg Offset | | 15.0 Deg Offset | | 25.0 Deg Offset | |
|-------------------------------------|-------------------|----------------|------------------|-----------------|------------------|-----------------|------------------|
| | | Boom Angle | Ratings (Pounds) | Boom Angle | Ratings (Pounds) | Boom Angle | Ratings (Pounds) |
| 70' (21.3M) JIB & 250' (76.2M) BOOM | 60 | 81.0 | 7,380* | | | | |
| | 70 | 79.2 | 6,590* | | | | |
| | 80 | 77.3 | 5,880* | 79.4 | 5,690* | | |
| | 90 | 75.5 | 5,190* | 77.6 | 5,110* | 79.5 | 4,930* |
| | 100 | 73.6 | 4,570* | 75.7 | 4,560* | 77.6 | 4,470* |
| | 110 | 71.8 | 4,000* | 73.8 | 4,030* | 75.7 | 4,030* |
| | 120 | 69.9 | 3,440* | 71.9 | 3,550* | 73.8 | 3,580* |
| | 130 | 67.9 | 2,940* | 70.0 | 3,080* | 71.8 | 3,140* |
| | 140 | 66.0 | 2,460* | 68.0 | 2,630* | 69.8 | 2,720* |
| | 150 | 64.0 | 2,020* | 66.0 | 2,200* | 67.8 | 2,330* |
| 160 | 62.0 | 1,590* | 64.0 | 1,790* | 65.8 | 1,930* | |
| 170 | 59.9 | 1,200* | 61.9 | 1,400* | 63.7 | 1,560* | |
| 180 | 57.8 | 820* | 59.8 | 1,030* | 61.5 | 1,200* | |
| 80' (24.4M) JIB & 200' (61.0M) BOOM | 55 | 80.9 | 9,570* | | | | |
| | 60 | 79.9 | 9,370* | | | | |
| | 70 | 77.8 | 8,960* | 80.5 | 7,520* | | |
| | 80 | 75.7 | 8,480* | 78.4 | 7,200* | 81.0 | 5,450* |
| | 90 | 73.5 | 8,070* | 76.3 | 6,910* | 78.8 | 5,450* |
| | 100 | 71.4 | 7,700* | 74.1 | 6,660* | 76.6 | 5,450* |
| | 110 | 69.2 | 7,360* | 71.9 | 6,430* | 74.4 | 5,450* |
| | 120 | 67.0 | 7,040* | 69.7 | 6,200* | 72.1 | 5,450* |
| | 130 | 64.8 | 6,780* | 67.4 | 5,980* | 69.8 | 5,420* |
| | 140 | 62.5 | 6,500* | 65.1 | 5,810* | 67.5 | 5,270* |
| 150 | 60.1 | 6,270* | 62.7 | 5,630* | 65.0 | 5,150* | |
| 160 | 57.7 | 6,040* | 60.3 | 5,480* | 62.6 | 5,050* | |
| 170 | 55.2 | 5,850* | 57.8 | 5,340* | 60.0 | 4,930* | |
| 180 | 52.7 | 5,670* | 55.2 | 5,200* | 57.4 | 4,850* | |
| 190 | 50.0 | 5,500* | 52.5 | 5,080* | 54.6 | 4,770* | |
| 200 | 47.2 | 5,340* | 49.7 | 4,970* | 51.8 | 4,710* | |
| 80' (24.4M) JIB & 210' (64.0M) BOOM | 57 | 80.8 | 9,540* | | | | |
| | 60 | 80.2 | 9,420* | | | | |
| | 70 | 78.2 | 9,020* | 80.8 | 7,560* | | |
| | 80 | 76.2 | 8,560* | 78.8 | 7,250* | | |
| | 90 | 74.1 | 8,160* | 76.7 | 6,980* | 79.2 | 6,100* |
| | 100 | 72.1 | 7,810* | 74.7 | 6,720* | 77.1 | 5,920* |
| | 110 | 70.0 | 7,460* | 72.6 | 6,460* | 75.0 | 5,760* |
| | 120 | 67.8 | 7,150* | 70.4 | 6,260* | 72.8 | 5,600* |
| | 130 | 65.7 | 6,860* | 68.2 | 6,060* | 70.6 | 5,450* |
| | 140 | 63.6 | 6,600* | 66.0 | 5,870* | 68.3 | 5,300* |
| 150 | 61.2 | 6,360* | 63.8 | 5,700* | 66.0 | 5,200* | |
| 160 | 58.9 | 6,150* | 61.4 | 5,540* | 63.7 | 5,080* | |
| 170 | 56.6 | 5,960* | 59.1 | 5,400* | 61.3 | 4,970* | |
| 180 | 54.2 | 5,550* | 56.6 | 5,260* | 58.8 | 4,890* | |
| 190 | 51.7 | 5,070* | 54.1 | 5,110* | 56.2 | 4,810* | |
| 200 | 49.1 | 4,630* | 51.5 | 4,680* | 53.5 | 4,660* | |
| 210 | 46.3 | 4,180* | 48.7 | 4,250* | 50.7 | 4,280* | |
| 80' (24.4M) JIB & 220' (67.1M) BOOM | 58 | 80.9 | 9,510* | | | | |
| | 60 | 80.5 | 9,430* | | | | |
| | 70 | 78.6 | 9,080* | | | | |
| | 80 | 76.6 | 8,670* | 79.2 | 7,300* | | |
| | 90 | 74.7 | 8,250* | 77.2 | 7,020* | 79.6 | 6,130* |
| | 100 | 72.7 | 7,890* | 75.2 | 6,780* | 77.6 | 5,960* |
| | 110 | 70.7 | 7,550* | 73.2 | 6,530* | 75.5 | 5,780* |
| | 120 | 68.6 | 7,200* | 71.1 | 6,300* | 73.4 | 5,620* |
| | 130 | 66.6 | 6,820* | 69.0 | 6,120* | 71.3 | 5,480* |
| | 140 | 64.4 | 6,090* | 66.9 | 5,910* | 69.1 | 5,350* |
| 150 | 62.3 | 5,580* | 64.7 | 5,520* | 66.9 | 5,220* | |
| 160 | 60.1 | 5,120* | 62.5 | 5,080* | 64.7 | 4,990* | |
| 170 | 57.9 | 4,660* | 60.3 | 4,670* | 62.4 | 4,600* | |
| 180 | 55.5 | 4,200* | 57.9 | 4,250* | 60.0 | 4,230* | |
| 190 | 53.2 | 3,780* | 55.5 | 3,860* | 57.6 | 3,870* | |
| 200 | 50.7 | 3,370* | 53.1 | 3,460* | 55.0 | 3,510* | |
| 210 | 48.2 | 2,950* | 50.5 | 3,070* | 52.4 | 3,130* | |
| 220 | 45.5 | 2,560* | 47.8 | 2,700* | 49.7 | 2,770* | |

| Boom and Jib Length | Jib Radius (Feet) | 5.0 Deg Offset | | 15.0 Deg Offset | | 25.0 Deg Offset | |
|-------------------------------------|-------------------|----------------|------------------|-----------------|------------------|-----------------|------------------|
| | | Boom Angle | Ratings (Pounds) | Boom Angle | Ratings (Pounds) | Boom Angle | Ratings (Pounds) |
| 80' (24.4M) JIB & 230' (70.1M) BOOM | 60 | 80.8 | 9,450* | | | | |
| | 70 | 79.0 | 9,010* | | | | |
| | 80 | 77.1 | 8,290* | 79.5 | 7,360* | | |
| | 90 | 75.2 | 7,610* | 77.6 | 7,060* | 79.9 | 6,150* |
| | 100 | 73.3 | 6,940* | 75.7 | 6,610* | 78.0 | 5,960* |
| | 110 | 71.3 | 6,350* | 73.7 | 6,110* | 76.0 | 5,790* |
| | 120 | 69.3 | 5,770* | 71.8 | 5,640* | 74.0 | 5,400* |
| | 130 | 67.4 | 5,240* | 69.8 | 5,170* | 72.0 | 5,000* |
| | 140 | 65.3 | 4,760* | 67.7 | 4,720* | 69.9 | 4,620* |
| | 150 | 63.3 | 4,280* | 65.6 | 4,290* | 67.8 | 4,240* |
| 160 | 61.2 | 3,830* | 63.5 | 3,890* | 65.6 | 3,870* | |
| 170 | 59.0 | 3,400* | 61.4 | 3,480* | 63.4 | 3,510* | |
| 180 | 56.8 | 2,980* | 59.1 | 3,090* | 61.2 | 3,140* | |
| 190 | 54.6 | 2,580* | 56.9 | 2,720* | 58.9 | 2,790* | |
| 200 | 52.2 | 2,200* | 54.5 | 2,360* | 56.5 | 2,440* | |
| 210 | 49.8 | 1,830* | 52.1 | 2,000* | 54.0 | 2,100* | |
| 220 | 47.3 | 1,470* | 49.5 | 1,650* | 51.4 | 1,760* | |
| 230 | 44.7 | 1,110* | 46.9 | 1,300* | 48.7 | 1,420* | |
| 80' (24.4M) JIB & 240' (73.2M) BOOM | 61 | 81.0 | 8,300* | | | | |
| | 70 | 79.3 | 7,620* | | | | |
| | 80 | 77.5 | 6,900* | 79.9 | 6,450* | | |
| | 90 | 75.7 | 6,240* | 78.0 | 5,930* | 80.3 | 5,510* |
| | 100 | 73.8 | 5,620* | 76.2 | 5,440* | 78.4 | 5,140* |
| | 110 | 71.9 | 5,040* | 74.3 | 4,930* | 76.5 | 4,750* |
| | 120 | 70.0 | 4,500* | 72.4 | 4,470* | 74.5 | 4,350* |
| | 130 | 68.1 | 3,980* | 70.4 | 4,010* | 72.6 | 3,950* |
| | 140 | 66.1 | 3,510* | 68.5 | 3,590* | 70.6 | 3,570* |
| | 150 | 64.2 | 3,070* | 66.5 | 3,160* | 68.6 | 3,190* |
| 160 | 62.2 | 2,640* | 64.4 | 2,760* | 66.5 | 2,820* | |
| 170 | 60.1 | 2,230* | 62.4 | 2,380* | 64.4 | 2,480* | |
| 180 | 58.0 | 1,840* | 60.2 | 2,020* | 62.2 | 2,130* | |
| 190 | 55.8 | 1,470* | 58.1 | 1,660* | 60.0 | 1,790* | |
| 200 | 53.6 | 1,120* | 55.8 | 1,320* | 57.7 | 1,450* | |
| 210 | 51.3 | 780* | 53.5 | 980* | 55.4 | 1,130* | |
| 80' (24.4M) JIB & 250' (76.2M) BOOM | 63 | 80.9 | 6,860* | | | | |
| | 70 | 79.6 | 6,310* | | | | |
| | 80 | 77.9 | 5,630* | | | | |
| | 90 | 76.1 | 4,990* | 80.2 | 5,380* | | |
| | 100 | 74.3 | 4,390* | 78.4 | 4,850* | 80.6 | 4,590* |
| | 110 | 72.5 | 3,820* | 76.6 | 4,340* | 78.7 | 4,200* |
| | 120 | 70.7 | 3,300* | 74.8 | 3,860* | 76.9 | 3,780* |
| | 130 | 68.8 | 2,820* | 72.9 | 3,390* | 75.0 | 3,380* |
| | 140 | 66.9 | 2,350* | 71.1 | 2,940* | 73.1 | 2,990* |
| | 150 | 65.0 | 1,930* | 69.2 | 2,520* | 71.2 | 2,610* |
| 160 | 63.1 | 1,530* | 67.2 | 2,120* | 69.3 | 2,230* | |
| 170 | 61.1 | 1,150* | 65.3 | 1,730* | 67.3 | 1,870* | |
| 180 | 59.1 | 780* | 63.3 | 1,370* | 65.3 | 1,520* | |
| | | | 61.3 | 1,010* | 63.2 | 1,180* | |



59H OFFSET TIP BOOM COMPOSITION

| Boom Length (Feet) | Boom Sections | | | | |
|--------------------|---------------|----------------|----------------|----------------|---------------|
| | 25' 59H Inner | 10' 59H Center | 20' 59H Center | 40' 59H Center | 25' 59H Outer |
| 50 | 1 | 0 | 0 | 0 | 1 |
| 60 | 1 | 1 | 0 | 0 | 1 |
| 70 | 1 | 0 | 1 | 0 | 1 |
| 80 | 1 | 1 | 1 | 0 | 1 |
| 90 | 1 | 0 | 0 | 1 | 1 |
| 100 | 1 | 1 | 0 | 1 | 1 |
| 110 | 1 | 0 | 1 | 1 | 1 |
| 120 | 1 | 1 | 1 | 1 | 1 |
| 130 | 1 | 0 | 0 | 2 | 1 |
| 140 | 1 | 1 | 0 | 2 | 1 |
| 150 | 1 | 0 | 1 | 2 | 1 |
| 160 | 1 | 1 | 1 | 2 | 1 |
| 170 | 1 | 0 | 0 | 3 | 1 |
| 180 | 1 | 1 | 0 | 3 | 1 |
| 190 | 1 | 0 | 1 | 3 | 1 |
| 200 | 1 | 1 | 1 | 3 | 1 |
| 210 | 1 | 0 | 0 | 4 | 1 |
| 220 | 1 | 1 | 0 | 4 | 1 |
| 230 | 1 | 0 | 1 | 4 | 1 |
| 240 | 1 | 1 | 1 | 4 | 1 |
| 250 | 1 | 2 | 1 | 4 | 1 |

#9HL JIB COMPOSITION CHART

| Boom Length (Feet) | Boom Sections | | | |
|--------------------|---------------|------------|------------|-----------|
| | 20' Inner | 10' Center | 20' Center | 20' Outer |
| 40 | 1 | 0 | 0 | 1 |
| 50 | 1 | 1 | 0 | 1 |
| 60 | 1 | 0 | 1 | 1 |
| 70 | 1 | 1 | 1 | 1 |
| 80 | 1 | 0 | 2 | 1 |

LOAD HOISTING INFORMATION

| 1.000" Diameter EIPS Wire Rope | | | |
|-----------------------------------|-----------------------|----------------------------------|------------------|
| Maximum Lifting Capacity (Pounds) | Minimum Parts of Line | Maximum Hoisting Distance (Feet) | |
| | | Main (Front) | Auxiliary (Rear) |
| 300,000 | 11 | 139 | 139 |
| 295,000 | 10 | 153 | 153 |
| 265,500 | 9 | 170 | 170 |
| 236,000 | 8 | 191 | 191 |
| 206,500 | 7 | 218 | 218 |
| 177,000 | 6 | 255 | 255 |
| 147,500 | 5 | 306 | 306 |
| 118,000 | 4 | 382 | 382 |
| 88,500 | 3 | 510 | 510 |
| 59,000 | 2 | 765 | 765 |
| 29,500 | 1 | 1,530 | 1,530 |

59H OFFSET TIP BOOM MAXIMUM BOOM & JIB SELF-ERECTION DATA

| #9HL JIB | Over The End | | Over The Side | |
|----------|--------------------|-------------------|--------------------|-------------------|
| | Boom Length (Feet) | Jib Length (Feet) | Boom Length (Feet) | Jib Length (Feet) |
| | 250 | 80 | 250 | 80 |

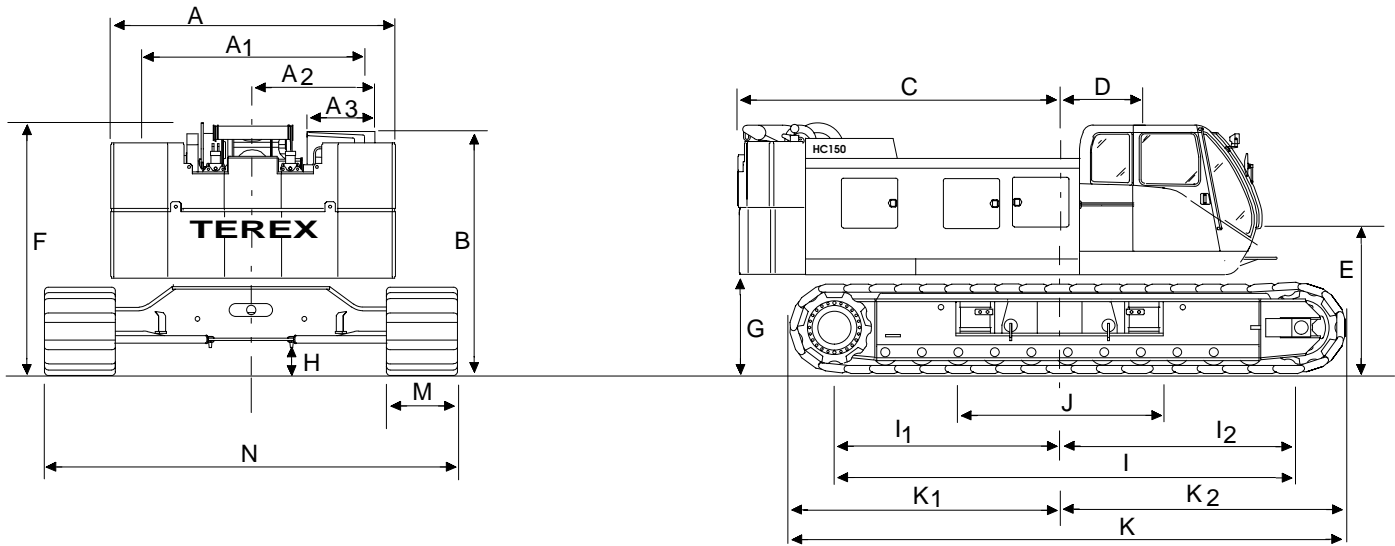
HOIST DRUM PERFORMANCE

| Rope Layer | MAIN & AUXILIARY HOIST – 1" Diameter Rope | | | | FREE FALL | | | | Total Rope Length |
|------------|---|------------------|------------------------------|------------------|------------------------------|------------------|------------------------------|------------------|-------------------|
| | High Range | | | | Low Range | | | | |
| | Standard | | Double Pumped | | Standard | | Double Pumped | | |
| | Line Speed (Feet per Minute) | Single Line Pull | Line Speed (Feet per Minute) | Single Line Pull | Line Speed (Feet per Minute) | Single Line Pull | Line Speed (Feet per Minute) | Single Line Pull | |
| 1st* | 185 | 20,000 | 373 | 20,000 | 90 | 40,000 | 165 | 40,000 | 125 |
| 2nd* | 200 | 17,000 | 400 | 17,000 | 96 | 35,000 | 177 | 35,000 | 260 |
| 3rd* | 214 | 15,500 | 430 | 15,500 | 103 | 31,000 | 190 | 31,000 | 405 |
| 4th* | 227 | 15,450 | 455 | 15,450 | 110 | 30,900 | 201 | 30,900 | 560 |
| 5th* | 241 | 14,550 | 480 | 14,550 | 116 | 29,100 | 214 | 29,100 | 725 |
| 6th* | 255 | 13,800 | 510 | 13,800 | 123 | 27,600 | 226 | 27,600 | 900 |
| 7th* | 270 | 13,100 | 540 | 13,100 | 130 | 26,200 | 238 | 26,200 | 1080 |
| 8th* | 282 | 12,450 | 565 | 12,450 | 136 | 24,900 | 251 | 24,900 | 1,270 |
| 9th** | 296 | 11,850 | 590 | 11,850 | 143 | 23,700 | 262 | 23,700 | 1,475 |
| 10th** | 310 | 11,350 | 620 | 11,350 | 150 | 22,700 | 275 | 22,700 | 1,685 |
| 11th** | | | | | | | | | 1,900 |
| 12th** | | | | | | | | | 2,130 |

* = Working Layers • ** = Storage Layers



AMERICAN MODEL HC 150 GENERAL DIMENSIONS



| | FEET | MM | | FEET | MM |
|----------------|---|--------------|-------|----------------|---|
| A | Width of counterweight | 16'-0" | 4,878 | | |
| A ₁ | Width of machinery cab | 11'-5" | 3,480 | | |
| A ₂ | Centerline of machine to outside of operator's cab | 6'-0" | 1,829 | | |
| B | Height over operator's cab | 12'-0" | 3,658 | | |
| C | Tail swing with WORKHORSE retracted | 16'-5" | 5,004 | | |
| D | Center rotation to boom foot | 3'-6" | 1,066 | | |
| E | Ground to center of boom foot | 6'-8" | 2,032 | | |
| F | Height over boom hoist | 12'-3 9/16" | 3,748 | | |
| G | Ground to bottom of counterweight | 4'-6 3/4" | 1,391 | | |
| H | Minimum ground clearance | 1'-7 1/2" | 495 | | |
| H ₁ | Maximum jacking height w/ transport pkg. No counterweight, no side frames | 3'-7" | 1,092 | | |
| I | Center to center of crawler tumbler | 24'-2 15/16" | 7,390 | I ₁ | Center of drive tumbler to center of rotation |
| | | | | | 11'-9 1/4" |
| | | | | | 3,587 |
| | | | | I ₂ | Center of idler tumbler to center of rotation |
| | | | | | 12'-5 5/8" |
| | | | | | 3,801 |
| | | | | J | Width of carbody (including vertical jacks) |
| | | | | | 10'-10" |
| | | | | | 3,300 |
| | | | | K | Overall length of crawlers |
| | | | | | 28'-2" |
| | | | | | 8,585 |
| | | | | K ₁ | Over drive tumbler to center of rotation ... |
| | | | | | 13'-7 7/8" |
| | | | | | 4,163 |
| | | | | K ₂ | Over idler tumbler to center of rotation .. |
| | | | | | 14'-4 5/16" |
| | | | | | 4,377 |
| | | | | M | Width of tread shoe (standard) |
| | | | | | 44" |
| | | | | | 1,118 |
| | | | | | (optional) |
| | | | | | 50" |
| | | | | | 1,270 |
| | | | | N | Overall width of crawlers |
| | | | | | 44" (1,118mm) shoes |
| | | | | | 22'-4" |
| | | | | | 6,807 |
| | | | | | 50" (1,270mm) shoes |
| | | | | | 22'-10" |
| | | | | | 6,959 |
| | | | | N ₁ | Length of crawler axles |
| | | | | | 19'-4 3/4" |
| | | | | | 5,912 |



CRANE RATING DATA

WARNING

This rating chart is invalid if the crane has been modified or altered by use of other than GENUINE AMERICAN PARTS as such modifications or alterations may affect its capacity or safe operation. See American Crane Cooperation Service Bulletin #259.

The ratings in this chart are for planning purposes only. Only those ratings specifically assigned to a crane and mounted in the operator's cab or in the Operator's Manual should be used for actual operation.

Ratings in this chart are in POUNDS and do not exceed the percentage of tipping specified for this crane by ANSI B30.5. All ratings require that the crane be standing level on a firm uniformly supporting surface.

Do not lift loads in excess of those shown on this chart. Lifting loads in excess of those shown or operation not in accordance with good operating practice, including limitations shown on page 3499 of Operator's Manual, can cause tipping, structural damage or catastrophic failure.

Asterisk (*) areas on this chart indicate ratings which are limited by strength of material or factors other than stability (tipping).

RADIUS IN FEET is the horizontal distance at ground level from the crane centerline of rotation to a vertical line through the center of gravity of the suspended load.

When using the main boom fall with jib in place, the main fall ratings must be reduced by the jib effective weight shown on the jib rating chart plus twice the weight of all suspended blocks, slings, rope, etc., at the jib fall. See Appendix A.

Blocks, slings, buckets and other load carrying devices are considered part of the load. The weight of standard hoisting ropes for the rating at a given radius has been calculated as part of the boom point load and need not be considered in determining net allowable loads. See Appendix A.

Ratings shown on this chart make no allowance for such factors as out of plumb loads, wind, poor soil conditions, improper inflation of rubber tires and dynamic effects due to excessive operating speeds. The user (operator) must exercise judgement to make allowance for these conditions. See page 3499 of Operator's Manual for detailed information.

No account is taken of the wind force on the load. This effect, which can be substantial for loads with large surface areas, must be considered by the user. In any wind it is strongly recommended that taglines be used to control the load.

MAST HOIST LINE is 17 parts of 3/4 inch diameter 6 x 26, WS, FW, RAL, IWRC, EIPS wire rope with a minimum breaking strength of 58,800 pounds.

PENDANT SUSPENSION LINE is 2 parts of 1-3/8 inch diameter EEIPS wire rope with a minimum breaking strength of 211,000 pounds.

MAIN & AUXILIARY LOAD LINE- 1.000 inch diameter EIPS wire rope with a minimum breaking strength of 103,400 pounds.

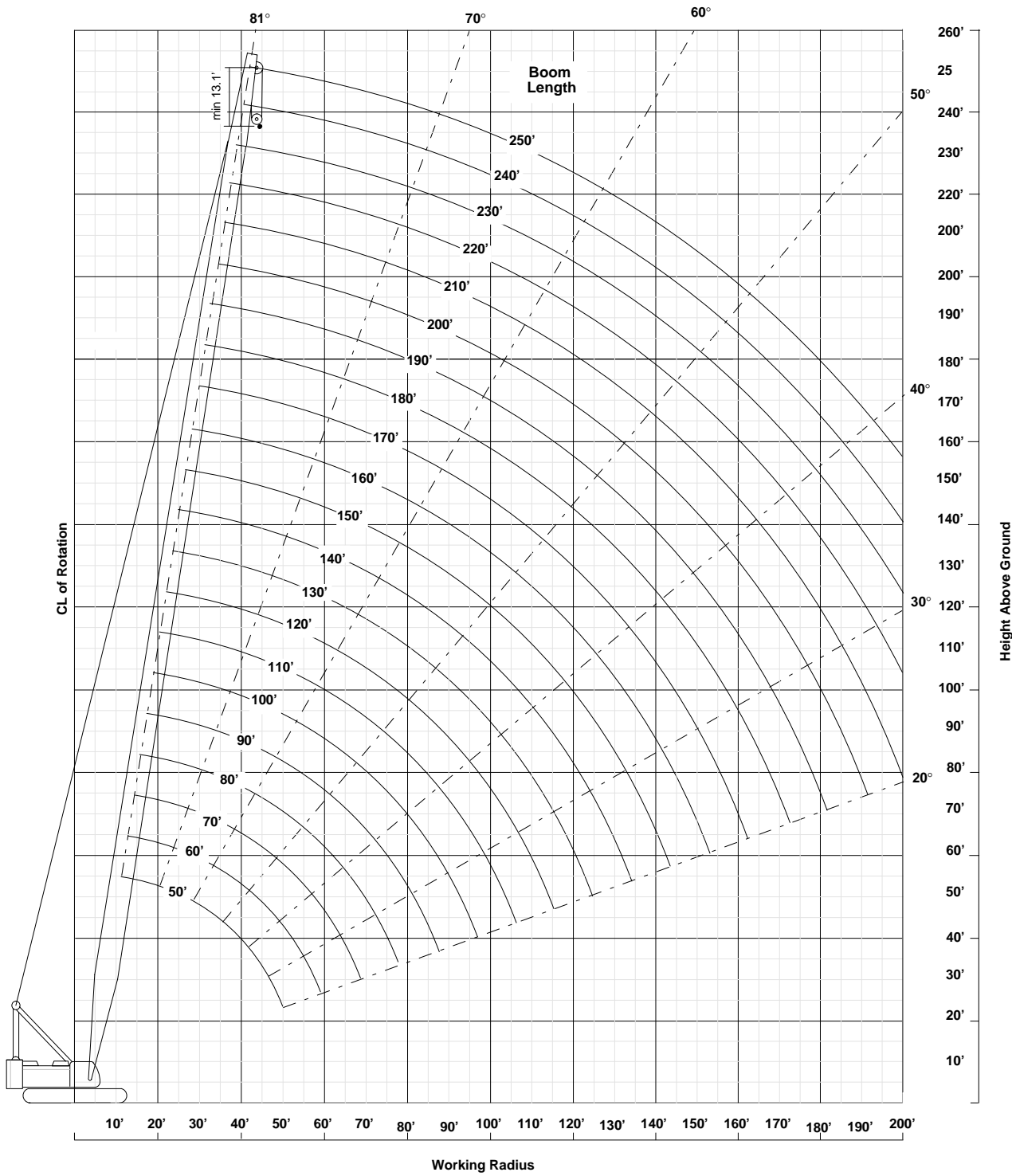
JIB BACKSTAY AND FRONTSTAY LINES are 2 parts of 0.875 inch diameter IPS wire rope with a minimum breaking strength of 69,200 pounds.

THIRD DRUM LINE is 3/4 inch diameter IPS wire rope with a minimum breaking strength of 35,000 pounds.

Erection "OVER THE END" is with the boom over the idler end with idler tumblers blocked (See operator's manual for blocking instructions). Erection "OVER THE SIDE" is with the boom 90° to the sideframes and with the side frames extended. Blocks, slings and other carrying devices must be on the ground during erection.



AMERICAN MODEL HC 150 WORKING RANGES WITH 59H BOOM



For more information, product demonstration, or details on sales, lease and rental plans, please contact your local Terex American Crane Distributor.

We reserve the right to amend these specifications at any time without notice. The only warranty applicable is our standard written warranty applicable to the particular product and sale. We make no other warranty, expressed or implied.



AMERICAN CRANE CORPORATION
202 Raleigh Street
Wilmington, NC 28412 USA
(910) 395-8500 • FAX: (910) 395-8538
E-mail: american@american-crane.com

