



16 tm

ORMIG s.p.A.

TEL. (+39) 0143 80051 r.a.
TELEFAX (+39) 0143 86568
E-mail: mktg@ormigspa.com
E-mail: sales@ormigspa.com
www.ormig.com - www.pickandcarry.com

ORMIG S.p.A.
PIAZZALE ORMIG
P.O. BOX 63
15076 OVADA (AL)
ITALY



TECHNICAL FEATURES

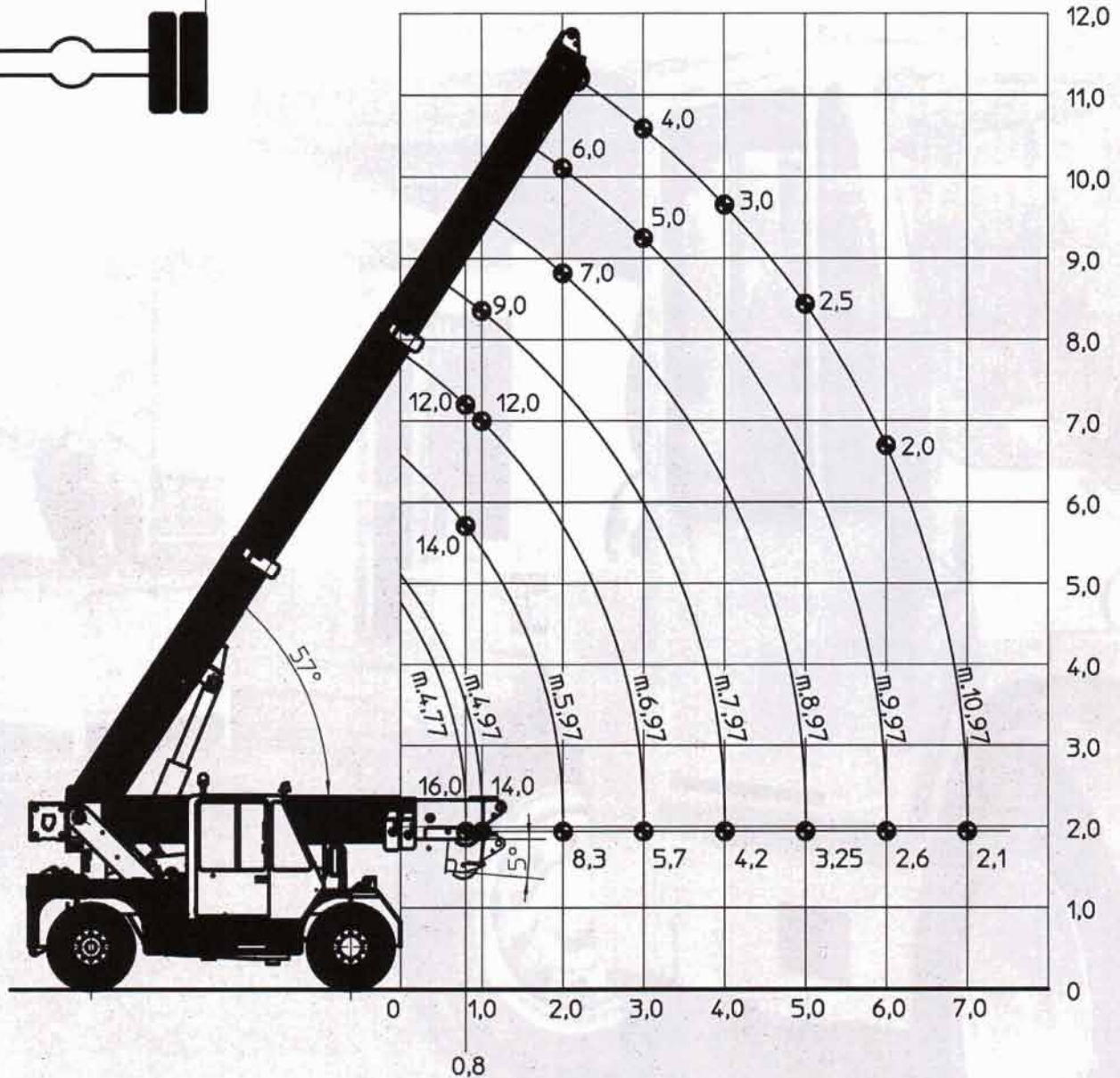
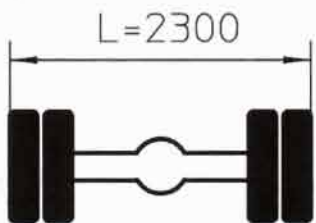
Carrier:	4x2x2
Frame:	Structure from high quality steel, with pipes at rectangular section, connected in the front and rear part to the front axle and to the upper structure.
Engine:	Diesel Perkins 1104C-44T, 4 cylinders, 4400 c.c., 74,5 kW at 2300 rpm Fuel tank 200 litres.
Speed gearbox:	DANA transmission with torque converter, 4 forward and 3 reverse speeds.
Axles:	Front rigid driving axle. Rear steering axle with central oscillation.
Tyres:	10.00 R20, double tyres at front axle and single tyre at rear axle.
Steering:	Hydraulic steering with hydraulic drive DANFOSS.
Brakes:	In compliance with EEC regulations. Hydraulic service and emergency brake at front and rear wheels. Mechanic parking brake, spring type, at front wheels, with hydraulic unlock control.
Driving place:	Dashboard complete with all controls and indicators, ergonomic seat and protections for the driver.
Electric system:	24V, alternator 75A - 2 batteries of 100 Ah
Boom:	Fabricated from plate at high strength. It is formed by a fix base and two extensions at oleodynamic extraction by means of double acting cylinders. Fix hook at boom head.
Hydraulic system:	One axial pistons pump at variable delivery; compensated hydraulic proportional distributor with calibration valves; hydraulic keysenders.
Safe load device:	Electronic, active type, providing cut out of the controls which can cause dangerous conditions and in compliance with regulations in force.
Road certification:	The crane can be certified for travelling on road.
Weight:	Total weight 14100 Kg Front axle 4900 Kg Rear axle 9200 Kg
Equipment on request:	<ul style="list-style-type: none">• Closed cab with heater• Winch with rope, hookblock and end of stroke• Hydraulic and mechanic special flyjibs• Forks• Additional counterweight



Din 15019.2

Tabella portata di sollevamento (ton)

Lifting capacity chart (tonnes)



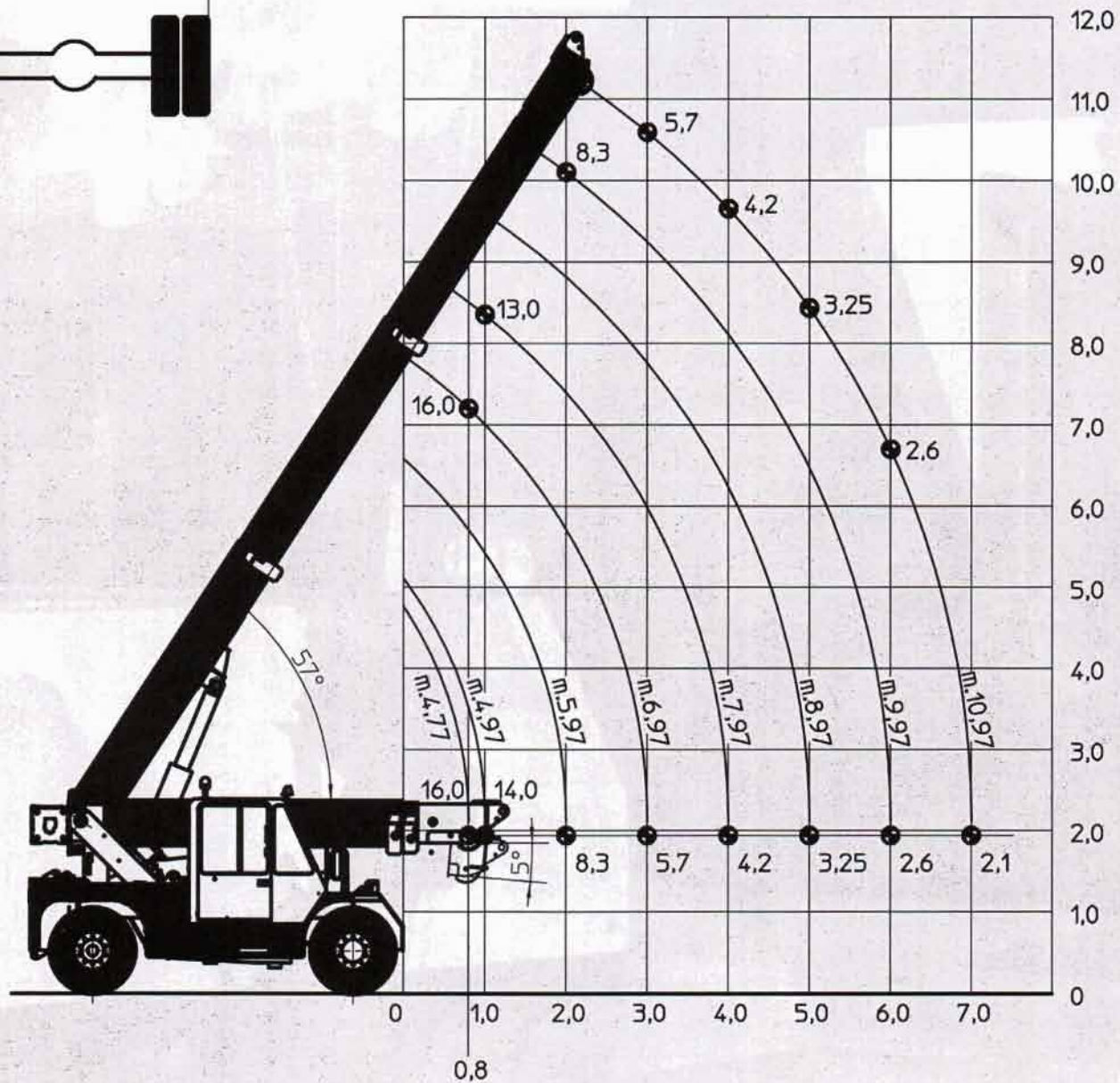
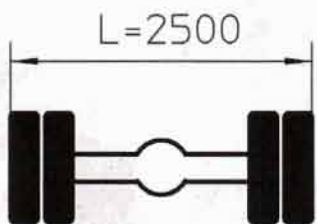
- * Portate determinate da fattori diversi dal ribaltamento
- * Capacities determined by factors other than tipping load



Din 15019.2

Tabella portata di sollevamento (ton)

Lifting capacity chart (tonnes)

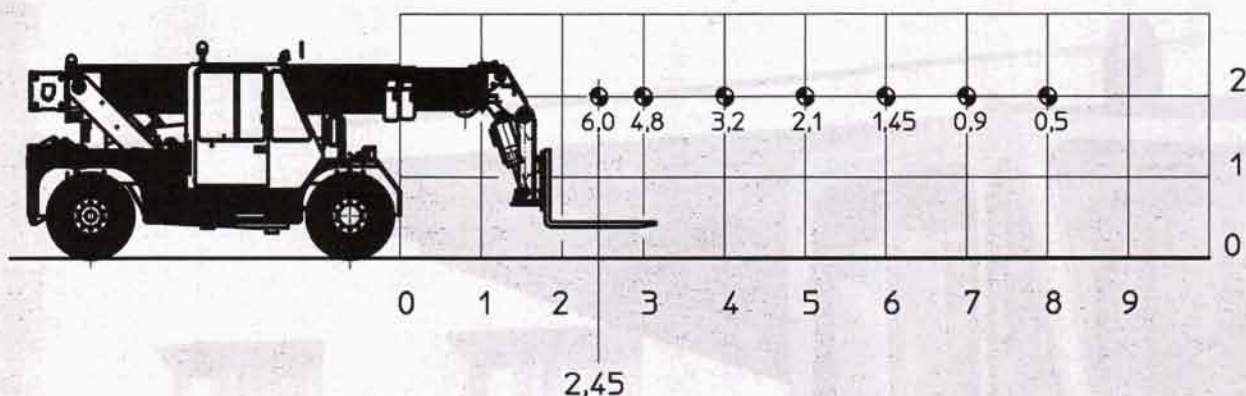
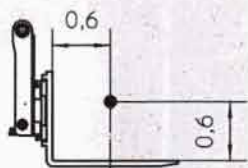


- * Portate determinate da fattori diversi dal ribaltamento
- * Capacities determined by factors other than tipping load



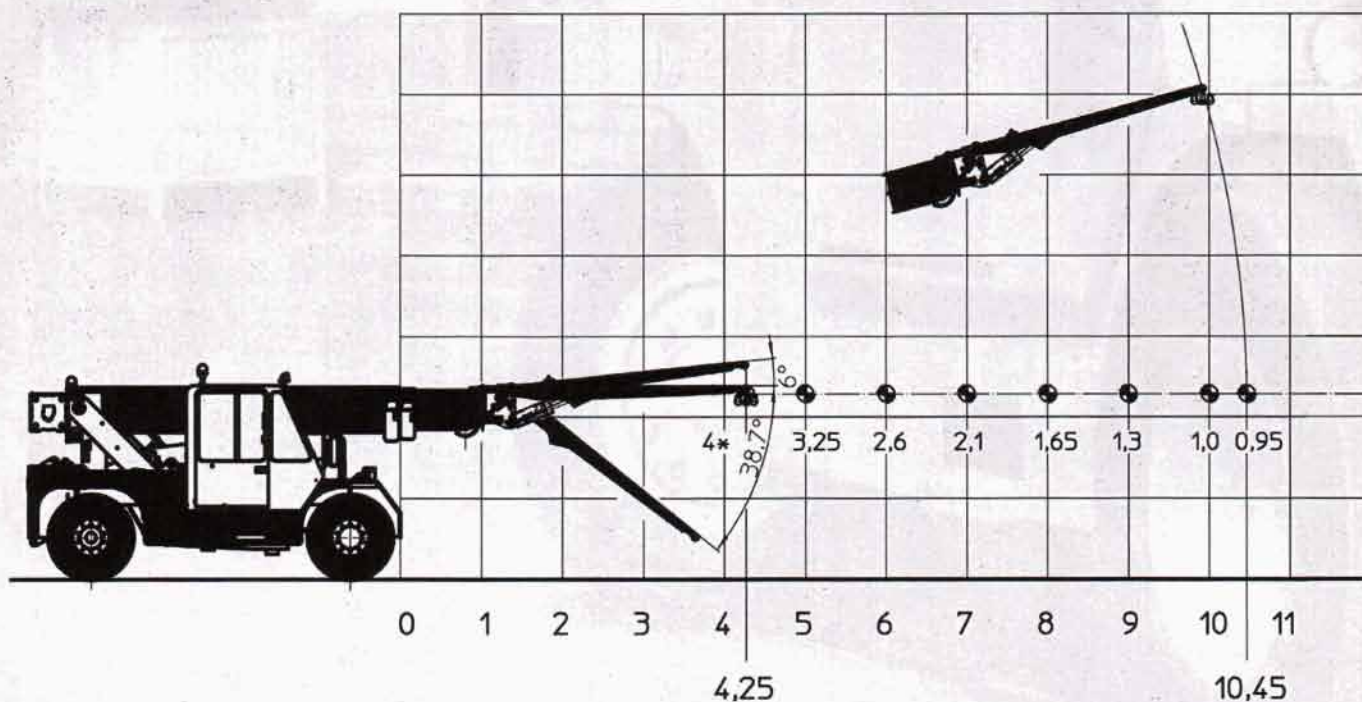
Din 15019.2 Tabella portata di sollevamento forche (ton)

Lifting capacity chart with forks (tonnes)



Din 15019.2 Tabella portata di sollevamento con braccetto (ton)

Lifting capacity Chart with fly - jibs (tonnes)

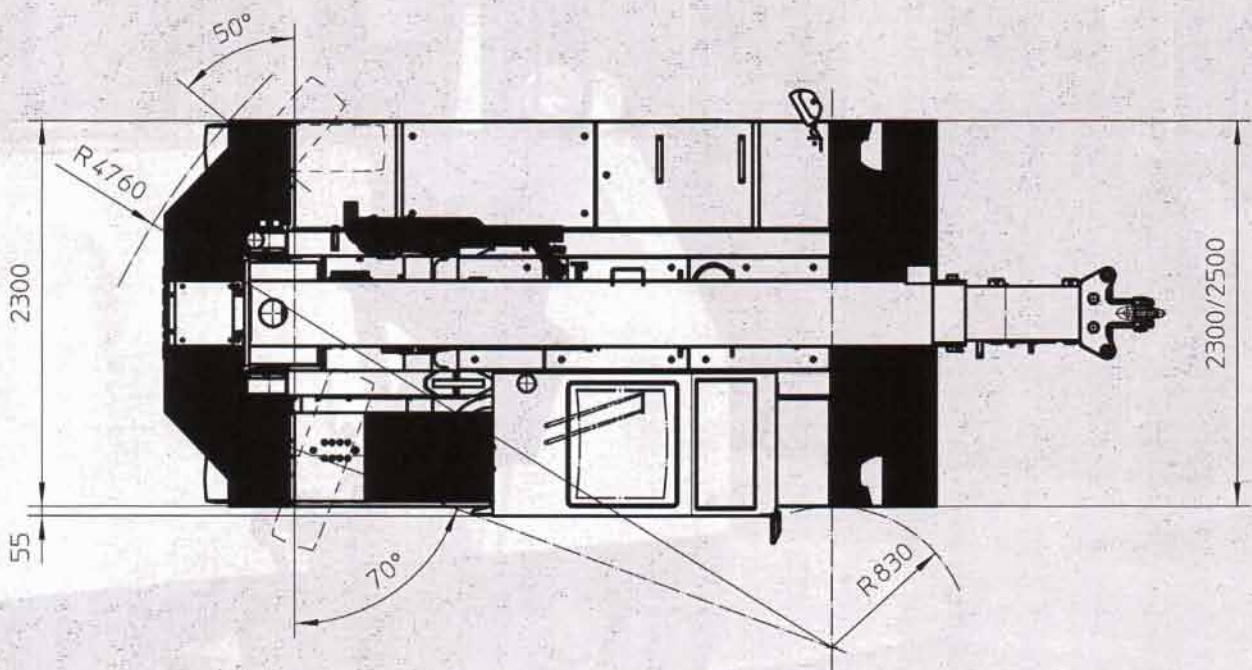
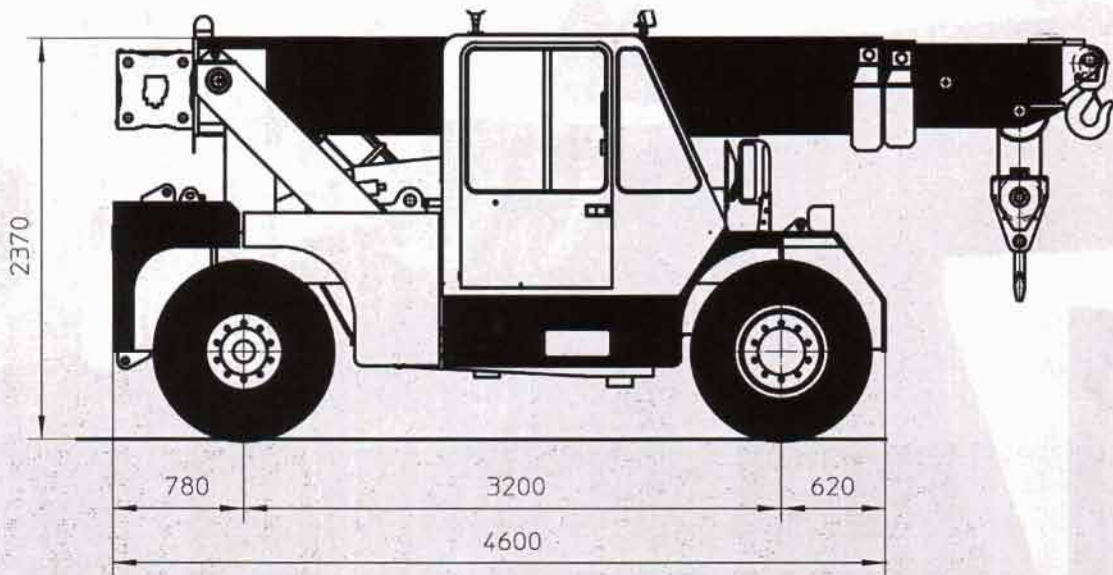


- * Portate determinate da fattori diversi dal ribaltamento
- * Capacities determined by factors other than tipping load



Dimensioni Generali

General Dimensions





TEL. (+39) 0143 80051 r.a.
TELEFAX (+39) 0143 86568
E-mail: mktg@ormigspa.com
E-mail: sales@ormigspa.com
www.ormig.com - www.pickandcarry.com

ORMIG S.p.A.
PIAZZALE ORMIG
P.O. BOX 63
15076 OVADA (AL)
ITALY