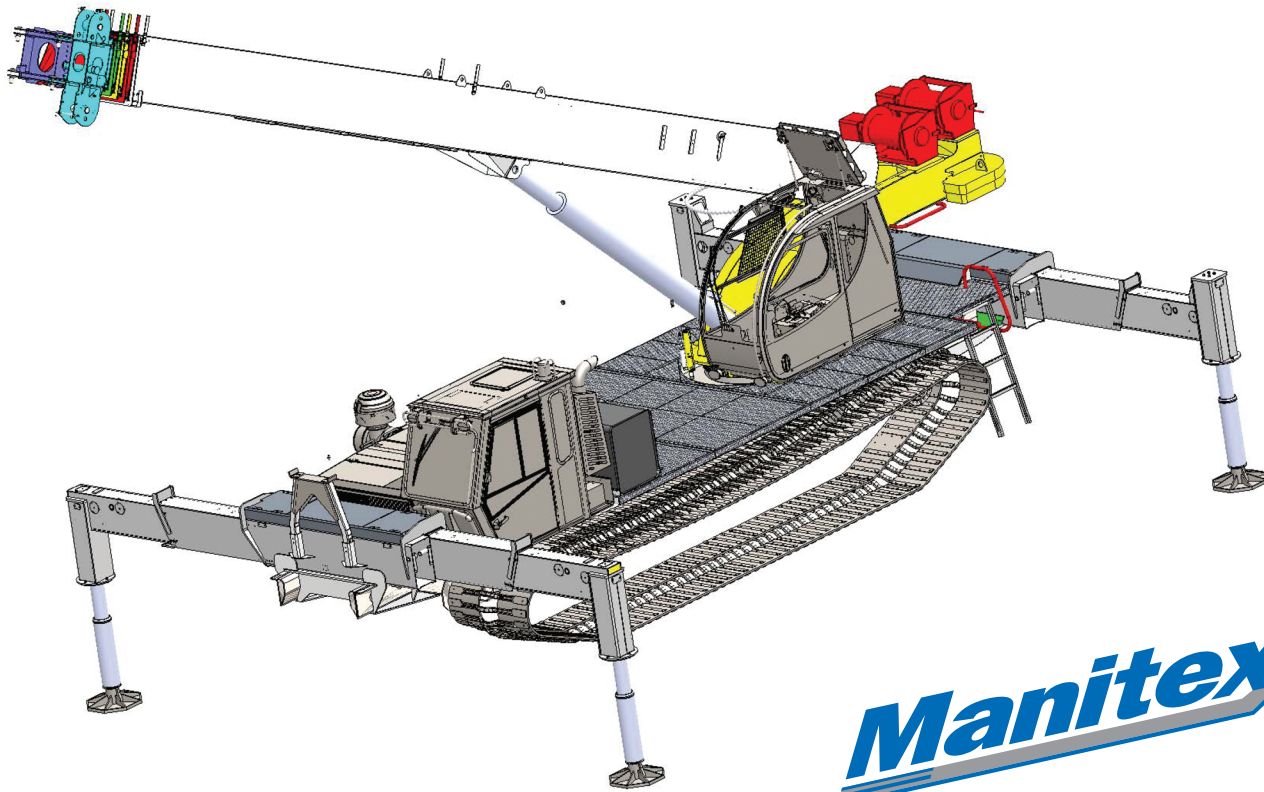




50155GT RUBBER-TRACKED CRANE



Preliminary

Safely Conquer Challenging Environments

The new **Manitex 50155GT Rubber-Tracked Crane** is the highest-capacity crane ever mounted on a rubber-tracked carrier.

With its wide tracks, 50-ton capacity and 200-foot boom height, the **50155GT** is designed not to exceed 4.5 lbs. per square inch of pressure (psi) so you can:

- Traverse rough terrain to safely build and maintain non-energized electrical transmission lines
- Operate in soft, marshy or muddy ground, such as within mines, to perform routine maintenance where traditional "wheeled" cranes cannot operate effectively

Plus, with an overall height of under 11-feet, 1-inch, you can haul the crane to and from worksites without having to obtain costly transportation permits.



See more clearly.

The 50155GT cab tilts up as much as 20° so the operator can see the boom clearly and without neck strain.



50155GT RUBBER-TRACKED CRANE

THE RIGHT TOOL FOR THE JOB

The best of all worlds!

The new 50155GT combines proven components from three industry leaders:

- The upperworks of a Manitex 50155 boom truck
- A low-profile pedestal developed from the Badger CD4430 rough-terrain crane
- Prinoth® Go-Tract 4500 tracked carrier

With the 50155GT, you can:

- **Conquer challenging environments.** The unit's lightweight, 43-inch wide tracks keep ground-bearing pressure to about 4.5 psi, so you can work safely on soft or marshy ground.
- **See clearly.** The 50155GT cab tilts up as much as 20° so the operator can see the boom clearly and without neck strain.
- **Reach farther/ lift more.** With its outriggers fully extended, the 50155GT can lift 50 Tons at 6 foot radius and has the ability to lift a two-person work platform to a height of 200 feet.
- **Lift confidently.** The built-in Hirschmann® load-moment indicator sounds a warning or interrupts boom functions when lift limitations are exceeded.
- **Avoid transport permits and fees.** With an overall height of just under 11-feet, 1-inch, you can haul the crane to and from worksites without having to obtain costly D.O.T. permits.
- **Meet the latest EPA tiered engine requirements.** The Caterpillar® D9 diesel engine complies with the newly established U.S. Environmental Protection Agency (EPA) air emissions standards.



NOTES:



Your Dealer:

MANITEX
 A Manitex International Company
 (877) 314-3390 | (512) 942-3000
www.manitex.com

BADGER EQUIPMENT COMPANY
 A Manitex International Company
 (800) 533-8013 | (507) 454-1563
www.BadgerEquipment.com