



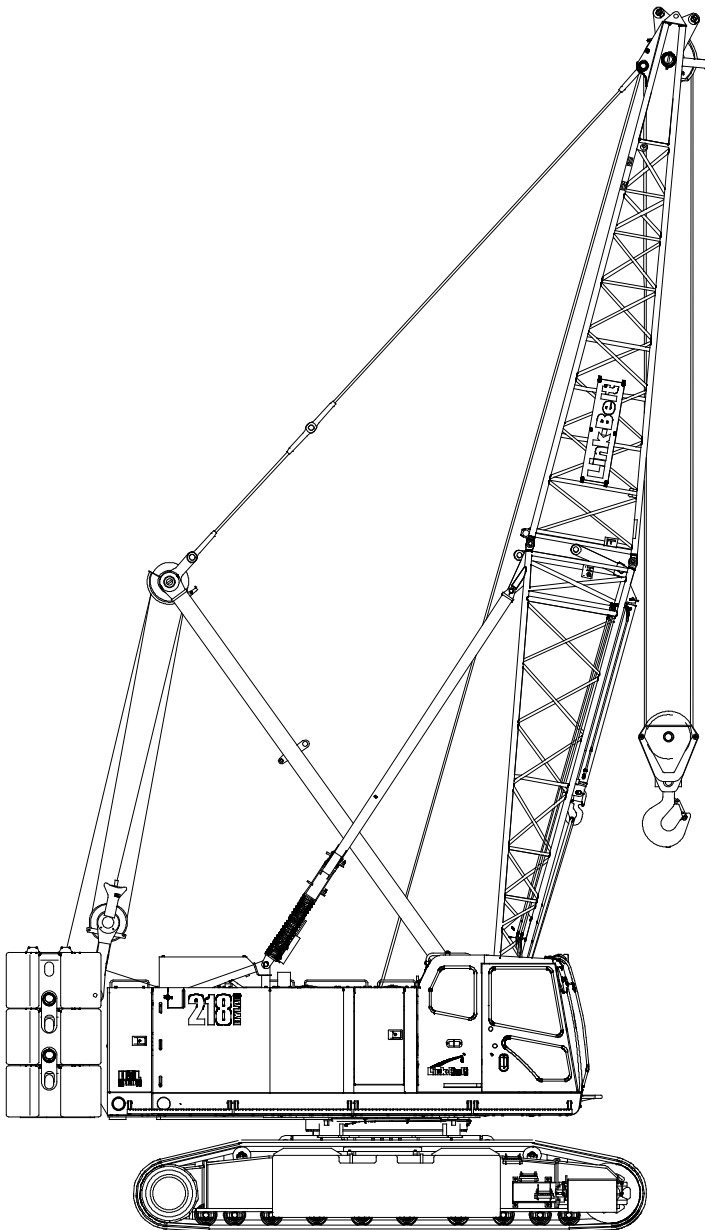
# Technical Data

## Specifications & Capacities

# 218

HYLALAB

**HSL Crawler Crane**  
110 Ton (99.8 metric ton)



**CAUTION:** This material is supplied for reference use only. Operator must refer to in-cab Crane Rating Manual and Operator's Manual to determine allowable crane lifting capacities and assembly and operating procedures.



5533 (supersedes 5489) – 0608 – N6



# Table Of Contents

<b>Upper Structure</b> .....	<b>1</b>
Frame .....	1
Engine .....	1
Hydraulic System .....	1
Load Hoist Drums .....	1
Optional Front–Mounted Third Hoist Drum .....	1
Optional Rear–Mounted Fourth Hoist Drum .....	2
Boom Hoist Drum .....	2
Swing System .....	2
Counterweight .....	2
Operator Cab .....	2
Rated Capacity Limiter System .....	2
Boom Hoist System .....	2
Machinery Cab .....	2
Catwalks .....	2
<b>Lower Structure</b> .....	<b>3</b>
Carbody .....	3
Side Frames .....	3
Travel and Steering .....	3
Optional – Jack System .....	3
<b>Attachment and Options</b> .....	<b>3</b>
Conventional Tube Boom .....	3
Angle Boom .....	4
Tube Jib .....	4
Luffing Boom .....	4
Auxiliary Tip Extension .....	4
Luffing Jib .....	4
<b>Dimensions</b> .....	<b>5</b>
Base Crane .....	7
Side Frames .....	7
Upper Counterweights .....	8
Lower Counterweights .....	8
Boom/Luffing Boom .....	9
Jib/Luffing Jib .....	11
Hook Balls .....	13
Hook Blocks .....	13
<b>Working Weights</b> .....	<b>14</b>
<b>Transport Weights</b> .....	<b>15</b>
<b>Transport Drawings</b> .....	<b>16</b>
<b>Load Hoist Performance</b> .....	<b>17</b>
<b>Working Areas</b> .....	<b>18</b>
<b>Attachments</b> .....	<b>19</b>
<b>Main Boom Make–up</b> .....	<b>21</b>
<b>Main Boom Working Range Diagram</b> .....	<b>23</b>



5533 (supersedes 5489) – 0608 – N6

<b>Main Boom Load Chart</b> .....	<b>25</b>
<b>Jib Attachment Make-up</b> .....	<b>28</b>
<b>Jib Attachment Working Range Diagram</b> .....	<b>29</b>
<b>Jib Attachment Load Charts</b> .....	<b>30</b>
<b>Luffing Attachment Make-up</b> .....	<b>34</b>
<b>Luffing Attachment Working Range Diagrams</b> .....	<b>35</b>
<b>Luffing Attachment Load Charts</b> .....	<b>37</b>
<b>Luffing Attachment Transport</b> .....	<b>46</b>



# Upper Structure

## Frame

All welded steel frame with precision machined surfaces for mating parts.

### Turntable Bearing

- Inner race with internal swing gear is bolted to lower frame.
- Outer race is bolted to upper frame.

## Engine

### Engine

Full pressure lubrication, oil filter, air cleaner, hour meter, throttle, and electric control shutdown.

Isuzu AH-6HK1X	
Number of cylinders	6
Bore and stroke	4.53 x 4.92 in (115 x 125mm)
Piston displacement	475 in <sup>3</sup> (7.8L)
Engine rpm at full load speed	2,000 rpm
Hi-idle rpm	2,050 rpm
Gross engine hp	287 hp (214kw)
Peak torque	838 ft lb (1 125joule) @ 1,500 rpm
Electrical system	24 volt
Fuel tank capacity	110 gal (415L)
Batteries	2-12 volt
Approximate fuel consumption	gal/hr (L/hr)
100% hp	14.40 (54.51)
75% hp	11.53 (43.65)
50% hp	8.28 (31.34)
25% hp	4.20 (15.90)

### Fuel Tank

Equipped with fuel sight level gauges, flame arrester, and self-closing cap with locking eye for padlock.

## Hydraulic System

### Hydraulic Pumps

The pump arrangement is designed to provide hydraulically powered functions allowing positive, precise control with independent or simultaneous operation of all crane functions.

- Two variable displacement pumps operating at 4,551 psi (320kg/cm<sup>2</sup>) and 74 gal/min (280L/min) powers load hoist drums, boom hoist drum, optional third drum, optional fourth drum, and travel.
- One variable displacement pump operating at 4,623 psi (325kg/cm<sup>2</sup>) and 42.3 gal/min (160L/min) powers the swing motors.
- One fixed displacement gear type pump operating at 2,985 psi (210kg/cm<sup>2</sup>) and 15.9 gal/min (60L/min) powers the lower jacks, counterweight removal, self assembly, side frame extend/retract, and hoist brake cooling.
- One fixed displacement gear type pump operating at 1,422 psi (100kg/cm<sup>2</sup>) and 10.8 gal/min (41L/min) powers the pilot control system, clutches, brakes, and pump controls.
- One fixed displacement gear type pump operating at 1,420 psi (100kg/cm<sup>2</sup>) and 8.4 gal/min (32L/min) powers the optional tagline winch.

### Hydraulic Reservoir

119 gal (450L), equipped with sight level gauge. Diffusers built in for deaeration.

### Filtration

Ten micron, full flow, line filter in the control circuit. All oil is filtered prior to entering the reservoir.

### Counterbalance Valves

All hoist motors are equipped with counterbalance valves to provide positive load lowering and prevent accidental load drop if the hydraulic pressure is suddenly lost.

## Load Hoist Drums

Each drum contains an axial piston, variable speed hydraulic motor with individual automatic winch motor brakes. Power flow is directed through a patented, semi-outboard mounted, "wet" style multi-disc brake. The brake is mounted on the "output" side of the planetary, which greatly reduces drag associated with most "wet" style brakes in free-fall mode.

- Power up/down & free-fall operation modes
- Automatic brake mode (spring applied, hydraulically released, wet type brake)
- Drum lagging grooved for wire rope
- Drum pawl controlled manually
- Electronic drum rotation indicators
- Mounted on anti-friction bearings
- 21.81 in (0.55m) root diameter
- 37.81 in (0.96m) flange diameter
- 25.25 in (0.64m) width

The free-fall operation mode is designed to prevent load lowering even if the free-fall switch is accidentally activated.

The automatic brake mode meets all OSHA requirements for personnel handling.

## Optional Front-Mounted Third Hoist Drum

The hydraulic winch is pinned to the front of the upper frame and is used in conjunction with a fleeting sheave and 3-sheave idler assembly to run the wire rope over the boom top section.

- Power up/down for luffer applications where a second load line is needed
- Controlled free spooling capability for pile driving applications or auxiliary hoist line for luffer applications.
- 12.75 in (0.32m) root diameter
- 22.75 in (0.58m) flange diameter
- 17 in (0.43m) width
- Mounted on anti-friction bearings
- Drum lagging grooved for wire rope



### Optional Rear–Mounted Fourth Hoist Drum

Drum contains an axial piston, variable speed hydraulic motor with individual automatic winch motor brakes. Power flow is directed through a patented, semi–outboard mounted, “wet” style multi–disc brake.

- Power up/down & free–fall operation modes
- Automatic brake mode (spring applied, hydraulically released, wet type brake)
- Drum lagging grooved for wire rope
- Drum pawl controlled manually
- Electronic drum rotation indicators
- Mounted on anti–friction bearings
- 21.50 in (0.54m) root diameter
- 40.94 in (1.04m) flange diameter
- 24.63 in (0.62m) width
- Pins to rear of upper frame
- Plumbing and valving standard with main unit

The free–fall operation mode is designed to prevent load lowering even if the free–fall switch is accidentally activated.

The automatic brake mode meets all OSHA requirements for personnel handling.

### Boom Hoist Drum

Contains a pilot controlled, bi–directional, axial piston motor and a planetary gear reduction unit to provide positive control under all load conditions.

- Spring applied, hydraulically released, disc type brake controlled automatically
- Drum lagging grooved for wire rope
- Drum pawl controlled automatically
- Mounted on anti–friction bearings
- 18.35 in (0.47m) root diameter
- 30.40 in (0.77m) flange diameter
- 11.16 in (0.28m) width

### Swing System

Pilot controlled bi–directional axial piston motors and planetary gear reduction units to provide positive control under all load conditions.

- Spring applied, hydraulically released, 360° multi–plate brake
- Free swing mode when lever is in neutral position
- Four position positive house lock
- Two–speed swing
- Audio/Visual swing alarm
- Maximum swing speed is 2.5 rpm

### Counterweight

Consists of a four–piece design that can be easily lowered to the ground using the removal cylinders.

- “A” upper counterweight consists of one, 25,260 lb (11 458kg) base slab
- “B” upper counterweight consists of two, 9,370 lb (4 250kg) wing weight
- “C” upper counterweight consists of two, 9,410 lb (4 268kg) wing weight
- Two side frame counterweights – 11,100 lb (5 035kg) each

Total combined counterweight, “ABC” plus side frame counterweights is 85,020 lb (38 564kg).

### Operator Cab

Fully enclosed modular steel compartment is independently mounted and padded to protect against vibration and noise.

- All tinted/tempered safety glass
- Folding hinge entry door and sliding front glass window
- 19,000 BTU hot water heater
- 18,600 BTU air conditioner
- Door and window locks
- Circulating fan
- Sun visor
- Cloth seat
- Defroster
- Windshield wipers and washer
- Dry chemical fire extinguisher
- Engine instrumentation panel (voltmeter, engine oil pressure, engine water temperature, fuel level, hydraulic oil temperature, hour meter, and service monitor system)
- Electronic drum rotation indicators for front and rear hoist drums
- Six way adjustable seat
- Hand and foot throttle
- Fully adjustable single axis controls
- Swing lever with swing brake and horn located on handle
- Bubble type level
- Ergonomic gauge layout
- Controls shut off lever
- Control stand is adjustable for operator comfort.

### Rated Capacity Limiter System

The HSL rated capacity limiter system is a boom hoist load cell system. This system provides the operator with useful geometrical data, to include:

- Main Boom Length
- Main Boom Angle
- Jib Length
- Jib Angle
- Operating Mode
- Load Radius
- Boom Tip Height
- Audible Alarm
- Pre–Warning Light
- Overload Light
- Load On Hook
- Function kick–outs including over load
- Operator settable stops (ramped stops)
- Anti–Two Block Indicator
- Boom hoist dead end load cell (no lineriders)

### Boom Hoist System

Designed to lift off maximum boom or maximum boom plus jib unassisted. Operates up to a maximum boom angle of 80° for conventional boom and 90° for luffing boom. Boom hoist limit system limits maximum boom angle operation.

- Pin–on bail frame
- 12–part reeving with 20mm (0.787 in) wire rope
- 22 ft (6.71m) live mast
- Two 1.25 in (32mm) pendants
- Tubular boom backstops (telescopic type)
- Sheaves contain sealed anti–friction bearings
- Boom speed from 10° – 70° is 69 seconds with no load. Speed was determined using 100 ft (30.48m) of tube boom.

### Machinery Cab

Hinged doors (four on right side, three on left side) for machinery access. Storage/rigging box located on operator’s side of upper house. Equipped with rooftop access ladder and skid resistant finish on roof.

### Catwalks

Standard on right and left sides. Catwalks are removable for reduced travel width.



# Lower Structure

## Carbody

### Lower Frame

All welded high strength steel [65,000 psi (448.16MPa) yield] box construction frame with precision machined surfaces for turntable bearing and rotating joint.

- 9 ft 11 in (3.02m) overall width
- 11 ft 11 in (3.60m) overall length

## Side Frames

### Side Frames

All welded, precision machined, steel frames can be hydraulically extended and retracted by a hydraulic cylinder mounted in the lower frame.

- 14 ft 2 in (4.32m) extended gauge
- 9 ft (2.74m) retracted gauge
- 20 ft 6 in (6.25m) overall length
- 36 in (0.91m) wide track shoes
- Sealed (oil filled) drive planetaries
- Compact travel drives
- Automatic hydraulic track adjustment system – optional

### Track Rollers

- Ten sealed (oil filled) track rollers per side frame
- Heat treated, mounted on oil filled anti-friction bearings

### Tracks

Heat treated, self-cleaning, multiple hinged track shoes joined by one-piece full floating pins; 53 shoes per side frame

### Take Up Idlers

Cast steel, heat treated, self-cleaning, mounted on aluminum/bronze bushings. Lubricated through idler shaft.

- **Track Tension Adjustment** – Idler wheel adjusted by means of hydraulic cylinder and hand pump. Idler wheel shaft held in position with shims after adjustment is made.

## Travel and Steering

### Travel and Steering

Each side frame contains a pilot controlled, bi-directional, axial piston motor and a planetary gear reduction unit to provide positive control under all load conditions.

- Individual control provides smooth, precise maneuverability including full counter-rotation.
- Spring applied, hydraulically released disc type brake controlled automatically
- Maximum travel speed is 1.2 mph (1.93km/h).
- Designed to 30% gradeability

## Optional – Jack System

System contains four hydraulic cylinders individually pinned on swing out beams.

- Individual controls are mounted on carbody.
- Minimum height of carbody when resting on pontoons is 16 in (0.41m).
- Maximum height of carbody when resting on pontoons is 42 in (1.07m).

# Attachment and Options

## Conventional Tube Boom 40–230 ft (12.19–70.10m)

### Basic Boom

40 ft (12.19m) two-piece design that utilizes a 20 ft (6.10m) base section and a 20 ft (6.10m) open throat top section with in-line connecting pins on 60 in (1.52m) wide and 50 in (1.27m) deep centers.

- Boom foot on 55.12 in (1.40m) centers
- 3 in (7.62cm) diameter chords
- Lugs on base section for self assembly
- Deflector roller on top section
- Permanent skid pads mounted on top section to protect head machinery

- Four, 21.53 in (54.69cm) root diameter polyamide sheaves mounted on sealed anti-friction bearings
- Tip extension and jib connecting lugs on top section
- Mechanical boom angle indicator
- Self assembly cylinder – optional

### Tube Boom Extensions

The following table provides the lengths available and the suggested quantity to obtain maximum boom in 10 ft (3.05m) increments. Midpoint pendant connections are required at 100 ft (30.48m) for boom lengths of 210 ft (64.01m), 220 ft (67.06m), and 230 ft (70.10m).

- Polyamide wear blocks on top of each extension

Tube Boom Extensions		Quantity For Max Boom
ft	m	
10	3.05	1
20	6.10	2
30	9.14	2
40	12.19	2

- Maximum tip height of 233 ft 11 in (71.30m)
- Boom connecting pins storage on each extension



## Angle Boom 45–155 ft (13.72–47.24m)

### Basic Angle Boom

45 ft (13.72m) two-piece design that utilizes a 20 ft (6.10m) base section and a 25 ft (7.62m) top section with in-line connecting pins on 60 in (1.52m) wide and 54 in (1.37m) deep centers.

- Boom foot on 55.12 in (1.40m) centers
- 4 in x 4 in x 0.5 in (10.16cm x 10.16cm x 1.27cm) angle chords
- Lugs on base section for self assembly
- Deflector roller on top section
- Rigid sheave guards
- Tip extension and jib connecting lugs on top section
- Three, 24.75 in (62.87cm) root diameter lift sheaves mounted on sealed anti-friction bearings with rope guards
- Self assembly cylinder – optional

### Angle Boom Extensions

The following table provides the lengths available and the suggested quantity to obtain maximum boom in 10 ft (3.05m) increments. Midpoint pendant connections are not required.

Angle Boom Extensions		Quantity For Max Boom
ft	m	
10	3.05	1
20	6.10	2
30	9.14	2

- Appropriate length pendants
- Maximum angle boom tip height of 160.51 ft (48.92m).

## Tube Jib 30–75 ft (9.14–22.86m)

### Basic Tube Jib

30 ft (9.14m) two-piece design that utilizes a 15 ft (4.57m) base section and a 15 ft (4.57m) top section with in-line connecting pins on 32 in (0.81m) wide and 24 in (0.61m) deep centers.

- 2 in (50.8mm) diameter chords
- One 18.50 in (0.47m) root diameter steel sheave mounted on sealed anti-friction bearings

- 15 ft (4.57m) jib extensions provide jib lengths of 45 ft (13.72m), 60 ft (18.29m), and 75 ft (22.86m).
- Jib offset angles at 5°, 15°, and 25°
- The maximum tip height of boom + jib [200 ft + 75 ft (60.96 + 22.86m)] is 278.6 ft (84.92m).

## Luffing Boom 80–150 ft (24.38–45.72m)

- Common base and extensions as open throat boom (“HP” only)
- 5 ft (1.52m) luffing extension required for bail anchor
- Working angles of 90°, 85°, 80°, 75°, 70°, and 65°
- Working lengths of 80 ft (24.38m) to 140 ft (42.67m)

### Luffing Boom Extensions

The following table provides the lengths available and the suggested quantity to obtain the maximum luffing boom in 10 ft (3.05m) increments. Midpoint pendants are not required.

Luffing Boom Extensions		Quantity For Max Boom
ft	m	
10	3.05	1
20	6.10	2
30	9.14	1
40	12.19	1

Note: “HP” type boom must be used.

- Rear hoist drum becomes luffing jib hoist
- Optional third drum provides second working hoist line, if required.
- Designed for self-assembly
- Luffing jib hoist bridle and bail can remain reeved for crane transport
- Job site mobility with attachment
- Rolled out or rolled under erection methods
- Compact transport module

## Auxiliary Tip Extension

Designed to use in place of jib to provide clearance between working hoist lines. The extension is equipped with two nylon 18 in (45.72cm) root diameter sheaves mounted on sealed anti-friction bear-

ings. Maximum capacity is 18.5 Ton (16.78mt).

## Luffing Jib 50–140 ft (15.24–42.67m)

### Basic Luffing Jib

50 ft (15.24m) four-piece design utilizes a 5 ft (1.52m) luffing boom top section, 20 ft (6.10m) luffing jib base section, 20 ft (6.10m) luffing jib top section, and 10 ft (3.05m) jib extension with in-line connecting pins. Jib extensions are 48 in (1.22m) wide and 39 in (0.99m) deep at the centers.

- 25 Ton (22.68mt) maximum capacity
- Working lengths of 50 ft (15.24m) to 140 ft (42.67m)
- Lugs on base section to attach fan-post transport links
- Two steel 22.50 in (0.57m) diameter luffing jib head sheaves
- Two polyamide 21.25 in (0.54m) diameter luffing boom auxiliary head sheaves
- Pin-on nose wheel
- Eight-part luffing jib hoist
- 1.25 in (31.75mm) diameter type “N” pendants
- Anemometer with in-cab display

### Luffing Jib Extensions

The following table provides the lengths available and the suggested quantity to obtain the maximum luffing jib in 10 ft (3.05m) increments. Midpoint pendants are not required.

Luffing Jib Extensions		Quantity For Max Luffing Jib
ft	m	
10	3.05	1
20	6.10	1
30	9.14	2

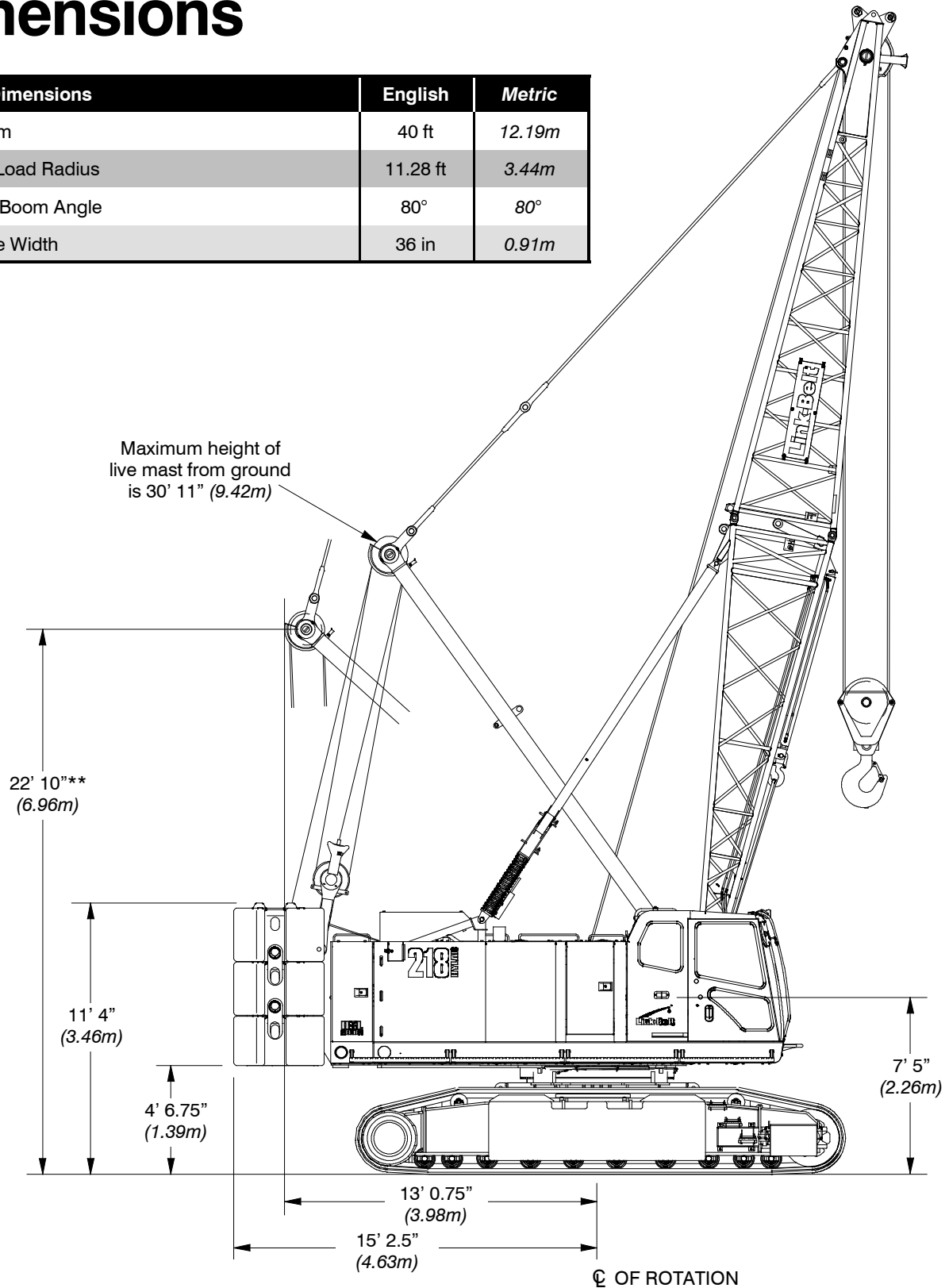
- Deflector roller on top of each extension
- Appropriate length pendants
- Maximum luffing jib tip height of 283 ft (86.26m)



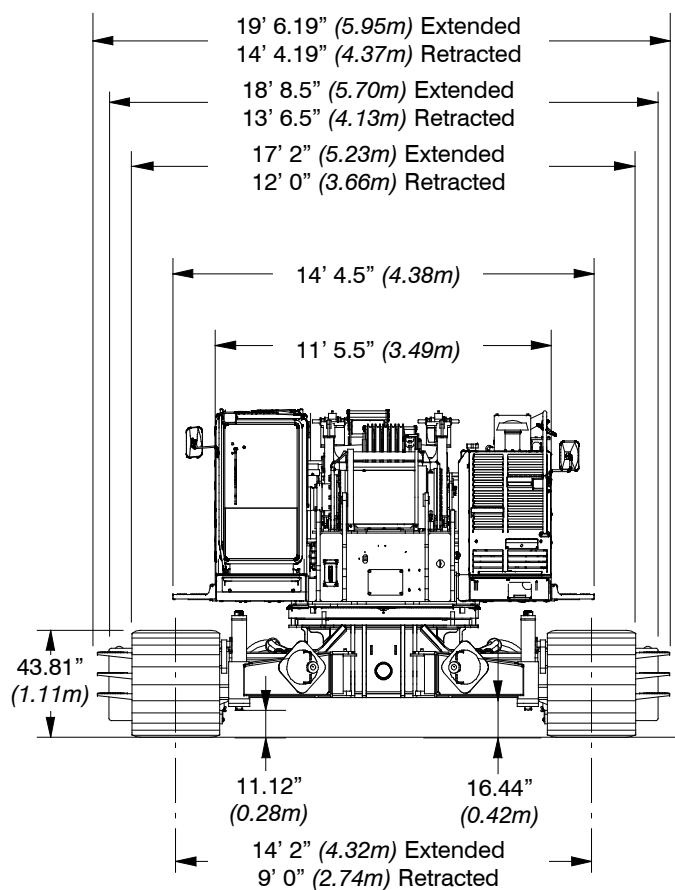
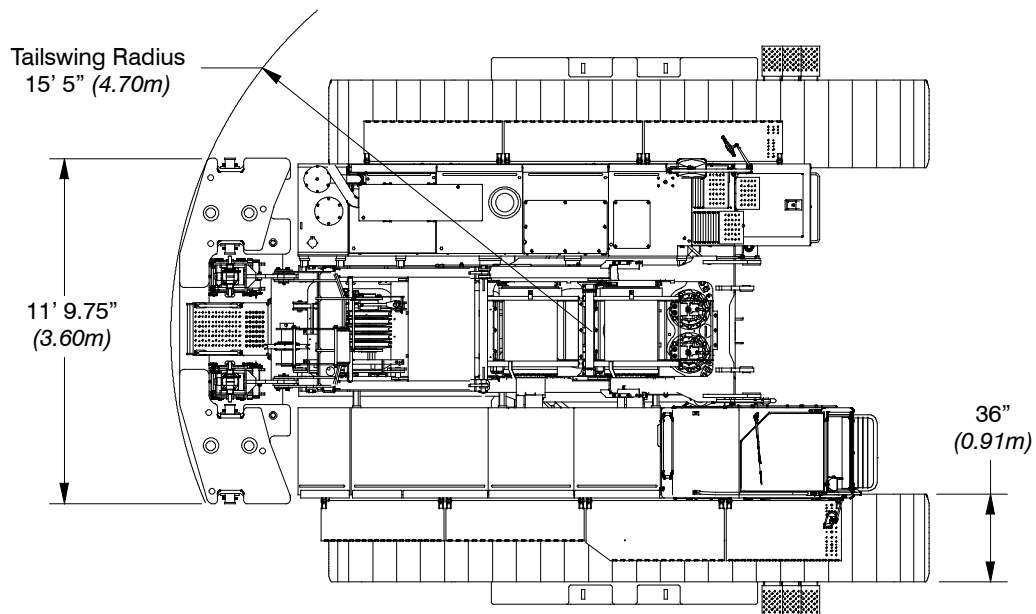


# Dimensions

General Dimensions	English	Metric
Basic Boom	40 ft	12.19m
Minimum Load Radius	11.28 ft	3.44m
Maximum Boom Angle	80°	80°
Track Shoe Width	36 in	0.91m



Note: \*\*\*@ Maximum boom angle (80°) with maximum boom [240 ft (73.15m)], maximum rotation radius occurs.

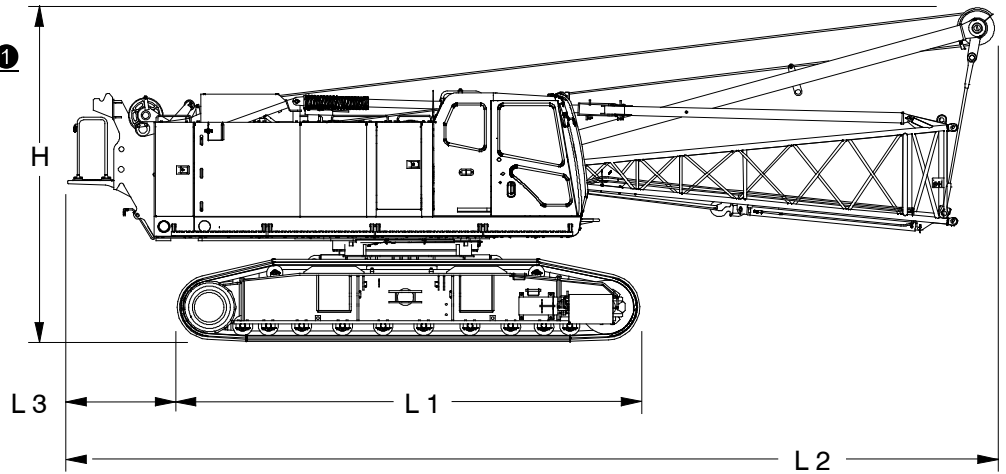




# Base Crane

## Base Crane ①

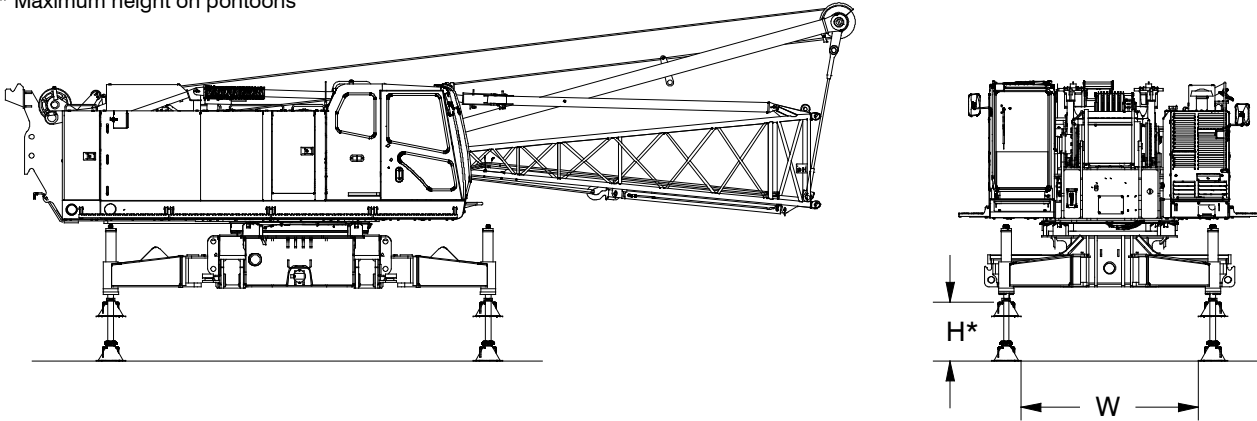
Length 1	20 ft 6.25 in	(6.25m)
Length 2	41 ft 1.31 in	(12.53m)
Length 3	4 ft 10.25 in	(1.48m)
Height	14 ft 10 in	(4.52m)
Weight:		
Tube Boom	99,508 lb	(45 136kg)
Angle Boom	100,693 lb	(45 674kg)



## Base Crane w/ Optional Jacks ①

Width	8 ft 5.33 in	(2.57m)
Height*	35.34 in	(0.90m)
Weight	67,250 lb	(30504kg)

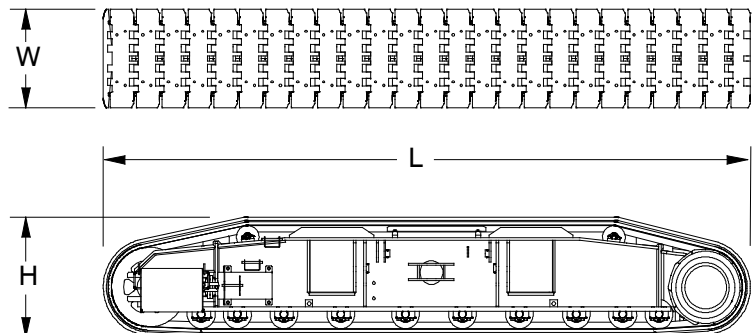
\* Maximum height on pontoons



# Side Frames

## Side Frames ②

Length	20 ft 6.25 in	(6.25m)
Width	36 in	(0.91m)
Height	43.81 in	(1.11m)
Weight	19,450 lb	(8 822kg)



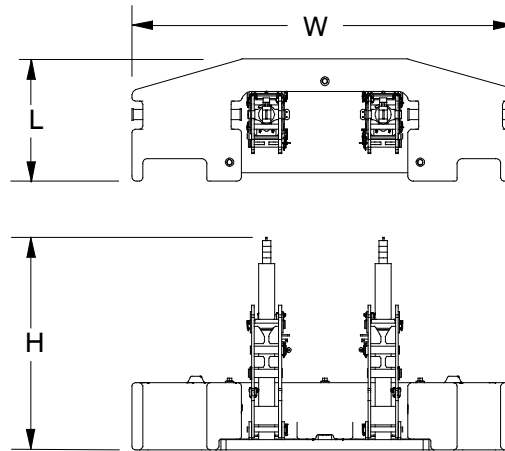
Number inside black circle "①" = # of components



## Upper Counterweights

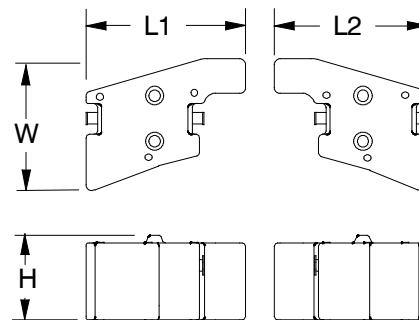
### “A” Slab Counterweight ①

Length	45.44 in	(1.15m)
Width	11 ft 9.75 in	(3.60m)
Height	6 ft 6 in	(1.98m)
Weight	25,260 lb	(11 458kg)



### “B” Wing Counterweights ②

Length 1	55.12 in	(1.40m)
Length 2	53 in	(1.35m)
Width	45.44 in	(1.15m)
Height	29.44 in	(0.75m)
Weight	9,370 lb	(4 250kg)



### “C” Wing Counterweights ②

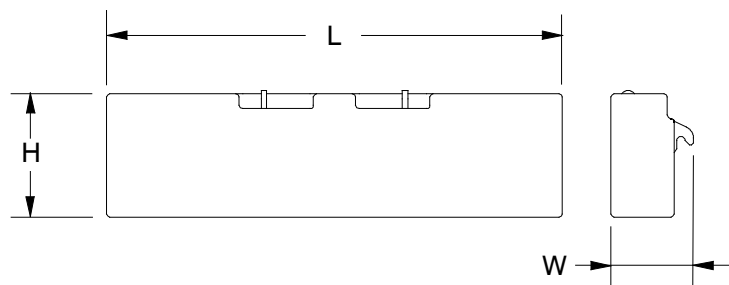
Length 1	55.12 in	(1.40m)
Length 2	53 in	(1.35m)
Width	45.44 in	(1.15m)
Height	29.44 in	(0.75m)
Weight	9,410 lb	(4 268kg)

## Lower Counterweights

### Side Frame Counterweights ②

Length	9 ft 1 in	(2.77m)
Width	15.16 in	(0.39m)
Height	29.50 in	(0.75m)
Weight	11,100 lb	(5 035kg)

Number inside black circle “①” = # of components





5533 (supersedes 5489) – 0608 – N6

# Boom/Luffing Boom

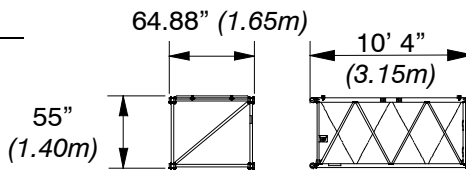
60 in (1.52m) x 50 in (1.27m)

## Tube Boom/Luffing Boom

### Extensions

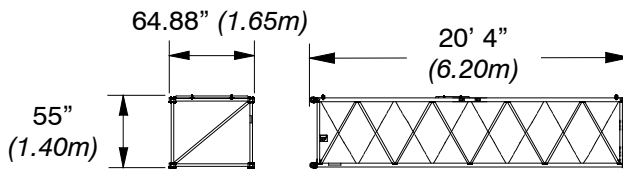
#### 10 ft (3.05m) Extension

Weight: 635 lb (288kg)



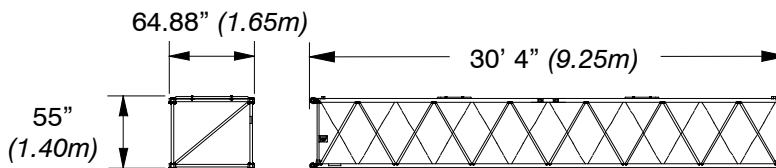
#### 20 ft (6.10m) Extension

Weight: 1,085 lb (492kg)



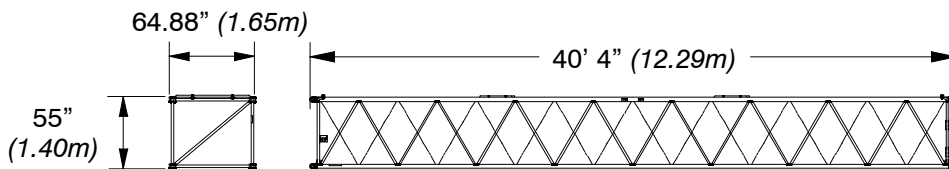
#### 30 ft (9.14m) Extension

Weight: 1,534 lb (696kg)



#### 40 ft (12.19m) Extension

Weight: 1,978 lb (897kg)

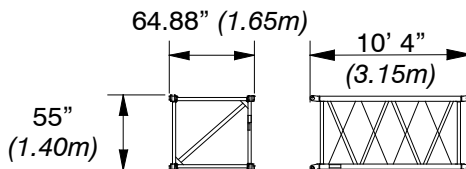


## 60 in (1.52m) x 54 in (1.37m)

### Angle Boom Extensions

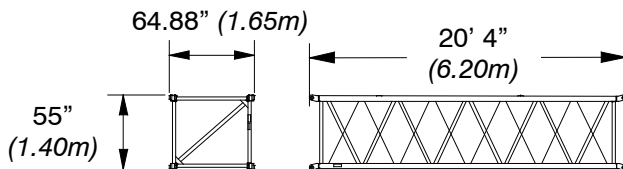
#### 10 ft (3.05m) Extension

Weight: 1,281 lb (581kg)



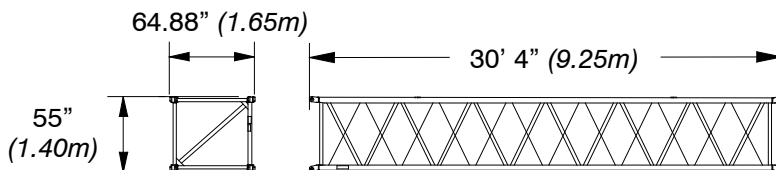
#### 20 ft (6.10m) Extension

Weight: 2,330 lb (1 057kg)



#### 30 ft (9.14m) Extension

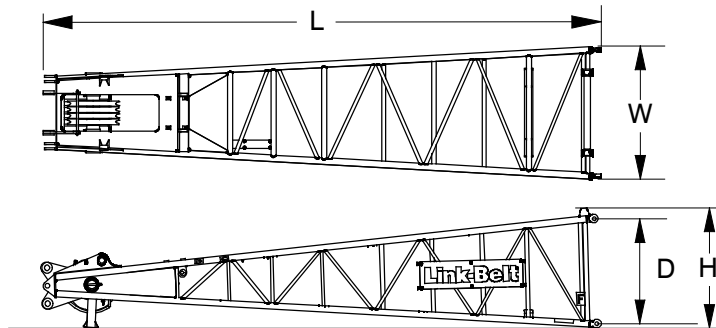
Weight: 3,126 lb (1 418kg)



**20 ft (6.10m) Tube Boom****Top Section**

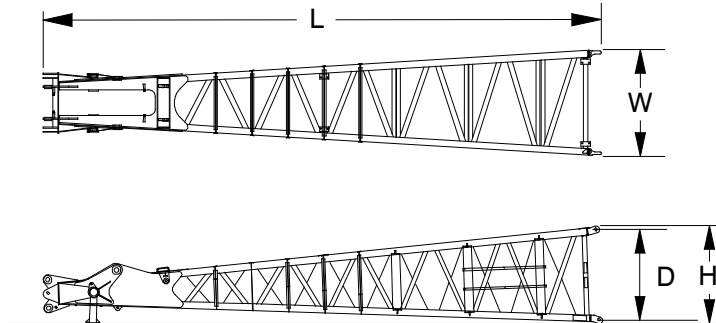
①

Length	22 ft 2 in	(6.76m)
Width	63.12 in	(1.60m)
Deep	50 in	(1.27m)
Height	57 in	(1.45m)
Weight	2,108 lb	(956kg)

**25 ft (7.62m) Angle Boom****Top Section**

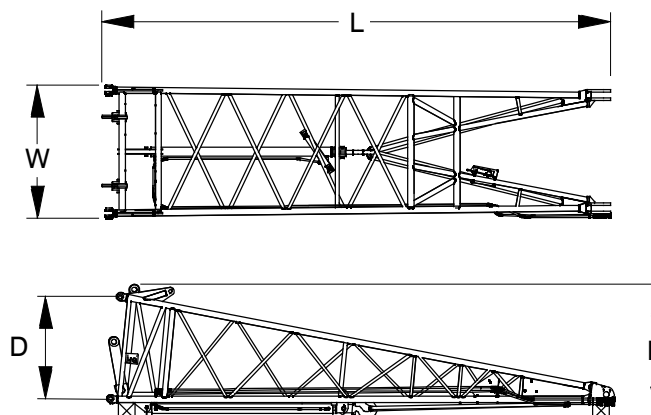
①

Length	27 ft 8.25 in	(8.44m)
Width	61.87 in	(1.57m)
Deep	54 in	(1.37m)
Height	58 in	(1.47m)
Weight	3,835 lb	(1 740kg)

**20 ft (6.10m) Tube Boom****Base Section**

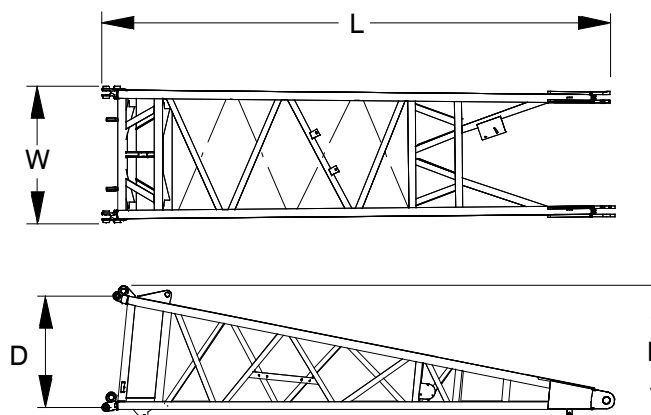
①

Length	20 ft 7.5 in	(6.29m)
Width	64.88 in	(1.65m)
Deep	50 in	(1.27m)
Height	65.50 in	(1.66m)
Weight		
w/o Self Assembly	1,737 lb	(788kg)
w/ Self Assembly	2,111 lb	(958kg)

**20 ft (6.10m) Angle Boom****Base Section**

①

Length	20 ft 7.5 in	(6.29m)
Width	65.50 in	(1.66m)
Deep	54 in	(1.37m)
Height	65 in	(1.65m)
Weight	3,174 lb	(1 440kg)

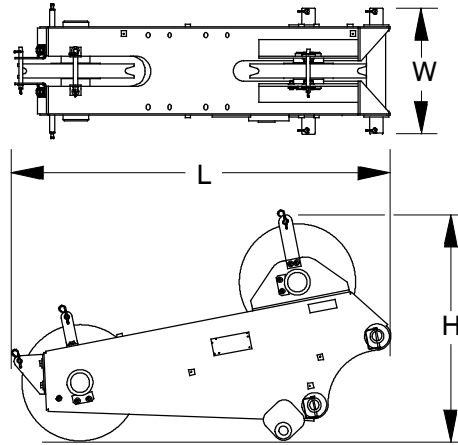


Number inside black circle "①" = # of components

\* – Optional equipment

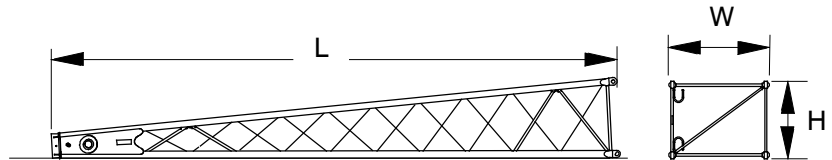
**Auxiliary Tip Extension\*** ①

Length	70.35 in	(1.79m)
Width	24.50 in	(0.62m)
Height	42.91 in	(1.09m)
Weight	720 lb	(327kg)

**Jib/Luffing Jib****15 ft (4.57m) Jib****Top Section\*** ①

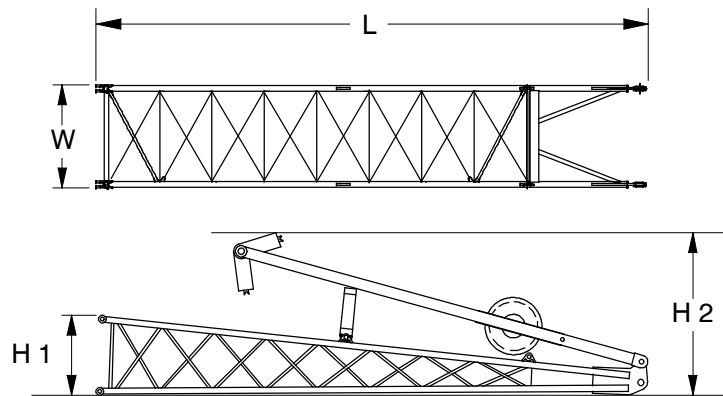
Length	16 ft 1.50 in	(4.91m)
Width	34.50 in	(0.88m)
Height	26.50 in	(0.67m)
Weight†	604 lb	(274kg)

† Weight includes pendants and hardware.

**15 ft (4.57m) Jib****Base Section\*** ①

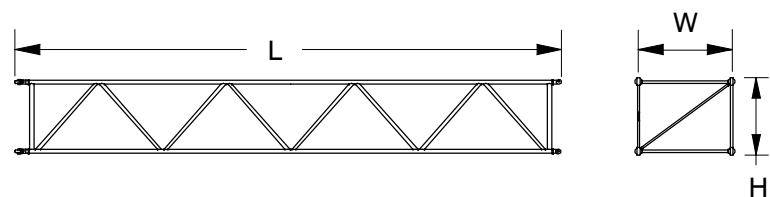
Length	15 ft 3.50 in	(4.66m)
Width	34.50 in	(0.88m)
Height 1	26.50 in	(0.67m)
Height 2	54.50 in	(1.38m)
Weight†	1,106 lb	(502kg)

† Weight includes pins, basic frontstay &amp; backstay pendants, and hardware.

**15 ft (4.57m) Jib Extension\*** ①

Length	15 ft 2.50 in	(4.64m)
Width	34.50 in	(0.88m)
Height	26.50 in	(0.67m)
Weight†	330 lb	(150kg)

† Weights includes pins, pendants, and hardware.



Number inside black circle "①" = # of components

\* – Optional equipment

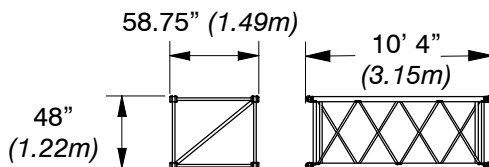


## Luffing Jib Extensions\*

Weights Include Pendants and Hardware

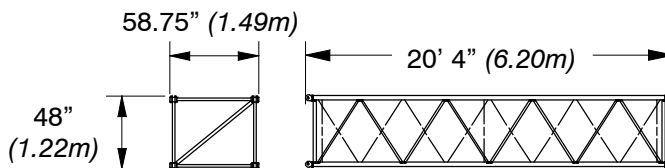
### 10 ft (3.05m) Extension

Weight: 550 lb (249kg)



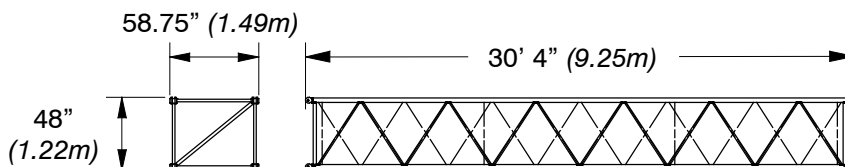
### 20 ft (6.10m) Extension

Weight: 1,100 lb (499kg)



### 30 ft (9.14m) Extension

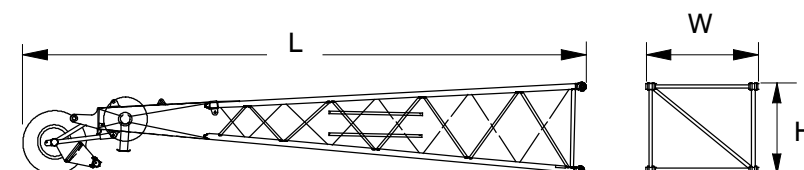
Weight: 1,650 lb (748kg)



## 20 ft (6.10m) Luffing Jib Top Section\* ①

Length	24 ft 8.25 in	(7.52m)
Width	58.75 in	(1.49m)
Height	48 in	(1.22m)
Weight†	2,800 lb	(1 270kg)

† Weight includes pendants and hardware.



Number inside black circle “①” = # of components

\* – Optional equipment



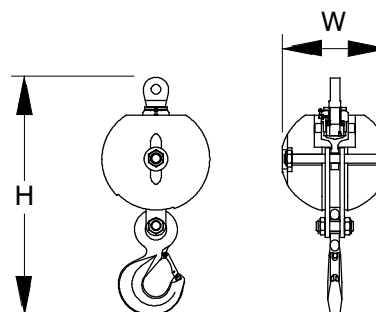


## Hook Balls

### 15 Ton (13.6mt) Swivel

#### Hook Ball\* 1

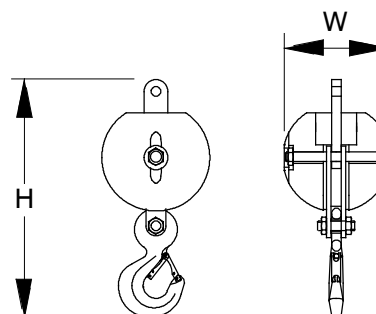
Width	17.50 in	(0.44m)
Height	40.50 in	(1.03m)
Weight	767 lb	(348kg)



### 15 Ton (13.6mt) Non-Swivel

#### Hook Ball\* 1

Width	18 in	(0.46m)
Height	39.50 in	(1.00m)
Weight	748 lb	(339kg)

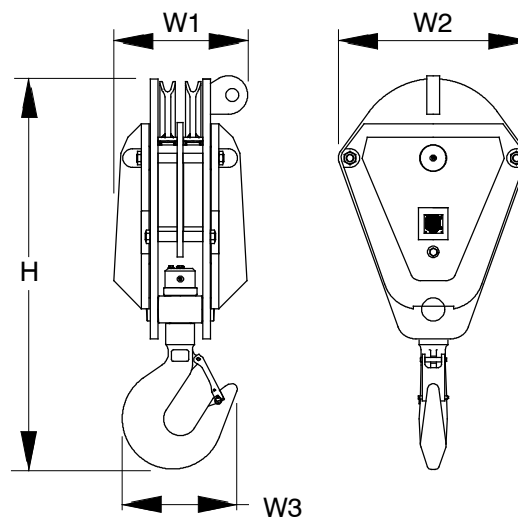


## Hook Blocks

### 25 Ton (22.7mt)

#### 2-Sheave Hook Block\* 1

Width1	16.50 in	(0.42m)
Width2	24.75 in	(0.63m)
Width3	11.00 in	(0.28m)
Height	46.25 in	(1.17m)
Weight	1,167 lb	(529kg)

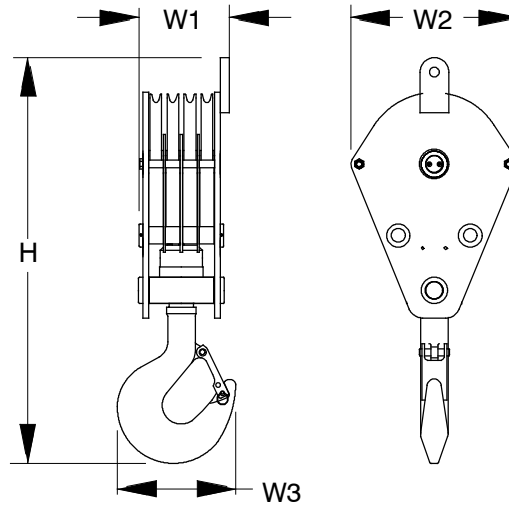


Number inside black circle “**1**” = # of components

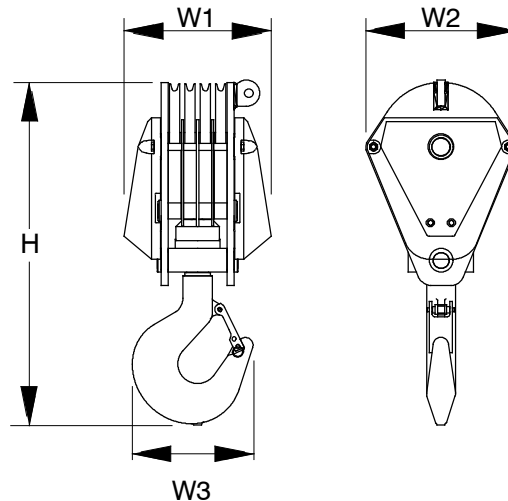
\* – Optional equipment

**80 Ton (72.6mt)****4–Sheave Hook Block\*** ①

Width1	28.75 in	(0.73m)
Width2	15.00 in	(0.38m)
Width3	20.25 in	(0.51m)
Height	69.75 in	(1.77m)
Weight	1,520 lb	(689kg)

**110 Ton (99.8mt)****4–Sheave Hook Block\*** ①

Width1	28.75 in	(0.73m)
Width2	28.00 in	(0.71m)
Width3	23.00 in	(0.58m)
Height	65.50 in	(1.66m)
Weight	2,975 lb	(1 349kg)



Number inside black circle "①" = # of components

\* – Optional equipment

# Working Weights

Based on basic crane including Isuzu AH–6HK1X diesel engine, turntable bearing, live mast, 12 part boom hoist reeving, backstops, crawler lower with 36 in (0.91m) wide track shoes, sealed track rollers, and catwalks, plus the following:	Ctwt "A"	Ctwt "AB"	Ctwt "ABC" + "A" Lower Ctwt	
	lb (kg)	lb (kg)	lb (kg)	
Lifting crane – includes 40 ft (12.19m) basic tube, self assembly cylinder, 870 ft (265.18m) of 26mm type "DB" hoist rope, 650 ft (198.12m) of 26mm type "RB" hoist rope, 110 Ton (99.8mt) 4–sheave hook block, and basic pendants.	130,458 (59 174)	149,198 (67 675)	190,058 (86 209)	
Ground Bearing Pressure	psi	8.10	9.27	11.80
	kg/cm <sup>2</sup>	0.57	0.65	0.83



# Transport Weights

Base Crane: Rigid Boom Backstops, 110 gal (416L) Of Fuel, Side Frames, 22' (6.7m) Live Mast, 12-part Boom Hoist Reeving, 870' (265.18m) Of Type "DB" Front Hoist Rope, 650' (198.12m) Of Type "RB" Rear Hoist Rope.

Item Description	Gross Weight		Transport Loads			
	lb	kg	#1	#2	#3	#4
<b>Base Crane</b>	97,037	44 016	1			
Base Counterweight	25,260	11 458		1		
Add Upper Counterweight Wing (Right)	9,410	4 268			2	
Add Upper Counterweight Wing (Left)	9,370	4 250		1	1	
Add Side Frame Counterweight	11,100	5 035				2
Add Lower Jacking System	5,962	2 704				
Add Hydraulic Third Drum Without Rope	1,850	839				
Add Hydraulic Fourth Drum Without Rope	4,367	1 981				
Add 20' (6.1m) Tube Base Section	1,991	903	1			
Add 20' (6.1m) Tube Top Section	2,309	1 047				1
Add 10' (3.05m) Tube Extension With Pins And Pendants	601	273		1		
Add 20' (6.1m) Tube Extension With Pins And Pendants	1,309	594		2		
Add 30' (9.14m) Tube Extension With Pins and Pendants	1,826	828			1	1
Add 40' (12.19m) Tube Extension With Pins And Pendants	2,312	1 049			1	1
Add 20' (6.1m) Angle Base Section	3,174	1 440				
Add 20' (6.1m) Angle Top Section	3,835	1 740				
Add 10' (3.05m) Angle Extension With Pins And Pendants	1,281	581				
Add 20' (6.1m) Angle Extension With Pins And Pendants	2,330	1 057				
Add 30' (9.14m) Angle Extension With Pins and Pendants	3,126	1 418				
Add Self Assembly	480	218	1			
Add Tagline Winder With Rope	1,040	472				
Add Fairleader	500	227				
Add 30' (9.1m) Tube Jib	690	313		1		
Add 15' (4.6m) Tube Jib Extension	270	122		3		
Add Auxiliary Tip Extension	640	290				
Add Pile Driver Lead Adaptor	198	90				
Add Holding Rope – 26mm X 220' Type "DB"	352	160				
Add Closing Rope – 26mm X 165' Type "DB"	444	201				
Add Inhaul Rope – 26mm X 80' Type "M"	185	84				
Add Hoist Rope – 26mm X 700' Type "DB"	1,295	587				
Add Hoist Rope – 26mm X 700' Type "CC"	1,421	645				
Add Jib Wire Rope – 1" X 700' Type "DB"	1,295	597				
Add 3rd Drum Wire Rope – 0.75" X 550' Type "DB"	572	259				
Add 4th Drum Wire Rope – 0.75" X 550' Type "DB"	1,314	596				
Add 15-ton (13.6mt) Hook Ball – Non Swivel	750	340				
Add 15-ton (13.6mt) Hook Ball – Swivel	760	345				
Add 110-ton (99.8mt) 4 Sheave Hook Block	2,975	1 349				
Remove Front Hoist Rope – 26mm X 870' Type "DB"	-1,610	-730				
Remove Jib Wire Rope – 26mm X 650' Type "RB"	-1,300	-590				
Remove 50 gal (190L) Of Fuel	-362	-164				
<b>Approximate Total Shipping Weight</b>	<b>lb</b>		<b>99,508</b>	<b>39,349</b>	<b>32,248</b>	<b>28,647</b>
	<b>kg</b>		<b>45 137</b>	<b>17 849</b>	<b>14 628</b>	<b>12 994</b>

#### Notes:

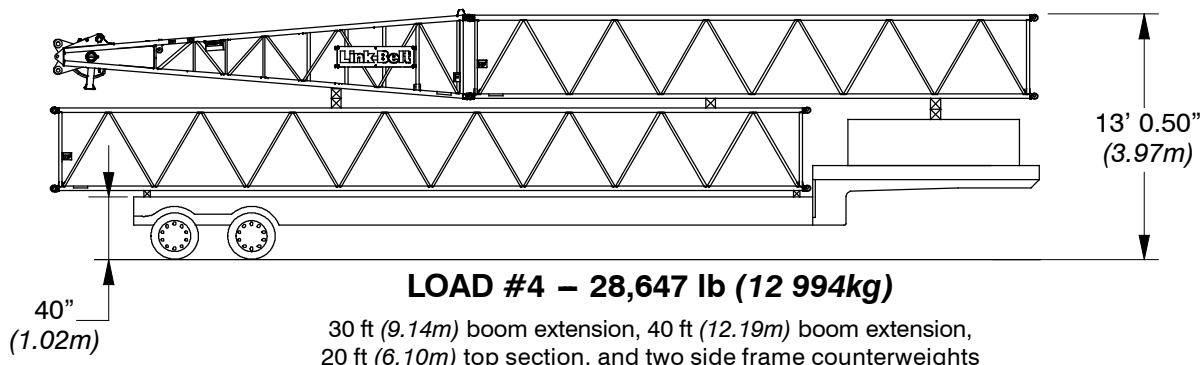
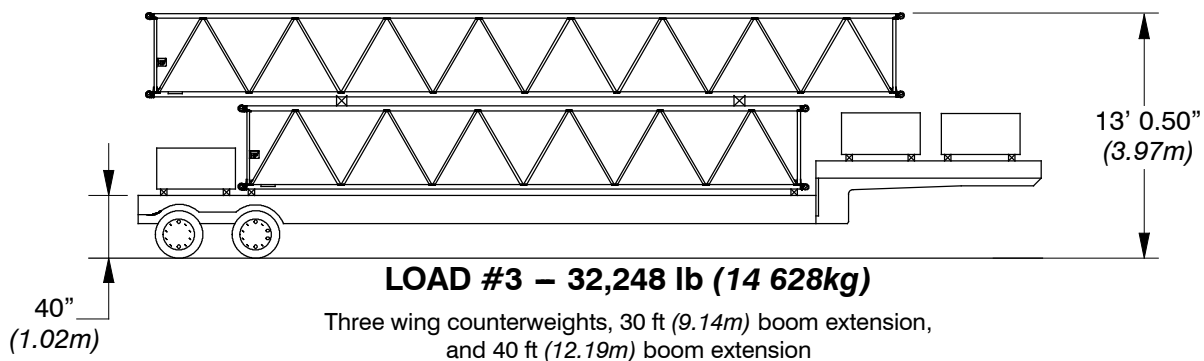
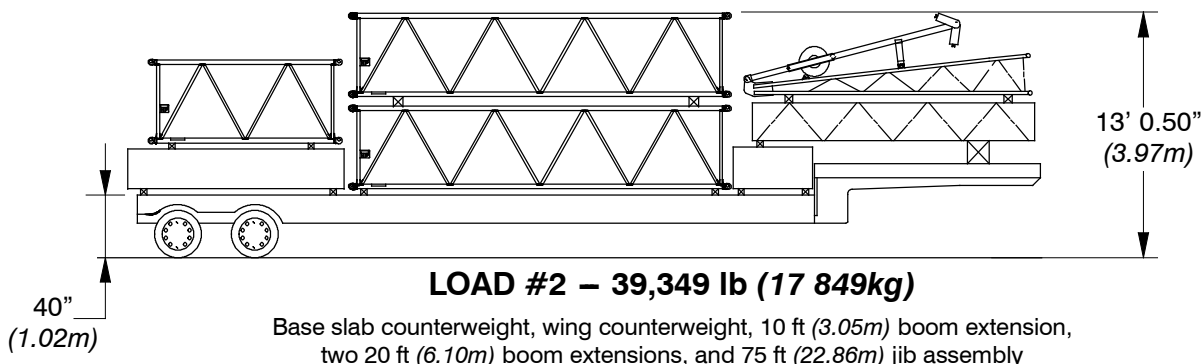
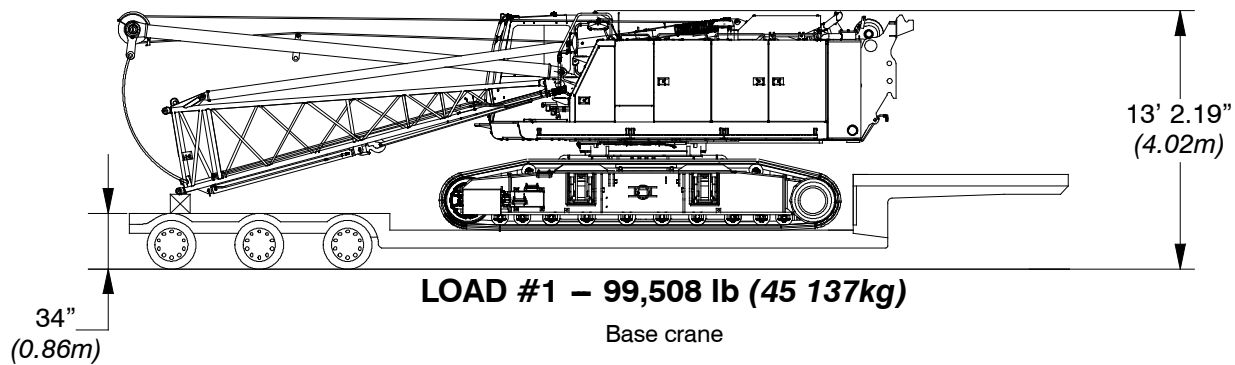
Estimated weights vary by  $\pm 2\%$ . Numbers in the load columns (numbers 1–5) represent quantities.

Estimated transport loads assume the load out consist of 230' (70.1m) of tube boom and 75' (22.86m) of jib with full counterweight.

Support loads were targeted at 45,000 lb (20 412kg), 8' 6" (2.6m) wide, 48' (14.6m) long, and 13' 6" (4.1m) high using a drop deck trailer. This may vary depending on state laws, empty truck/trailer weights, and style of trailer.



# Transport Drawings – Tube Boom





# Load Hoist Performance

## Front or Rear Drum – 26mm Wire Rope

Rope Layer	Maximum Line Pull		No Load Line Speed		Full Load Line Speed		Pitch Diameter		Layer		Total	
	lb	kg	ft/min	m/min	ft/min	m/min	in	mm	ft	m	ft	m
1	44,565	20 214	348	106	72	22	22.8	580	137.5	41.9	137.5	41.9
2	40,898	18 551	380	116	79	24	24.9	632	148.0	45.1	285.5	87.0
3	37,789	17 141	411	125	85	26	26.9	684	158.5	48.3	444.0	135.3
4	35,119	15 930	442	135	92	28	29.0	736	169.0	51.5	612.9	186.8
5	32,801	14 879	473	144	98	30	31.0	788	179.5	54.7	792.4	241.5
6	30,771	13 958	505	154	105	32	33.1	840	190.0	57.9	982.4	299.4
7	28,977	13 144	536	163	111	34	35.1	892	200.4	61.1	1 182.8	360.5

## Boom Hoist Drum – 20mm Wire Rope

Rope Layer	Maximum Line Pull		No Load Line Speed		Full Load Line Speed		Pitch Diameter		Layer		Total	
	lb	kg	ft/min	m/min	ft/min	m/min	in	mm	ft	m	ft	m
1	34,311	15 563	152	46	32	10	19.1	486	65.1	19.8	65.1	19.8
2	31,702	14 380	165	50	34	10	20.7	526	69.7	21.2	134.8	41.1
3	29,462	13 364	177	54	37	11	22.3	566	74.2	22.6	209.0	63.7
4	27,517	12 482	190	58	39	12	23.9	606	78.8	24.0	287.8	87.7
5	25,813	11 709	203	62	42	13	25.4	646	83.4	25.4	371.2	113.1
6	24,308	11 026	215	66	45	14	27.0	686	87.9	26.8	459.1	139.9
7	22,969	10 418	228	69	47	14	28.6	726	92.5	28.2	551.6	168.1

## Rear Mounted Fourth Drum – 26mm Wire Rope

Rope Layer	Maximum Line Pull		No Load Line Speed		Full Load Line Speed		Pitch Diameter		Layer		Total	
	lb	kg	ft/min	m/min	ft/min	m/min	in	mm	ft	m	ft	m
1	44,565	20 214	241	74	50	15	22.8	580	119.6	36.4	119.6	36.4
2	40,898	18 551	263	80	55	17	24.9	632	128.7	39.2	248.2	75.7
3	37,789	17 141	285	87	59	18	26.9	684	137.8	42.0	386.1	117.7
4	35,119	15 930	306	93	64	19	29.0	736	146.9	44.8	533.0	162.5
5	32,801	14 879	328	100	68	21	31.0	788	156.1	47.6	689.0	210.0

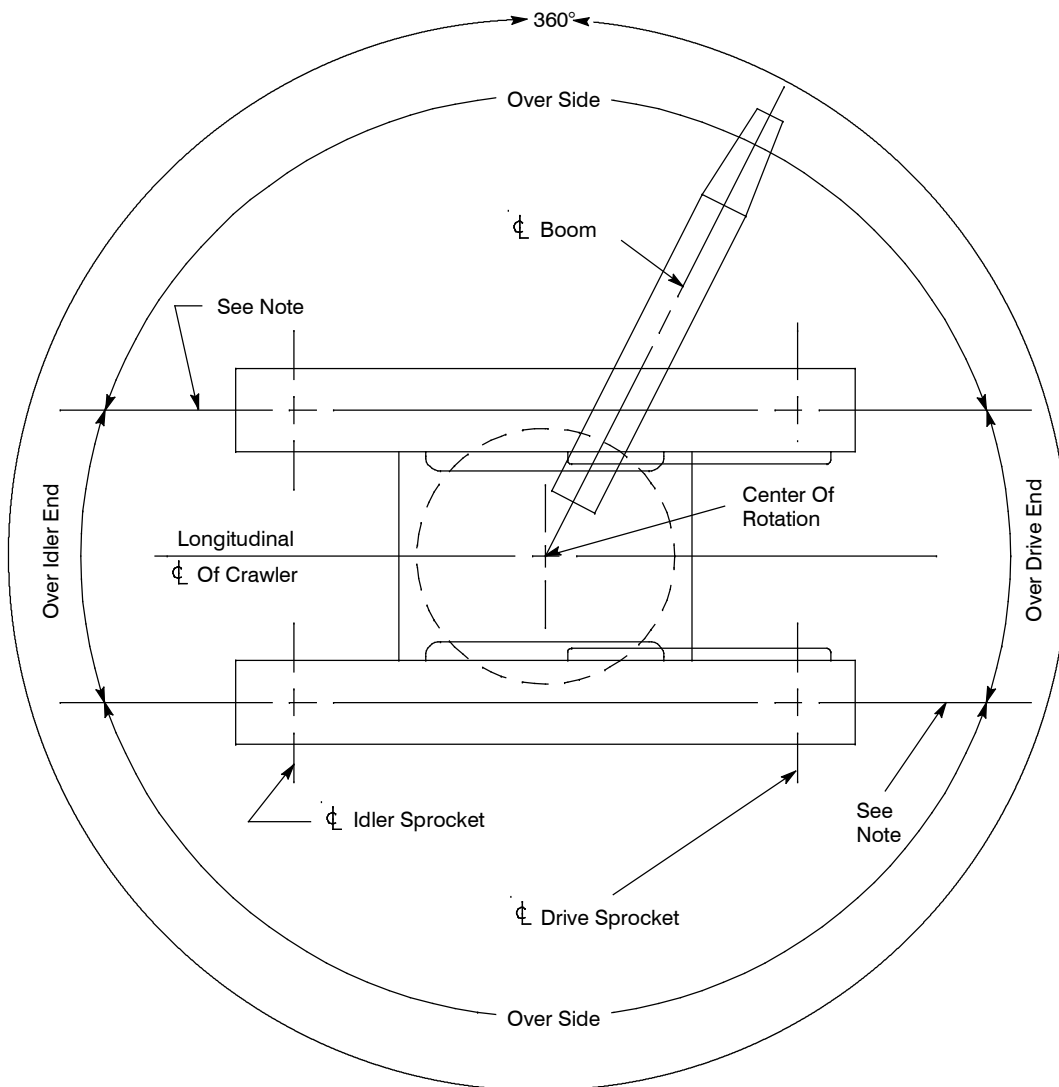
## Front Mounted Third Drum – 3/4" (19mm) Wire Rope

Rope Layer	Maximum Line Pull		No Load Line Speed		Full Load Line Speed		Pitch Diameter		Layer		Total	
	lb	kg	ft/min	m/min	ft/min	m/min	in	mm	ft	m	ft	m
1	23,000	10 433	160	48.8	102	31.1	13.5	343	80	24.4	80	24.4
2	20,700	9 390	178	54.3	114	34.7	15	381	89	27.1	169	51.5
3	18,820	8 537	196	59.7	125	38.1	16.5	419	98	29.9	267	81.4
4	17,250	7 825	214	65.2	137	41.8	18	457	107	32.6	374	114.0
5	15,925	7 224	232	70.7	148	45.1	19.5	495	116	35.4	490	149.4
6	14,785	6 706	249	75.9	160	48.8	21	533	124	37.8	614	187.1

Wire Rope Application	Diameter		Type	Max. Permissible Load		Wire Rope Descriptions
	in	mm		lb	kg	
Boom Hoist	--	20	DB	18,500	8 391	6 X 26 (6 X 19 Class), Warrington Seale, E.I.P.S., Preformed, Right Regular Lay, I.W.R.C.
Front Drum	--	26	DB	30,900	14 016	6 X 26 (6 X 19 Class), Warrington Seale, E.I.P.S., Preformed, Right Regular Lay, I.W.R.C.
Fourth Drum (Optional)	--	26	DB	30,900	14 016	6 X 26 (6 X 19 Class), Warrington Seale, E.I.P.S., Preformed, Right Regular Lay, I.W.R.C.
Rear Drum	--	26	RB	23,800	10 796	18 X 19 Rotation Resistant Compacted Strand – High Strength – Preformed, Right Regular Lay
Third Drum (Optional)	3/4	19	DB	16,800	7 620	6 X 26 (6 X 19 Class), Warrington Seale, E.I.P.S., Preformed, Right Regular Lay, I.W.R.C.



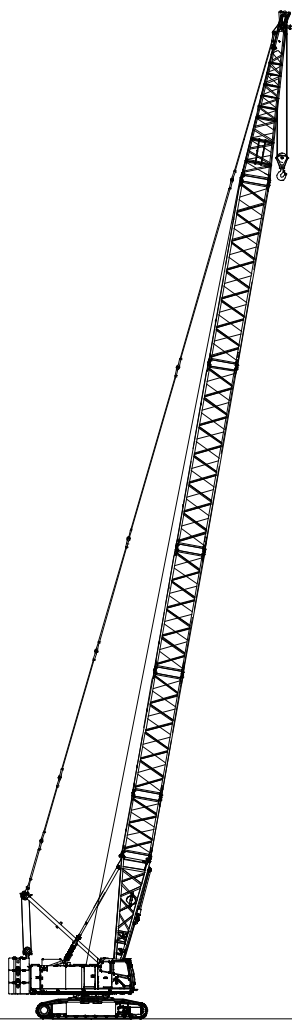
# Working Areas



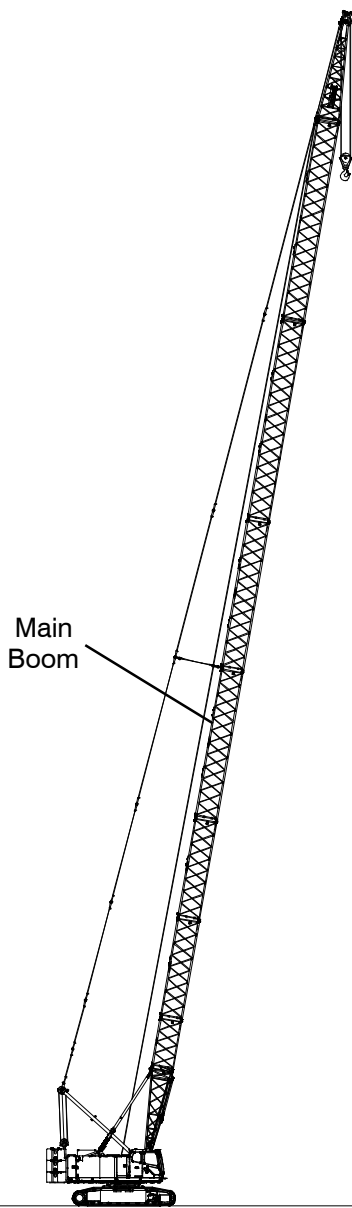
**Note:** These Lines Determine The Limiting Position Of Any Load For Operation Within Working Areas Indicated.



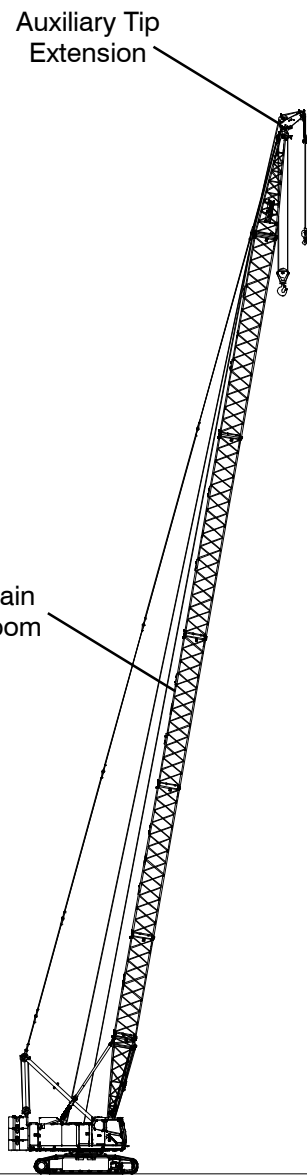
# Attachments



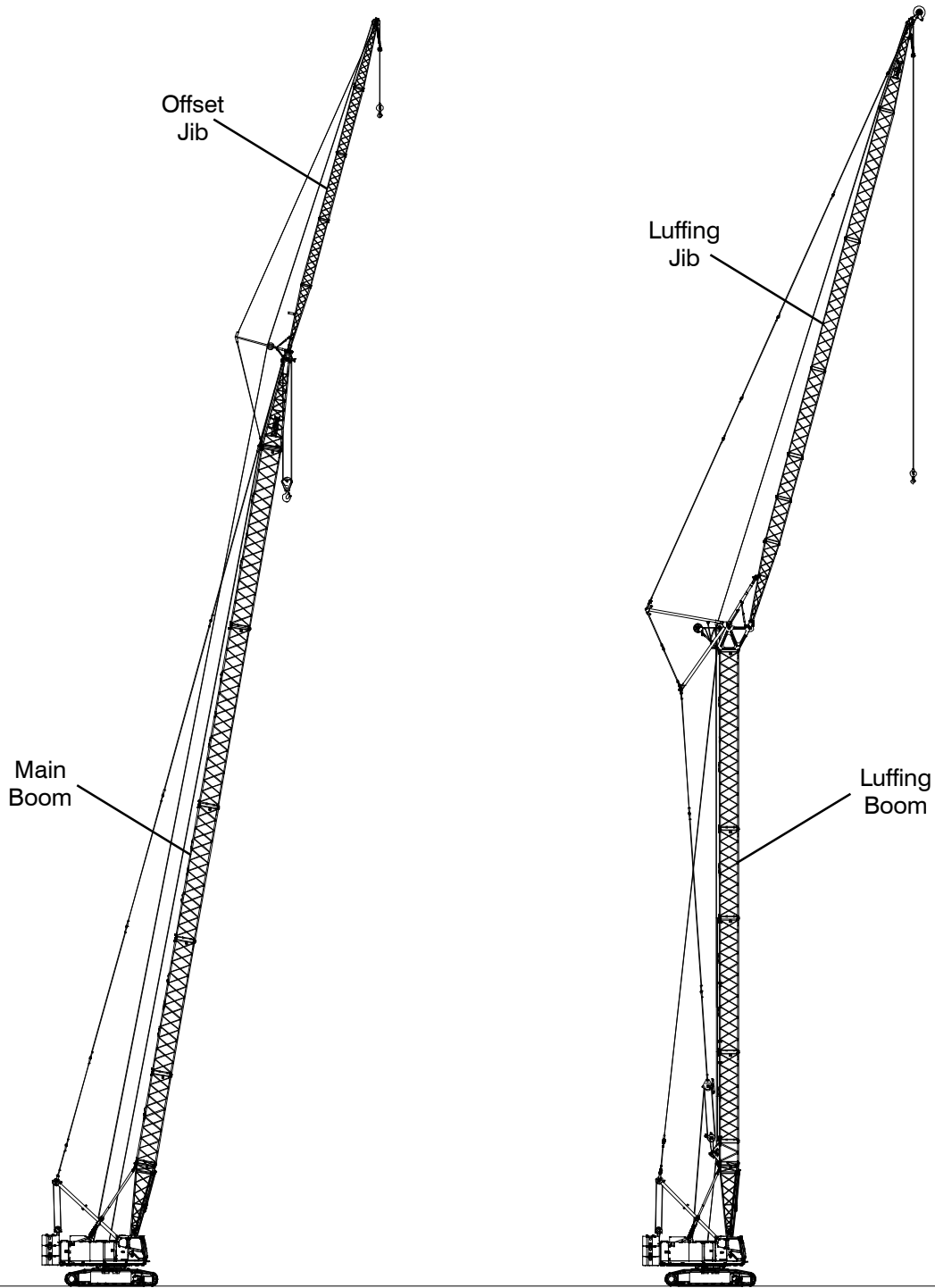
**45 – 155 ft (13.72 – 47.24m)  
Main Angle Boom**



**40 – 230 ft (12.19 – 70.10m)  
Main Tube Boom**



**40 – 200 ft (12.19 – 60.96m)  
Main Tube Boom With  
Auxiliary Tip Extension**



**40–200 ft (12.19–60.96m) Main  
Tube Boom With 30–75 ft  
(9.14–22.86m) Offset Jib**

**80–140 ft (24.38–42.67m)  
Luffing Boom + 50–140 ft  
(15.24–42.67m) Luffing Jib**





# Main Boom Make-up

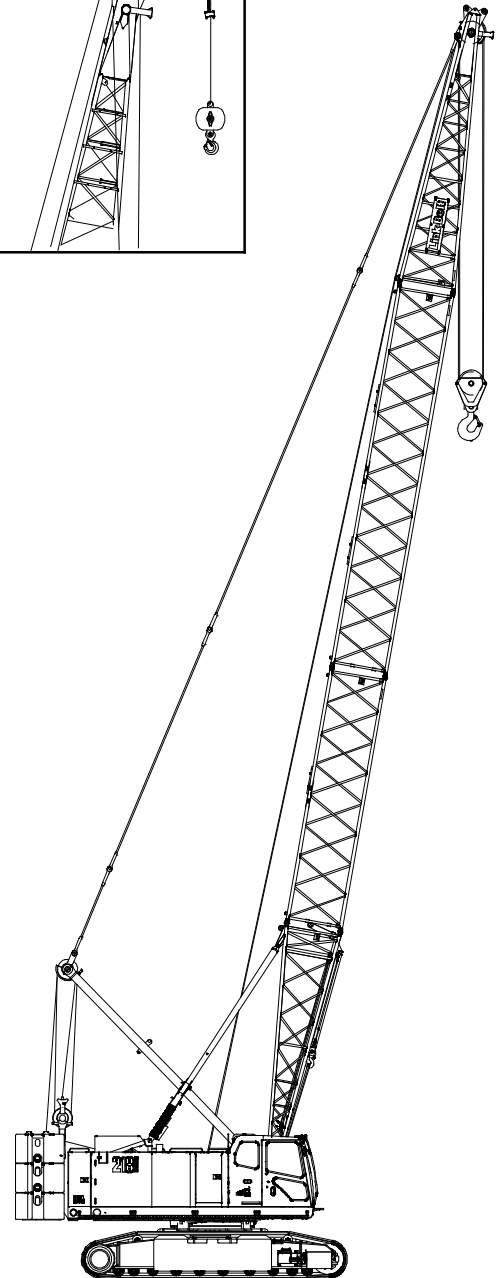
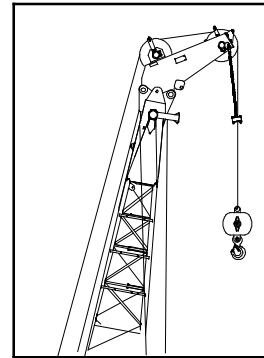
## Tube Boom Make-Up

Boom Length ft (m)	Tube Boom Extensions ft (m)			
	10 (3.05)	20 (6.14)	30 (9.10)	40 (12.19)
40 (12.19)				
50 (15.24)	1			
60 (18.29)		1		
70 (21.34)			1	
80 (24.38)				1
90 (27.43)	1			1
100 (30.48)		1		1
110 (33.53)			1	1
120 (36.58)				2
130 (39.62)	1			2
140 (42.67)		1		2
150 (45.72)			1	2
160 (48.77)	1		1	2
170 (51.82)		1	1	2
180 (54.86)	1	1	1	2
190 (57.91)	1		2	2
200 (60.96)		1	2	2
210 (64.01)	1	1	2	2
220 (67.06)		2	2	2
230 (70.10)	1	2	2	2

### Notes:

- Capacities shown are in kips/metric tons (1 kip = 1,000 lb / 1 metric ton = 0.45 kips) and are not more than 75% of the tipping loads with the crane standing level on firm supporting surface. A deduction must be made from these capacities for weight of hook block, hook ball, sling, grapple, load weighing device, etc. When using main hook while jib or tip extension is attached, reduce capacities by values shown in Crane Rating Manual. See Operator's Manual for all limitations when raising or lowering attachment.
- The capacities in the shaded areas are based on structural strength. The capacities in the non-shaded areas are based on stability ratings.
- For recommended reeving, parts of line, wire rope type, and wire rope inspection, see Wire Rope Capacity Chart, Operator's Manual, and Parts Manual.
- Load ratings are based on freely suspended loads and make no allowances for such factors as the effect of the wind, ground conditions, and operating speeds. The operator shall therefore reduce load ratings in order to take these conditions into account. Refer to the Crane Rating Manual for Wind Speed Restrictions.
- The 26 ft (7.92m) live mast must be used for all capacities listed.
- The least stable rated condition is over the side.
- Booms must be erected and lowered over the end for maximum stability.
- Main boom length must not exceed 230 ft (70.10m).

### Optional Auxiliary Tip Extension



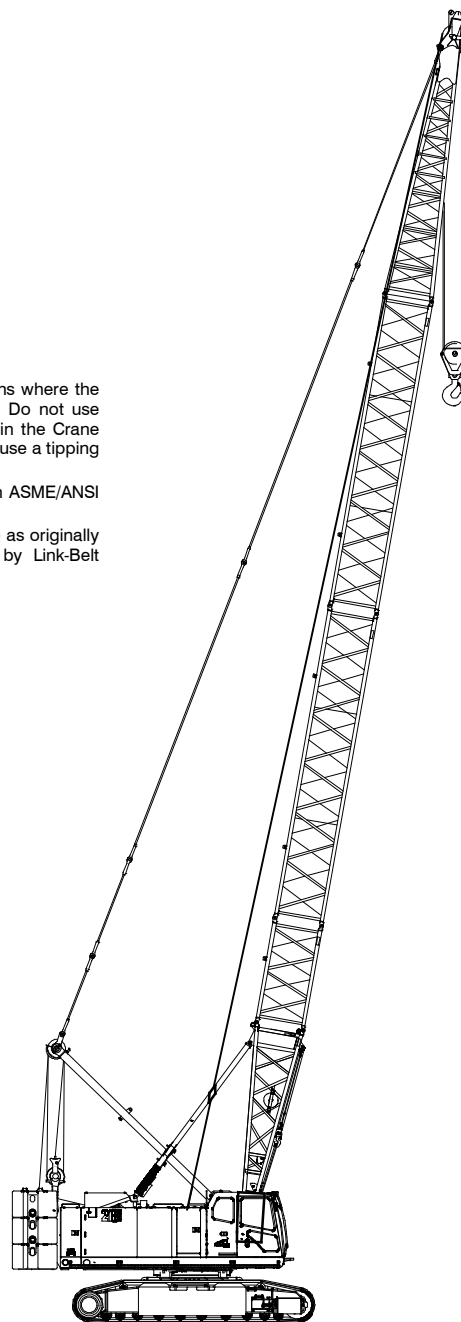


## Angle Boom Make–Up

Boom Length ft (m)	Angle Boom Extensions ft (m)		
	10 (3.05)	20 (6.14)	30 (9.10)
45 (13.72)			
55 (16.76)	1		
65 (19.81)		1	
75 (22.86)			1
85 (25.91)	1		1
95 (28.96)		1	1
105 (32.00)			2
115 (35.05)	1		2
125 (38.10)		1	2
135 (41.15)	1	1	2
145 (44.20)		2	2
155 (47.24)	1	2	2

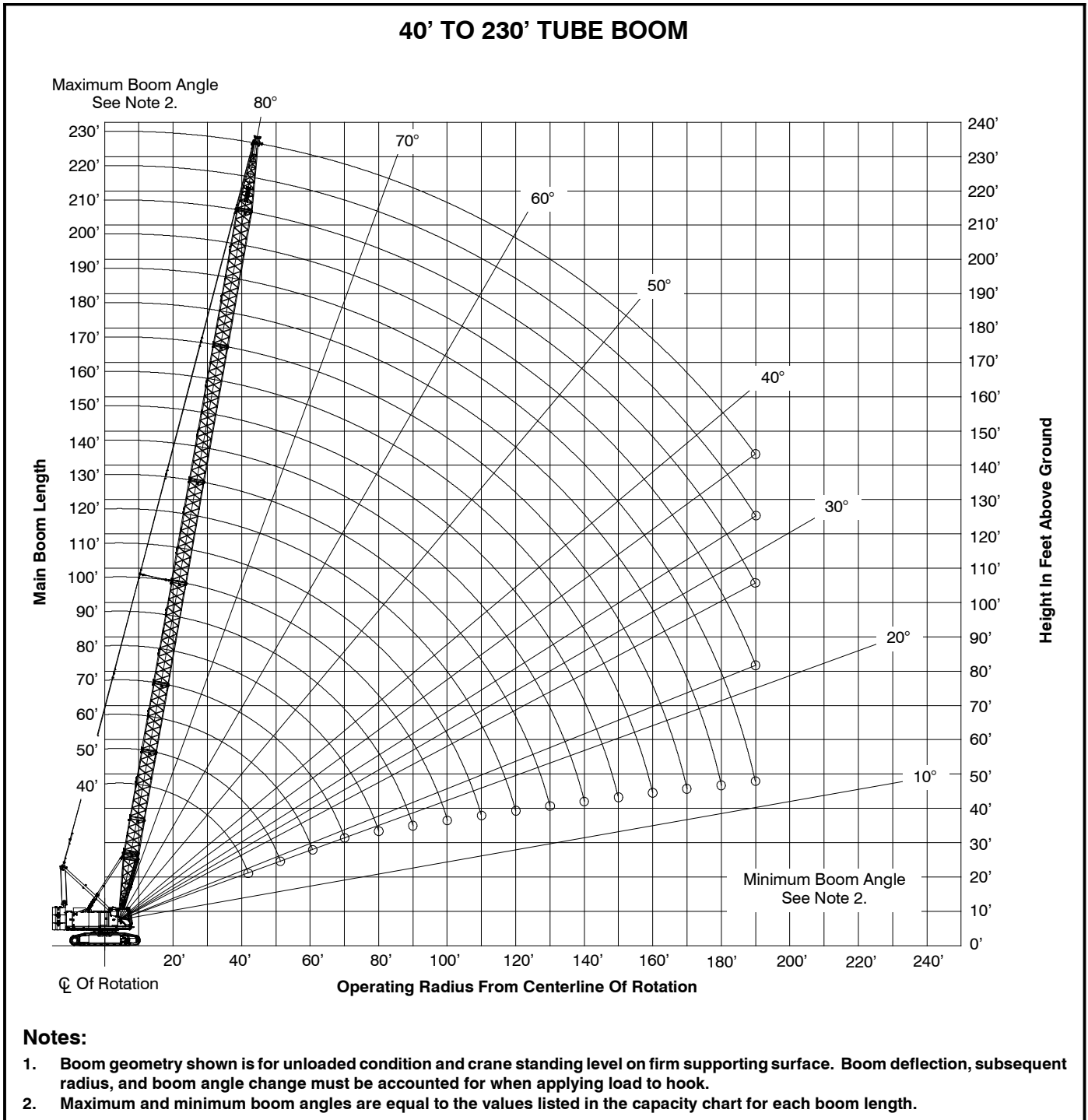
### Notes:

- Capacities shown are in kips/metric tons (1 kip = 1,000 lb / 1 metric ton = 0.45 kips) and are not more than 75% of the tipping loads with the crane standing level on firm supporting surface. A deduction must be made from these capacities for weight of hook block, hook ball, sling, grapple, load weighing device, etc. When using main hook while jib or tip extension is attached, reduce capacities by values shown in Crane Rating Manual. See Operator's Manual for all limitations when raising or lowering attachment.
- The capacities in the shaded areas are based on structural strength. The capacities in the non-shaded areas are based on stability ratings.
- For recommended reeving, parts of line, wire rope type, and wire rope inspection, see Wire Rope Capacity Chart, Operator's Manual, and Parts Manual.
- Load ratings are based on freely suspended loads and make no allowances for such factors as the effect of the wind, ground conditions, and operating speeds. The operator shall therefore reduce load ratings in order to take these conditions into account. Refer to the Crane Rating Manual for Wind Speed Restrictions.
- The 26 ft (7.92m) live mast must be used for all capacities listed.
- The least stable rated condition is over the side.
- Booms must be erected and lowered over the end for maximum stability.
- Main boom length must not exceed 155 ft (47.24m).
- Do not operate at radii and boom lengths where the Crane Rating Manual lists no capacity. Do not use longer booms or jibs than those listed in the Crane Rating Manual. Any of the above can cause a tipping condition, or boom and jib failure.
- These capacities are in compliance with ASME/ANSI B30.5 at date of manufacture.
- These capacities apply only to the crane as originally manufactured and normally equipped by Link-Belt Construction Equipment Company.



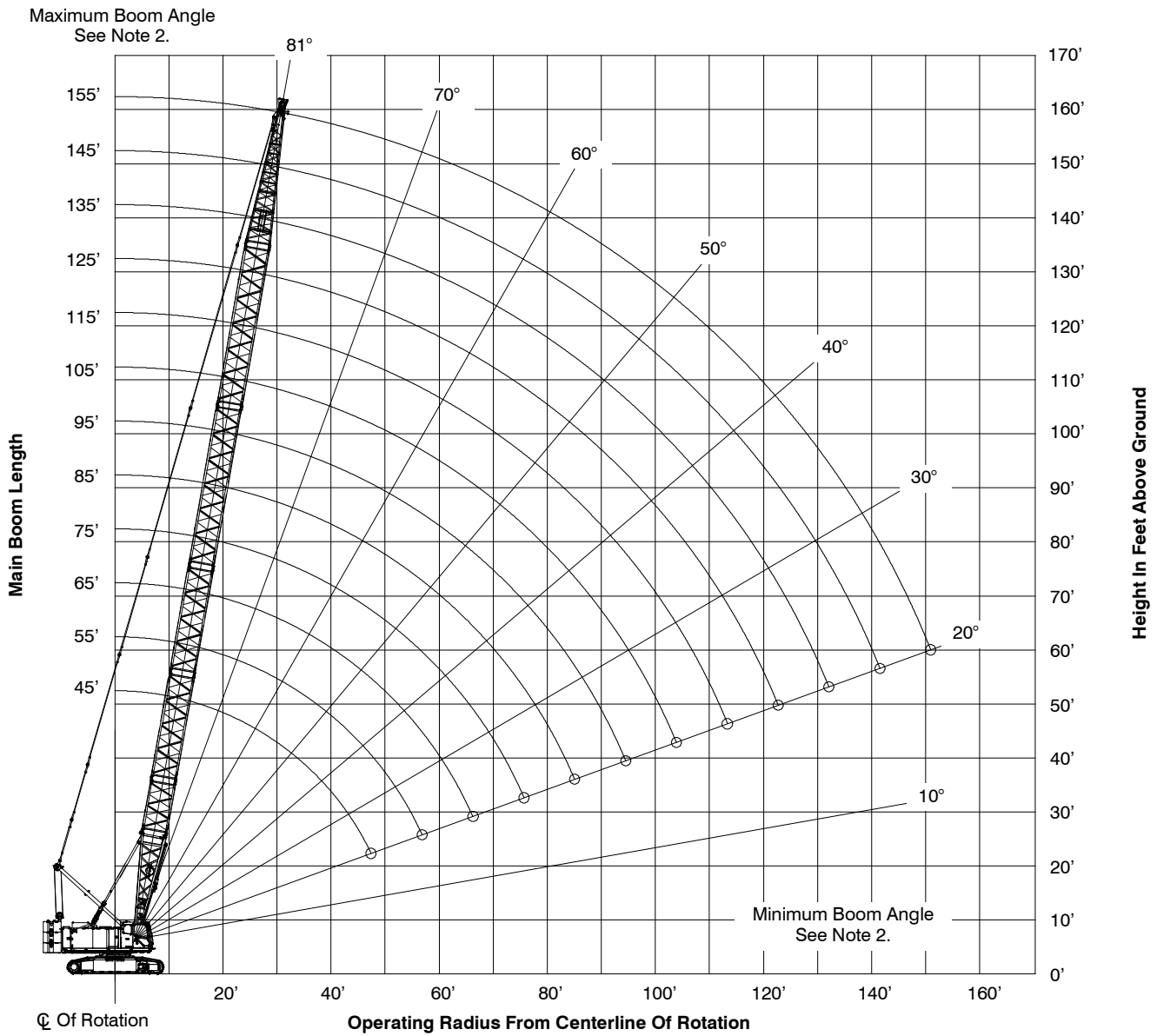


# Main Boom Working Range Diagram





### 45' TO 155' ANGLE BOOM



**Notes:**

1. Boom geometry shown is for unloaded condition and crane standing level on firm supporting surface. Boom deflection, subsequent radius, and boom angle change must be accounted for when applying load to hook.
2. Maximum and minimum boom angles are equal to the values listed in the capacity chart for each boom length.



# Main Boom Load Chart

Tube Boom Lift Capacity Chart – 360° Rotation ABC+A [62,820+22,200 lb (28 495+10 070kg)] Counterweight – Side Frames Extended [All capacities are listed in kips (mt)]										
Load Radius ft (m)	Boom Length – ft (m)									
	40 (12.2)	50 (15.2)	60 (18.3)	70 (21.3)	80 (24.4)	90 (27.4)	100 (30.5)	110 (33.5)	120 (36.6)	130 (39.6)
11 (3.4)	220.0 (99.8)									
12 (3.7)	208.4 (94.5)									
13 (4.0)	195.3 (88.6)									
14 (4.3)	183.4 (83.2)	183.4 (83.2)								
15 (4.6)	173.1 (78.5)	173.1 (78.5)	169.9 (77.1)							
16 (4.9)	163.7 (74.3)	163.7 (74.3)	163.7 (74.3)							
17 (5.2)	155.4 (70.5)	155.4 (70.5)	155.4 (70.5)	153.6 (69.7)						
18 (5.5)	147.7 (67.0)	147.7 (67.0)	147.7 (67.0)	147.7 (67.0)						
19 (5.8)	137.5 (62.4)	137.7 (62.5)	137.8 (62.5)	137.8 (62.5)	136.3 (61.8)					
20 (6.1)	126.6 (57.4)	126.7 (57.5)	126.8 (57.5)	126.8 (57.5)	126.7 (57.5)					
25 (7.6)	90.2 (40.9)	90.3 (41.0)	90.4 (41.0)	90.3 (41.0)	90.2 (40.9)	90.2 (40.9)	90.1 (40.9)	89.9 (40.8)		
30 (9.1)	69.8 (31.7)	69.9 (31.7)	69.9 (31.7)	69.9 (31.7)	69.8 (31.7)	69.7 (31.6)	69.5 (31.5)	69.4 (31.5)	69.3 (31.4)	69.1 (31.3)
35 (10.7)	56.7 (25.7)	56.8 (25.8)	56.8 (25.8)	56.8 (25.8)	56.7 (25.7)	56.5 (25.6)	56.4 (25.6)	56.3 (25.5)	56.1 (25.4)	55.9 (25.4)
40 (12.2)	47.6 (21.6)	47.7 (21.6)	47.7 (21.6)	47.6 (21.6)	47.5 (21.5)	47.4 (21.5)	47.3 (21.5)	47.1 (21.4)	47.0 (21.3)	46.8 (21.2)
50 (15.2)		35.8 (16.2)	35.9 (16.3)	35.8 (16.2)	35.7 (16.2)	35.6 (16.1)	35.4 (16.1)	35.2 (16.0)	35.1 (15.9)	34.9 (15.8)
60 (18.3)			28.5 (12.9)	28.4 (12.9)	28.3 (12.8)	28.2 (12.8)	28.0 (12.7)	27.9 (12.7)	27.7 (12.6)	27.5 (12.5)
70 (21.3)				23.3 (10.6)	23.3 (10.6)	23.1 (10.5)	23.0 (10.4)	22.8 (10.3)	22.7 (10.3)	22.5 (10.2)
80 (24.4)					19.6 (8.9)	19.5 (8.8)	19.3 (8.8)	19.2 (8.7)	19.0 (8.6)	18.8 (8.5)
90 (27.4)						16.7 (7.6)	16.5 (7.5)	16.4 (7.4)	16.2 (7.3)	16.0 (7.3)
100 (30.5)							14.3 (6.5)	14.2 (6.4)	14.0 (6.4)	13.8 (6.3)
110 (33.5)								12.4 (5.6)	12.3 (5.6)	12.1 (5.5)
120 (36.6)									10.8 (4.9)	10.6 (4.8)
130 (39.6)										9.4 (4.3)

This material is supplied for reference use only. Operator must refer to in-cab Crane Rating Manual and Operator's Manual to determine allowable crane lifting capacities and assembly and operating procedures.



Tube Boom Lift Capacity Chart – 360° Rotation ABC+A [62,820+22,200 lb (28 495+10 070kg)] Counterweight – Side Frames Extended [All capacities are listed in kips (mt)]										
Load Radius ft (m)	Boom Length – ft (m)									
	140 (42.7)	150 (45.7)	160 (48.8)	170 (51.8)	180 (54.9)	190 (57.9)	200 (61.0)	210 (64.0)	220 (67.1)	230 (70.1)
25 (7.6)										
30 (9.1)	69.0 (31.3)									
35 (10.7)	55.8 (25.3)	55.6 (25.2)	55.5 (25.2)	55.3 (25.1)						
40 (12.2)	46.6 (21.1)	46.5 (21.1)	46.3 (21.0)	46.1 (20.9)	45.9 (20.8)	45.8 (20.8)	43.1 (19.6)			
50 (15.2)	34.7 (15.7)	34.5 (15.6)	34.4 (15.6)	34.2 (15.5)	34.0 (15.4)	33.8 (15.3)	33.6 (15.2)	33.4 (15.2)	31.3 (14.2)	26.6 (12.1)
60 (18.3)	27.3 (12.4)	27.1 (12.3)	27.0 (12.2)	26.8 (12.2)	26.6 (12.1)	26.4 (12.0)	26.2 (11.9)	26.0 (11.8)	24.4 (11.1)	23.5 (10.7)
70 (21.3)	22.3 (10.1)	22.1 (10.0)	21.9 (9.9)	21.7 (9.8)	21.5 (9.8)	21.3 (9.7)	21.1 (9.6)	20.9 (9.5)	20.7 (9.4)	20.5 (9.3)
80 (24.4)	18.6 (8.4)	18.4 (8.3)	18.2 (8.3)	18.0 (8.2)	17.8 (8.1)	17.6 (8.0)	17.4 (7.9)	17.2 (7.8)	17.0 (7.7)	16.8 (7.6)
90 (27.4)	15.8 (7.2)	15.7 (7.1)	15.5 (7.0)	15.3 (6.9)	15.1 (6.8)	14.9 (6.8)	14.7 (6.7)	14.4 (6.5)	14.2 (6.4)	14.0 (6.4)
100 (30.5)	13.7 (6.2)	13.5 (6.1)	13.3 (6.0)	13.1 (5.9)	12.9 (5.9)	12.7 (5.8)	12.5 (5.7)	12.2 (5.5)	12.0 (5.4)	11.8 (5.4)
110 (33.5)	11.9 (5.4)	11.7 (5.3)	11.5 (5.2)	11.3 (5.1)	11.1 (5.0)	10.9 (4.9)	10.7 (4.9)	10.5 (4.8)	10.3 (4.7)	10.0 (4.5)
120 (36.6)	10.4 (4.7)	10.3 (4.7)	10.1 (4.6)	9.9 (4.5)	9.7 (4.4)	9.5 (4.3)	9.2 (4.2)	9.0 (4.1)	8.8 (4.0)	8.6 (3.9)
130 (39.6)	9.2 (4.2)	9.0 (4.1)	8.8 (4.0)	8.6 (3.9)	8.4 (3.8)	8.2 (3.7)	8.0 (3.6)	7.8 (3.5)	7.6 (3.4)	7.4 (3.4)
140 (42.7)	8.2 (3.7)	8.0 (3.6)	7.8 (3.5)	7.6 (3.4)	7.4 (3.4)	7.2 (3.3)	7.0 (3.2)	6.8 (3.1)	6.5 (2.9)	6.3 (2.9)
150 (45.7)		7.1 (3.2)	6.9 (3.1)	6.7 (3.0)	6.5 (2.9)	6.3 (2.9)	6.1 (2.8)	5.9 (2.7)	5.7 (2.6)	5.4 (2.4)
160 (48.8)			6.1 (2.8)	5.9 (2.7)	5.7 (2.6)	5.5 (2.5)	5.3 (2.4)	5.1 (2.3)	4.9 (2.2)	4.7 (2.1)
170 (51.8)				5.2 (2.4)	5.0 (2.3)	4.8 (2.2)	4.6 (2.1)	4.4 (2.0)	4.2 (1.9)	4.0 (1.8)
180 (54.9)					4.2 (1.9)	4.2 (1.9)	4.0 (1.8)	3.8 (1.7)	3.6 (1.6)	3.4 (1.5)
190 (57.9)						3.4 (1.5)	3.5 (1.6)	3.2 (1.5)	3.0 (1.4)	2.8 (1.3)
200 (61.0)							2.6 (1.2)	2.6 (1.2)	2.6 (1.2)	2.4 (1.1)
210 (64.0)										
220 (67.1)										
230 (70.1)										

This material is supplied for reference use only. Operator must refer to in-cab Crane Rating Manual and Operator's Manual to determine allowable crane lifting capacities and assembly and operating procedures.



Angle Boom Lift Capacity Chart – 360° Rotation ABC+A [62,820+22,200 lb (28 495+10 070kg)] Counterweight – Side Frames Extended [All capacities are listed in kips (mt)]												
Load Radius ft (m)	Boom Length – ft (m)											
	45.0 (13.7)	55.0 (16.8)	65.0 (19.8)	75.0 (22.9)	85.0 (25.9)	95.0 (29.0)	105.0 (32.0)	115.0 (35.1)	125.0 (38.1)	135.0 (41.1)	145.0 (44.2)	155.0 (47.2)
12 (3.7)	208.0 (94.3)											
13 (4.0)	194.9 (88.4)	194.9 (88.4)										
14 (4.3)	183.0 (83.0)	183.0 (83.0)										
15 (4.6)	172.8 (78.4)	172.8 (78.4)	172.8 (78.4)									
16 (4.9)	163.4 (74.1)	163.4 (74.1)	163.2 (74.0)									
17 (5.2)	155.2 (70.4)	154.7 (70.2)	154.0 (69.9)	153.3 (69.5)								
18 (5.5)	146.9 (66.6)	146.4 (66.4)	145.7 (66.1)	145.0 (65.8)	144.3 (65.5)							
19 (5.8)	139.4 (63.2)	138.9 (63.0)	138.3 (62.7)	137.6 (62.4)	136.9 (62.1)							
20 (6.1)	129.5 (58.7)	129.5 (58.7)	129.3 (58.6)	129.1 (58.6)	128.9 (58.5)	128.7 (58.4)						
25 (7.6)	91.8 (41.6)	91.7 (41.6)	91.5 (41.5)	91.2 (41.4)	91.0 (41.3)	90.7 (41.1)	90.4 (41.0)	90.1 (40.9)	89.7 (40.7)			
30 (9.1)	70.6 (32.0)	70.5 (32.0)	70.2 (31.8)	70.0 (31.8)	69.7 (31.6)	69.3 (31.4)	69.0 (31.3)	68.7 (31.2)	68.3 (31.0)	68.0 (30.8)	67.6 (30.7)	67.2 (30.5)
35 (10.7)	57.0 (25.9)	56.9 (25.8)	56.6 (25.7)	56.3 (25.5)	56.0 (25.4)	55.7 (25.3)	55.3 (25.1)	55.0 (24.9)	54.6 (24.8)	54.2 (24.6)	53.9 (24.4)	53.5 (24.3)
40 (12.2)	47.6 (21.6)	47.4 (21.5)	47.2 (21.4)	46.9 (21.3)	46.5 (21.1)	46.2 (21.0)	45.8 (20.8)	45.5 (20.6)	45.1 (20.5)	44.7 (20.3)	44.3 (20.1)	43.9 (19.9)
50 (15.2)		35.1 (15.9)	34.9 (15.8)	34.6 (15.7)	34.2 (15.5)	33.9 (15.4)	33.5 (15.2)	33.1 (15.0)	32.7 (14.8)	32.3 (14.7)	31.9 (14.5)	31.5 (14.3)
60 (18.3)			27.2 (12.3)	26.9 (12.2)	26.5 (12.0)	26.2 (11.9)	25.8 (11.7)	25.4 (11.5)	25.0 (11.3)	24.6 (11.2)	24.2 (11.0)	23.8 (10.8)
70 (21.3)				21.6 (9.8)	21.3 (9.7)	20.9 (9.5)	20.6 (9.3)	20.2 (9.2)	19.8 (9.0)	19.3 (8.8)	18.9 (8.6)	18.5 (8.4)
80 (24.4)					17.5 (7.9)	17.1 (7.8)	16.7 (7.6)	16.4 (7.4)	15.9 (7.2)	15.5 (7.0)	15.1 (6.8)	14.7 (6.7)
90 (27.4)						14.2 (6.4)	13.8 (6.3)	13.5 (6.1)	13.0 (5.9)	12.6 (5.7)	12.2 (5.5)	11.8 (5.4)
100 (30.5)							11.6 (5.3)	11.2 (5.1)	10.8 (4.9)	10.4 (4.7)	9.9 (4.5)	9.5 (4.3)
110 (33.5)								9.3 (4.2)	8.9 (4.0)	8.5 (3.9)	8.1 (3.7)	7.7 (3.5)
120 (36.6)									7.4 (3.4)	7.0 (3.2)	6.6 (3.0)	6.2 (2.8)
130 (39.6)										5.7 (2.6)	5.3 (2.4)	4.9 (2.2)
140 (42.7)											4.2 (1.9)	3.8 (1.7)

This material is supplied for reference use only. Operator must refer to in-cab Crane Rating Manual and Operator's Manual to determine allowable crane lifting capacities and assembly and operating procedures.

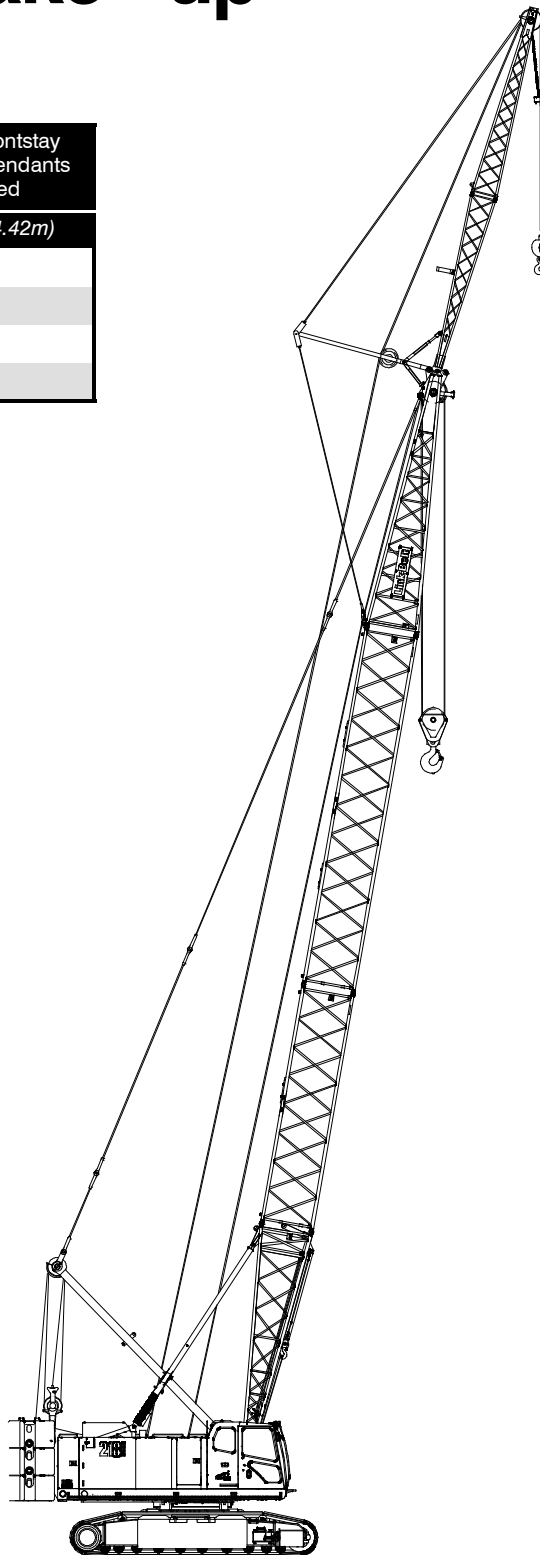


# Jib Attachment Make-up

Jib Length ft (m)	Jib Extensions	Basic Frontstay Pendants Required	Pairs Of Frontstay Extension Pendants Required
	15 ft (4.57 m)	63 ft 5 in (19.33m)	14 ft 6 in (4.42m)
30 (9.15)		1	
45 (13.72)	1	1	1
60 (18.29)	2	1	2
75 (22.86)	3	1	3

## Notes:

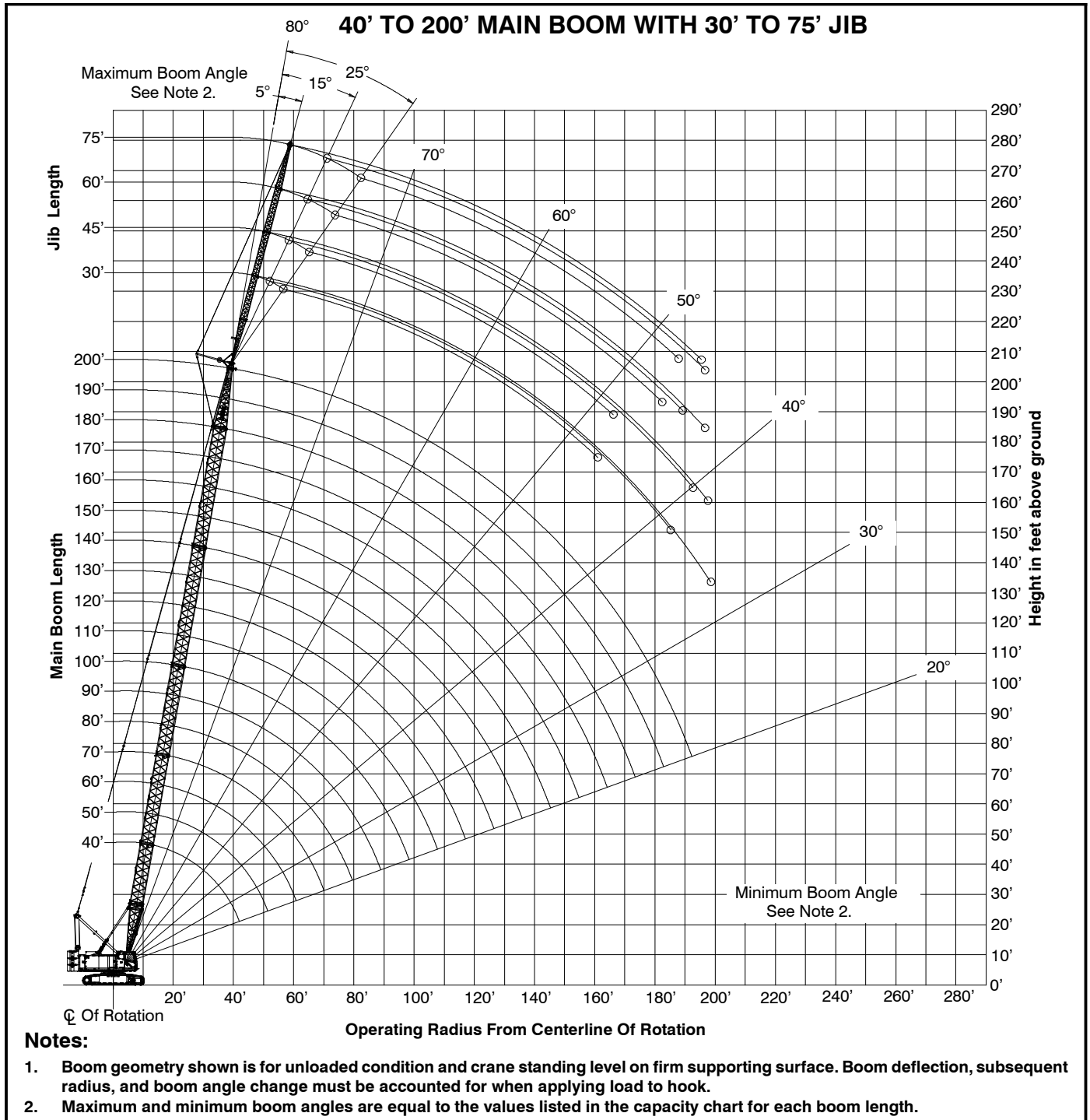
- Capacities shown are in kips/metric tons (1 kip = 1,000 lb / 1 metric ton = 0.45 kips) and are not more than 75% of the tipping loads with the crane standing level on a firm supporting surface.
- A deduction must be made from these capacities for the weight of the main boom hook block or hook ball, jib hook block or hook ball, slings, grapples, load weighing devices, etc. When using main hook while jib is attached, reduce capacities by values shown in Crane Rating Manual. See Operator's Manual for all limitations when raising or lowering attachment.
- The capacities in the shaded areas are based on structural strength. The capacities in the non-shaded areas are based on stability ratings.
- Load ratings are based on freely suspended loads and make no allowances for such factors as the effect of the wind, ground conditions, and operating speeds. The operator shall therefore reduce load ratings in order to take these conditions into account. Refer to the Crane Rating Manual for Wind Speed Restrictions.
- These capacities are for "ABC+A" counterweight.
- These capacities are for 360° working areas.
- These capacities are for 30–75 ft (9.15–22.86m) jib lengths only.
- The jib cannot be used on boom lengths over 200 ft (60.96m).
- The least stable rated condition is over the side.
- These capacities are in compliance with ASME/ANSI B30.5 at date of manufacture.
- These capacities apply only to the crane as originally manufactured and normally equipped by Link-Belt Construction Equipment Company.







# Jib Attachment Working Range Diagram





# Jib Attachment Load Charts

30 ft (9.14m) Offset Jib Length – 360° Rotation – ABC+A [62,820+22,200 lb (28 495+10 070kg)] Counterweight [All capacities are listed in kips (mt)]																		
Load Radius ft (m)	5° Offset					Load Radius ft (m)	15° Offset					Load Radius ft (m)	25° Offset					
	Main Boom Length ft (m)						Main Boom Length ft (m)						Main Boom Length ft (m)					
	40 (12.2)	100 (30.5)	140 (42.7)	180 (54.9)	200 (61.0)		40 (12.2)	100 (30.5)	140 (42.7)	180 (54.9)	200 (61.0)		40 (12.2)	100 (30.5)	140 (42.7)	180 (54.9)	200 (61.0)	
20 (6.1)	24.0 (10.8)					20 (6.1)						20 (6.1)						
25 (7.6)	24.0 (10.8)					25 (7.6)	24.0 (10.8)					25 (7.6)						
30 (9.1)	24.0 (10.8)					30 (9.1)	24.0 (10.8)					30 (9.1)	21.0 (9.5)					
35 (10.7)	24.0 (10.8)	24.0 (10.8)				35 (10.7)	24.0 (10.8)					35 (10.7)	19.1 (8.6)					
40 (12.2)	24.0 (10.8)	24.0 (10.8)	24.0 (10.8)			40 (12.2)	22.7 (10.2)	24.0 (10.8)				40 (12.2)	17.5 (7.9)	20.9 (9.4)				
50 (15.2)	22.7 (10.2)	24.0 (10.8)	24.0 (10.8)	24.0 (10.8)	24.0 (10.8)	50 (15.2)	19.5 (8.8)	24.0 (10.8)	24.0 (10.8)	24.0 (10.8)		50 (15.2)	15.1 (6.8)	18.8 (8.5)	20.2 (9.1)			
60 (18.3)	19.7 (8.9)	24.0 (10.8)	24.0 (10.8)	24.0 (10.8)	23.9 (10.8)	60 (18.9)	16.4 (7.4)	22.6 (10.2)	23.5 (10.6)	23.1 (10.4)	21.5 (9.7)	60 (18.9)	13.5 (6.1)	17.2 (7.8)	18.8 (8.5)	19.9 (9.0)	19.5 (8.8)	
70 (21.3)	16.6 (7.5)	21.3 (9.6)	20.5 (9.2)	19.6 (8.8)	19.1 (8.6)	70 (21.3)		21.6 (9.7)	20.8 (9.4)	20.0 (9.0)	19.6 (8.8)	70 (21.3)		15.9 (7.2)	17.5 (7.9)	18.7 (8.4)	18.6 (8.4)	
80 (24.4)		17.7 (8.0)	16.8 (7.6)	15.9 (7.2)	15.5 (7.0)	80 (24.8)		18.0 (8.1)	17.1 (7.7)	16.3 (7.3)	15.9 (7.2)	80 (24.8)		14.9 (6.7)	16.5 (7.4)	16.7 (7.5)	16.3 (7.3)	
90 (27.4)		15.0 (6.8)	14.1 (6.3)	13.2 (5.9)	12.7 (5.7)	90 (27.4)		15.2 (6.8)	14.3 (6.4)	13.5 (6.1)	13.1 (5.9)	90 (27.4)		14.0 (6.3)	14.6 (6.6)	13.8 (6.2)	13.4 (6.0)	
100 (30.5)		12.8 (5.8)	11.9 (5.3)	11.0 (4.9)	10.5 (4.7)	100 (30.5)		13.0 (5.8)	12.1 (5.4)	11.3 (5.1)	10.8 (4.8)	100 (30.5)		13.1 (5.9)	12.3 (5.5)	11.5 (5.2)	11.1 (5.0)	
110 (33.5)		11.1 (5.0)	10.2 (4.6)	9.2 (4.1)	8.8 (3.9)	110 (33.5)		11.2 (5.0)	10.4 (4.7)	9.5 (4.3)	9.0 (4.0)	110 (33.5)			10.5 (4.7)	9.7 (4.3)	9.3 (4.2)	
120 (36.6)		9.7 (4.3)	8.7 (3.9)	7.8 (3.5)	7.3 (3.3)	120 (36.6)			8.9 (4.0)	8.0 (3.6)	7.6 (3.4)	120 (36.6)				9.0 (3.7)	8.2 (3.5)	7.8 (3.5)
130 (39.6)			7.5 (3.4)	6.6 (2.9)	6.1 (2.7)	130 (39.6)			7.7 (3.4)	6.8 (3.0)	6.3 (2.8)	130 (39.6)				7.8 (3.5)	6.9 (3.1)	6.5 (2.9)
140 (42.7)			6.5 (2.9)	5.6 (2.5)	5.1 (2.3)	140 (42.7)			6.6 (2.9)	5.7 (2.5)	5.3 (2.4)	140 (42.7)					5.9 (2.6)	5.4 (2.4)
150 (45.7)			5.7 (2.5)	4.7 (2.1)	4.2 (1.9)	150 (45.7)				4.8 (2.1)	4.4 (1.9)	150 (45.7)					5.0 (2.2)	4.5 (2.0)
160 (48.8)			4.9 (2.2)	3.9 (1.7)	3.5 (1.5)	160 (48.8)				4.1 (1.8)	3.6 (1.6)	160 (48.8)					4.2 (1.9)	3.7 (1.6)
170 (51.8)				3.3 (1.4)	2.8 (1.2)	170 (51.8)				3.4 (1.5)	2.9 (1.3)	170 (51.8)						3.0 (1.3)
180 (54.9)				2.7 (1.2)	2.2 (0.9)	180 (54.9)				2.8 (1.2)	2.3 (1.0)	180 (54.9)						
190 (57.9)				2.2 (0.9)		190 (57.9)						190 (57.9)						

This material is supplied for reference use only. Operator must refer to in-cab Crane Rating Manual and Operator's Manual to determine allowable crane lifting capacities and assembly and operating procedures.



45 ft (13.72m) Offset Jib Length – 360° Rotation – ABC+A [62,820+22,200 lb (28 495+10 070kg)] Counterweight [All capacities are listed in kips (mt)]																	
5° Offset						15° Offset						25° Offset					
Load Radius ft (m)	Main Boom Length ft (m)					Load Radius ft (m)	Main Boom Length ft (m)					Load Radius ft (m)	Main Boom Length ft (m)				
	40 (12.2)	100 (30.5)	140 (42.7)	180 (54.9)	200 (61.0)		40 (12.2)	100 (30.5)	140 (42.7)	180 (54.9)	200 (61.0)		40 (12.2)	100 (30.5)	140 (42.7)	180 (54.9)	200 (61.0)
25 (7.6)	24.0 (10.8)					25 (7.6)						25 (7.6)					
30 (9.1)	24.0 (10.8)					30 (9.1)						30 (9.1)					
35 (10.7)	24.0 (10.8)	24.0 (10.8)				35 (10.7)	20.2 (9.1)					35 (10.7)					
40 (12.2)	22.7 (10.2)	24.0 (10.8)				40 (12.2)	17.7 (8.0)					40 (12.2)	13.4 (6.0)				
50 (15.2)	18.0 (8.1)	24.0 (10.8)	24.0 (10.8)	24.0 (10.8)		50 (15.2)	14.3 (6.4)	19.5 (8.8)	21.5 (9.7)			50 (15.2)	11.2 (5.0)	13.6 (6.1)			
60 (18.3)	14.6 (6.6)	22.3 (10.1)	22.5 (10.2)	22.4 (10.1)	20.2 (9.1)	60 (18.3)	11.9 (5.3)	16.9 (7.6)	19.1 (8.6)	18.8 (8.5)	18.4 (8.3)	60 (18.3)	9.7 (4.3)	12.2 (5.5)	13.3 (6.0)		
70 (21.3)	12.3 (5.5)	19.5 (8.8)	20.3 (9.2)	19.8 (8.9)	19.4 (8.7)	70 (21.3)	10.3 (4.6)	14.9 (6.7)	17.1 (7.7)	17.0 (7.7)	16.7 (7.5)	70 (21.3)	8.5 (3.8)	11.1 (5.0)	12.2 (5.5)	13.0 (5.8)	13.3 (6.0)
80 (24.4)	10.6 (4.8)	17.3 (7.8)	17.1 (7.7)	16.2 (7.3)	15.7 (7.1)	80 (24.4)	9.2 (4.1)	13.3 (6.0)	15.5 (7.0)	15.5 (7.0)	15.2 (6.8)	80 (24.4)		10.1 (4.5)	11.3 (5.1)	12.1 (5.4)	12.5 (5.6)
90 (27.4)		15.2 (6.8)	14.3 (6.4)	13.4 (6.0)	12.9 (5.8)	90 (27.4)		12.1 (5.4)	14.2 (6.4)	13.9 (6.3)	13.4 (6.0)	90 (27.4)		9.4 (4.2)	10.5 (4.7)	11.4 (5.1)	11.7 (5.3)
100 (30.5)		13.1 (5.9)	12.1 (5.4)	11.2 (5.0)	10.7 (4.8)	100 (30.5)		11.0 (4.9)	12.5 (5.6)	11.6 (5.2)	11.2 (5.0)	100 (30.5)		8.8 (3.9)	9.8 (4.4)	10.7 (4.8)	11.1 (5.0)
110 (33.5)		11.3 (5.1)	10.4 (4.7)	9.4 (4.2)	9.0 (4.0)	110 (33.5)		10.2 (4.6)	10.7 (4.8)	9.8 (4.4)	9.4 (4.2)	110 (33.5)		8.3 (3.7)	9.3 (4.2)	10.1 (4.5)	9.7 (4.3)
120 (36.6)		9.9 (4.4)	8.9 (4.0)	8.0 (3.6)	7.5 (3.4)	120 (36.6)		9.5 (4.3)	9.2 (4.1)	8.3 (3.7)	7.9 (3.5)	120 (36.6)			8.8 (3.9)	8.6 (3.9)	8.2 (3.7)
130 (39.6)		8.7 (3.9)	7.7 (3.4)	6.8 (3.0)	6.3 (2.8)	130 (39.6)		8.8 (3.9)	7.9 (3.5)	7.1 (3.2)	6.6 (2.9)	130 (39.6)			8.1 (3.6)	7.3 (3.3)	6.9 (3.1)
140 (42.7)			6.7 (3.0)	5.8 (2.6)	5.3 (2.4)	140 (42.7)			6.9 (3.1)	6.0 (2.7)	5.6 (2.5)	140 (42.7)			7.0 (3.1)	6.2 (2.8)	5.8 (2.6)
150 (45.7)			5.8 (2.6)	4.9 (2.2)	4.4 (1.9)	150 (45.7)			6.0 (2.7)	5.1 (2.3)	4.6 (2.0)	150 (45.7)				5.3 (2.4)	4.9 (2.2)
160 (48.8)			5.1 (2.3)	4.1 (1.8)	3.6 (1.6)	160 (48.8)			5.2 (2.3)	4.3 (1.9)	3.8 (1.7)	160 (48.8)				4.5 (2.0)	4.0 (1.8)
170 (51.8)			4.4 (1.9)	3.4 (1.5)	2.9 (1.3)	170 (51.8)				3.6 (1.6)	3.1 (1.4)	170 (51.8)				3.7 (1.6)	3.3 (1.4)
180 (54.9)				2.8 (1.2)	2.4 (1.0)	180 (54.9)				3.0 (1.3)	2.5 (1.1)	180 (54.9)					2.7 (1.2)
190 (57.9)				2.3 (1.0)		190 (57.9)				2.4 (1.0)	2.0 (0.9)	190 (57.9)					

This material is supplied for reference use only. Operator must refer to in-cab Crane Rating Manual and Operator's Manual to determine allowable crane lifting capacities and assembly and operating procedures.



60 ft (18.29m) Offset Jib Length – 360° Rotation – ABC+A [62,820+22,200 lb (28 495+10 070kg)] Counterweight [All capacities are listed in kips (mt)]														
5° Offset					15° Offset					25° Offset				
Load Radius ft (m)	Main Boom Length ft (m)				Load Radius ft (m)	Main Boom Length ft (m)				Load Radius ft (m)	Main Boom Length ft (m)			
	40 (12.2)	100 (30.5)	140 (42.7)	180 (54.9)		40 (12.2)	100 (30.5)	140 (42.7)	180 (54.9)		40 (12.2)	100 (30.5)	140 (42.7)	180 (54.9)
30 (9.1)	23.2 (10.5)				30 (9.4)					30 (9.1)				
35 (10.7)	22.1 (10.0)				35 (10.7)					35 (10.7)				
40 (12.2)	18.9 (8.5)	24.0 (10.8)			40 (12.2)	14.3 (6.4)				40 (12.2)				
50 (15.2)	14.6 (6.6)	21.6 (9.7)	22.1 (10.0)		50 (15.2)	11.5 (5.2)	14.6 (6.6)			50 (15.2)	8.9 (4.0)			
60 (18.3)	11.8 (5.3)	18.1 (8.2)	19.1 (8.6)	19.2 (8.7)	60 (18.3)	9.6 (4.3)	12.7 (5.7)	14.1 (6.3)		60 (18.3)	7.6 (3.4)	9.1 (4.1)		
70 (21.3)	9.9 (4.4)	15.4 (6.9)	16.8 (7.6)	17.0 (7.7)	70 (21.3)	8.2 (3.7)	11.2 (5.0)	12.6 (5.7)	13.8 (6.2)	70 (21.3)	6.6 (2.9)	8.2 (3.7)	8.8 (3.9)	
80 (24.4)	8.5 (3.8)	13.3 (6.0)	14.9 (6.7)	15.2 (6.8)	80 (24.4)	7.2 (3.2)	10.0 (4.5)	11.4 (5.1)	12.5 (5.6)	80 (24.4)	5.9 (2.6)	7.5 (3.4)	8.1 (3.6)	8.6 (3.9)
90 (27.4)	7.5 (3.4)	11.8 (5.3)	13.4 (6.0)	13.5 (6.1)	90 (27.4)	6.4 (2.9)	9.0 (4.0)	10.4 (4.7)	11.5 (5.2)	90 (27.4)	5.4 (2.4)	6.9 (3.1)	7.6 (3.4)	8.1 (3.6)
100 (30.5)		10.5 (4.7)	12.1 (5.4)	11.3 (5.1)	100 (30.5)		8.2 (3.7)	9.5 (4.3)	10.6 (4.8)	100 (30.5)		6.4 (2.9)	7.1 (3.2)	7.6 (3.4)
110 (33.5)		9.5 (4.3)	10.5 (4.7)	9.6 (4.3)	110 (33.5)		7.6 (3.4)	8.8 (3.9)	9.8 (4.4)	110 (33.5)		6.0 (2.7)	6.6 (2.9)	7.2 (3.2)
120 (36.6)		8.6 (3.9)	9.1 (4.1)	8.1 (3.6)	120 (36.6)		7.0 (3.1)	8.2 (3.7)	8.6 (3.9)	120 (36.6)		5.6 (2.5)	6.3 (2.8)	6.8 (3.0)
130 (39.6)		7.9 (3.5)	7.9 (3.5)	6.9 (3.1)	130 (39.6)		6.6 (2.9)	7.6 (3.4)	7.3 (3.3)	130 (39.6)		5.3 (2.4)	5.9 (2.6)	6.5 (2.9)
140 (42.7)		7.3 (3.3)	6.9 (3.1)	5.9 (2.6)	140 (42.7)		6.2 (2.8)	7.1 (3.2)	6.2 (2.8)	140 (42.7)			5.7 (2.5)	6.2 (2.8)
150 (45.7)		6.8 (3.0)	6.0 (2.7)	5.0 (2.2)	150 (45.7)			6.8 (3.0)	5.3 (2.4)	150 (45.7)			5.4 (2.4)	5.6 (2.5)
160 (48.8)			5.2 (2.3)	4.2 (1.9)	160 (48.8)			5.4 (2.4)	4.5 (2.0)	160 (48.8)			5.2 (2.3)	4.7 (2.1)
170 (51.8)			4.5 (2.0)	3.6 (1.6)	170 (51.8)			4.7 (2.1)	3.8 (1.7)	170 (51.8)				4.0 (1.8)
180 (54.9)			3.9 (1.7)	3.0 (1.3)	180 (54.9)				3.2 (1.4)	180 (54.9)				3.4 (1.5)
190 (57.9)				2.4 (1.0)	190 (57.9)				2.6 (1.1)	190 (57.9)				
200 (61.0)				2.0 (0.9)	200 (61.0)				2.1 (0.9)	200 (61.0)				

This material is supplied for reference use only. Operator must refer to in-cab Crane Rating Manual and Operator's Manual to determine allowable crane lifting capacities and assembly and operating procedures.

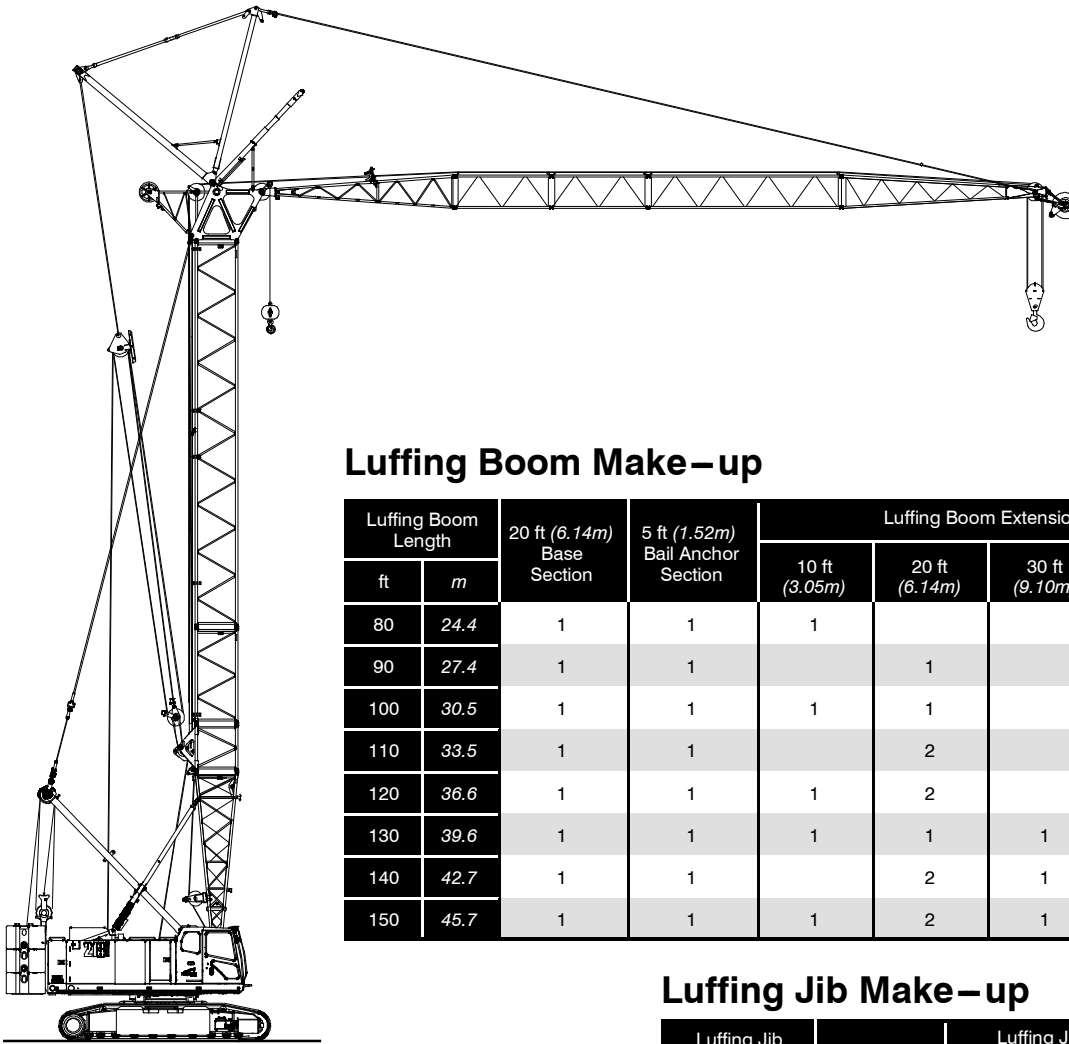


75 ft (22.86m) Offset Jib Length – 360° Rotation – ABC+A [62,820+22,200 lb (28 495+10 070kg)] Counterweight [All capacities are listed in kips (mt)]														
5° Offset					15° Offset					25° Offset				
Load Radius ft (m)	Main Boom Length ft (m)				Load Radius ft (m)	Main Boom Length ft (m)				Load Radius ft (m)	Main Boom Length ft (m)			
	40 (12.2)	100 (30.5)	140 (42.7)	180 (54.9)		40 (12.2)	100 (30.5)	140 (42.7)	180 (54.9)		40 (12.2)	100 (30.5)	140 (42.7)	180 (54.9)
35 (10.7)	18.6 (8.4)				35 (10.7)					35 (10.7)				
40 (12.2)	16.0 (7.2)				40 (12.2)					40 (12.2)				
50 (15.2)	12.4 (5.6)	17.5 (7.9)	18.6 (8.4)		50 (15.2)	9.7 (4.3)				50 (15.2)				
60 (18.3)	10.0 (4.5)	14.5 (6.5)	16.2 (7.3)	16.2 (7.3)	60 (18.3)	8.0 (3.6)	10.1 (4.5)			60 (18.3)	6.3 (2.8)			
70 (21.3)	8.4 (3.8)	12.3 (5.5)	14.2 (6.4)	14.4 (6.5)	70 (21.3)	6.8 (3.0)	8.8 (3.9)	9.8 (4.4)	10.6 (4.8)	70 (21.3)	5.4 (2.4)	6.4 (2.9)		
80 (24.4)	7.2 (3.2)	10.7 (4.8)	12.7 (5.7)	12.9 (5.8)	80 (24.4)	5.9 (2.6)	7.9 (3.5)	8.8 (3.9)	9.6 (4.3)	80 (24.4)	4.7 (2.1)	5.7 (2.5)	6.2 (2.8)	6.5 (2.9)
90 (27.4)	6.3 (2.8)	9.4 (4.2)	11.3 (5.1)	11.6 (5.2)	90 (27.4)	5.2 (2.3)	7.1 (3.2)	8.0 (3.6)	8.8 (3.9)	90 (27.4)	4.2 (1.9)	5.3 (2.4)	5.7 (2.5)	6.0 (2.7)
100 (30.5)	5.5 (2.4)	8.4 (3.8)	10.1 (4.5)	10.5 (4.7)	100 (30.5)	4.7 (2.1)	6.4 (2.9)	7.3 (3.3)	8.1 (3.6)	100 (30.5)	3.8 (1.7)	4.8 (2.1)	5.3 (2.4)	5.6 (2.5)
110 (33.5)	4.9 (2.2)	7.5 (3.4)	9.1 (4.1)	9.6 (4.3)	110 (33.5)		5.9 (2.6)	6.7 (3.0)	7.5 (3.4)	110 (33.5)		4.5 (2.0)	4.9 (2.2)	5.3 (2.4)
120 (36.6)		6.8 (3.0)	8.3 (3.7)	8.2 (3.7)	120 (36.6)		5.4 (2.4)	6.2 (2.8)	7.0 (3.1)	120 (36.6)		4.2 (1.9)	4.6 (2.0)	5.0 (2.2)
130 (39.6)		6.2 (2.8)	7.6 (3.4)	7.0 (3.1)	130 (39.6)		5.0 (2.2)	5.8 (2.6)	6.5 (2.9)	130 (39.6)		3.9 (1.7)	4.4 (1.9)	4.7 (2.1)
140 (42.7)		5.7 (2.5)	6.9 (3.1)	6.0 (2.7)	140 (42.7)		4.7 (2.1)	5.4 (2.4)	6.1 (2.7)	140 (42.7)		3.7 (1.6)	4.1 (1.8)	4.5 (2.0)
150 (45.2)		5.3 (2.4)	6.1 (2.7)	5.1 (2.3)	150 (45.2)		4.4 (1.9)	5.1 (2.3)	5.5 (2.4)	150 (45.2)			3.9 (1.7)	4.3 (1.9)
160 (48.8)		5.0 (2.2)	5.3 (2.4)	4.3 (1.9)	160 (48.8)			4.8 (2.1)	4.7 (2.1)	160 (48.8)			3.8 (1.7)	4.1 (1.8)
170 (51.8)			4.6 (2.0)	3.7 (1.6)	170 (51.8)			4.6 (2.0)	4.0 (1.8)	170 (51.8)			3.6 (1.6)	3.9 (1.7)
180 (54.9)			4.0 (1.8)	3.1 (1.4)	180 (54.9)			4.2 (1.9)	3.3 (1.4)	180 (54.9)				3.6 (1.6)
190 (57.9)			3.5 (1.5)	2.5 (1.1)	190 (57.9)			3.7 (1.6)	2.8 (1.2)	190 (57.9)				3.0 (1.3)
200 (61.0)			3.0 (1.3)	2.1 (0.9)	200 (61.0)				2.3 (1.0)	200 (61.0)				2.5 (1.1)

This material is supplied for reference use only. Operator must refer to in-cab Crane Rating Manual and Operator's Manual to determine allowable crane lifting capacities and assembly and operating procedures.



# Luffing Attachment Make-up



## Luffing Boom Make-up

Luffing Boom Length		20 ft (6.14m) Base Section	5 ft (1.52m) Bail Anchor Section	Luffing Boom Extensions				5 ft (1.52m) Top Section
				10 ft (3.05m)	20 ft (6.14m)	30 ft (9.10m)	40 ft (12.19m)	
80	24.4	1	1	1			1	
90	27.4	1	1		1		1	
100	30.5	1	1	1	1		1	
110	33.5	1	1		2		1	
120	36.6	1	1	1	2		1	
130	39.6	1	1	1	1	1	1	
140	42.7	1	1		2	1	1	
150	45.7	1	1	1	2	1	1	

## Luffing Jib Make-up

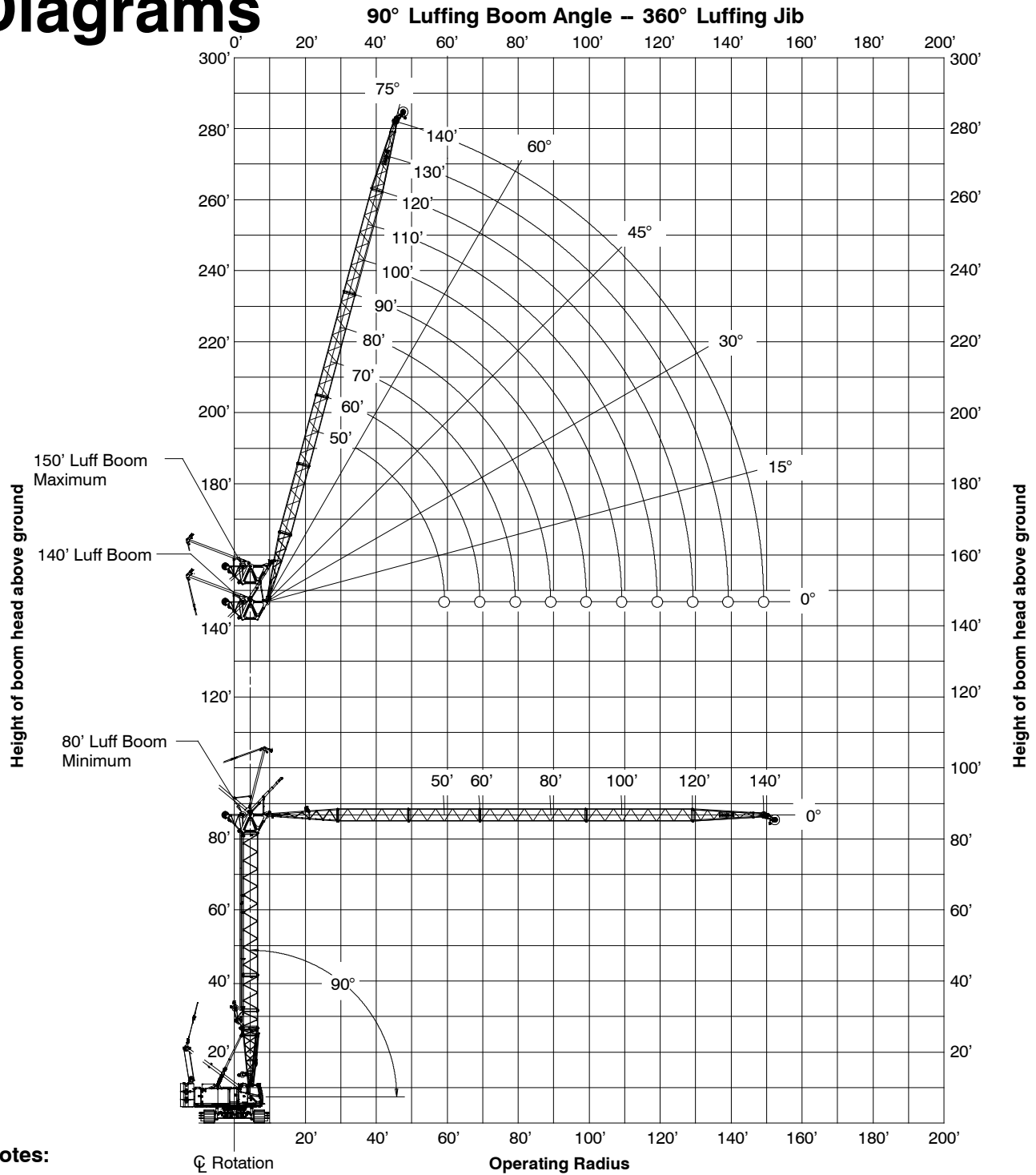
Luffing Jib Length		20 ft (6.14m) Base Section	Luffing Jib Extensions			20 ft (6.14m) Top Section
			10 ft (3.05m)	20 ft (6.14m)	30 ft (9.10m)	
50	15.2	1	1			1
60	18.3	1				1
70	21.3	1				1
80	24.4	1				1
90	27.4	1				1
100	30.5	1				1
110	33.5	1				1
120	36.6	1				1
130	39.6	1				1
140	42.7	1	2	1	2	1

### Notes:

- Capacities shown are in kips/metric tons (1 kip = 1,000 lb / 1 metric ton = 0.45 kips) and are not more than 75% of the tipping loads with the crane standing level on a firm supporting surface. A deduction must be made from these capacities for the weight of the hook block, hook ball, sling, grapple, load weighing devices, etc. When lifting from the luffing jib with the fixed jib installed, reduce capacities by values shown in the Crane Rating Manual. See Operator's Manual for all limitations when raising or lowering attachment.
- The capacities in the shaded areas are based on structural strength. The capacities in the non-shaded areas are based on stability ratings.
- All luffing attachment combinations require the maximum counterweight combination "ABC+A".
- Load ratings are based on freely suspended loads and make no allowances for such factors as the effect of the wind on load, ground conditions, and operating speeds. The operator shall therefore reduce load ratings in order to take these conditions into account. Refer to the Crane Rating Manual for Wind Speed Restrictions.
- Refer to the Crane Rating Manual for allowable attachment liftoff lengths and allowable working lengths at the various luffing boom angles.
- These capacities are in compliance with ASME/ANSI B30.5 at date of manufacture.
- These capacities apply only to the crane as originally manufactured and normally equipped by Link-Belt Construction Equipment Company.



# Luffing Attachment Working Range Diagrams

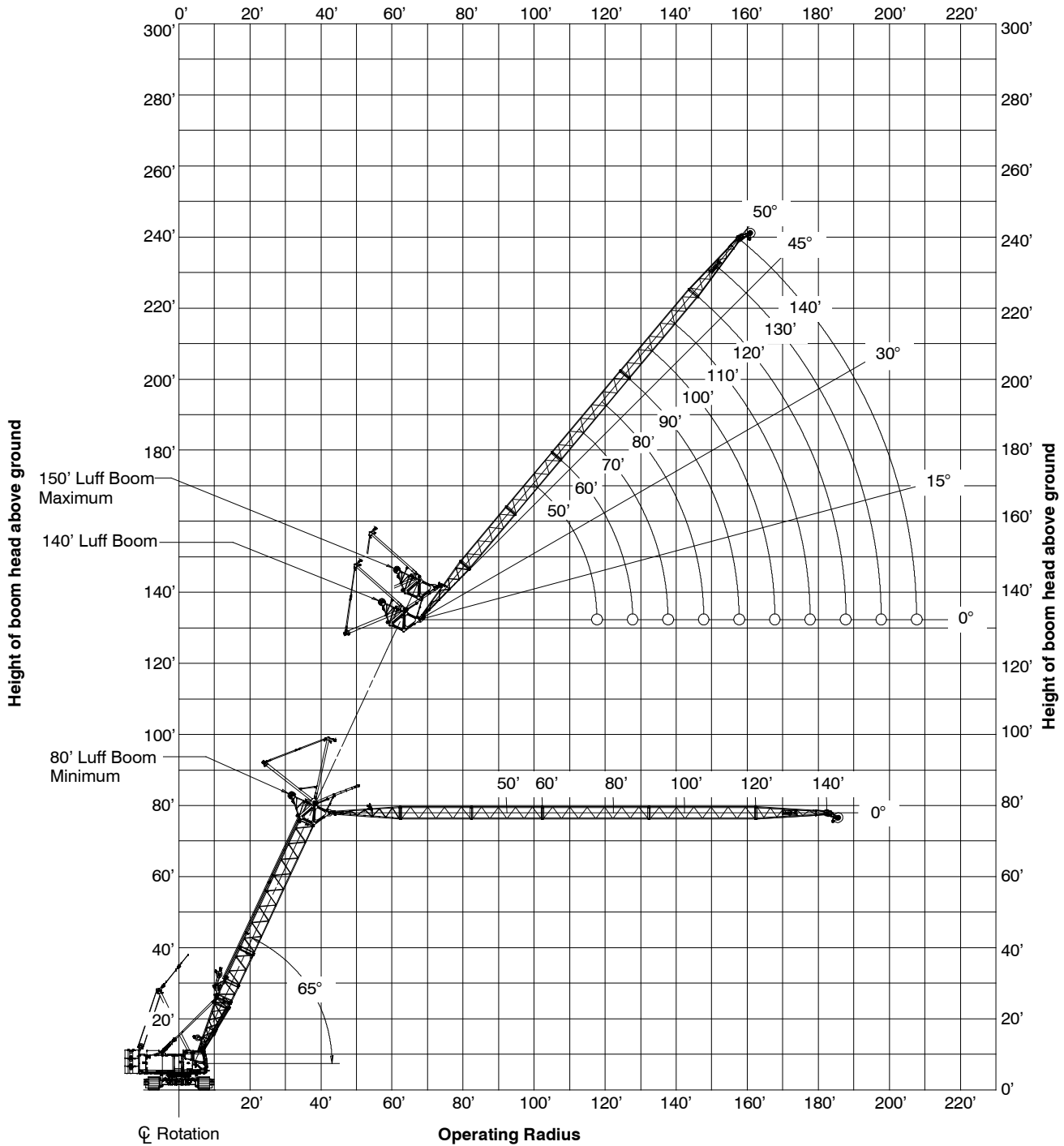


**Notes:**

1. Boom geometry shown is for unloaded condition and crane standing level on firm supporting surface. Boom deflection, subsequent radius, and boom angle change must be accounted for when applying load to hook.
2. Maximum and minimum boom angles are equal to the values listed in the capacity chart for each boom length.
3. Refer to the Capacity Charts for allowable luffing boom and luffing jib combinations.



### 65° Luffing Boom Angle – 360° Luffing Jib



#### Notes:

1. Boom geometry shown is for unloaded condition and crane standing level on firm supporting surface. Boom deflection, subsequent radius, and boom angle change must be accounted for when applying load to hook.
2. Maximum and minimum boom angles are equal to the values listed in the capacity chart for each boom length.
3. Refer to the Capacity Charts for allowable luffing boom and luffing jib combinations.





# Luffing Attachment Load Charts

**80 ft (24.4m) Luffing Boom Length – 360° Rotation – ABC+A [62,820+22,200 lb (28 495+10 070kg)] Counterweight  
[All capacities are listed in kips (m<sup>t</sup>)]**

50 ft (15.2m) Luffing Jib Length							100 ft (30.5) Luffing Jib Length							
Load Radius ft (m)	Luffing Boom Angle						Load Radius ft (m)	Luffing Boom Angle						
	90°	85°	80°	75°	70°	65°		90°	85°	80°	75°	70°	65°	
22 (6.7)	50.0 (22.7)						35 (10.7)	25.3 (11.5)						
25 (7.6)	46.2 (21.0)						40 (12.2)	23.9 (10.8)						
30 (9.1)	41.5 (18.8)						50 (15.2)	20.9 (9.5)	22.4 (10.2)					
40 (12.2)	36.2 (16.4)	38.9 (17.6)					60 (18.3)	18.4 (8.3)	19.9 (9.0)					
50 (15.2)	34.6 (15.7)	33.9 (15.4)	34.0 (15.4)				70 (21.3)	16.2 (7.3)	17.6 (8.0)	18.9 (8.6)				
60 (18.3)		28.4 (12.9)	27.3 (12.4)	26.2 (11.9)			80 (24.4)	14.3 (6.5)	15.6 (7.1)	16.8 (7.6)	17.6 (8.0)			
70 (21.3)			22.5 (10.2)	21.7 (9.8)	20.8 (9.4)		90 (27.4)	12.6 (5.7)	13.8 (6.3)	15.0 (6.8)	15.1 (6.8)			
80 (24.4)				18.3 (8.3)	17.6 (8.0)	16.8 (7.6)	100 (30.5)	11.0 (5.0)	12.2 (5.5)	13.3 (6.0)	13.2 (6.0)	12.5 (5.7)		
90 (27.4)						14.5 (6.6)	110 (33.5)		10.7 (4.9)	11.8 (5.4)	11.6 (5.3)	11.0 (5.0)	10.4 (4.7)	
							120 (36.6)			10.4 (4.7)	10.4 (4.7)	9.8 (4.4)	9.3 (4.2)	
							130 (39.6)				9.3 (4.2)	8.8 (4.0)	8.3 (3.8)	
							140 (42.7)						7.5 (3.4)	

This material is supplied for reference use only. Operator must refer to in-cab Crane Rating Manual and Operator's Manual to determine allowable crane lifting capacities and assembly and operating procedures.



<b>80 ft (24.4m) Luffing Boom Length – 360° Rotation – ABC+A [62,820+22,200 lb (28 495+10 070kg)] Counterweight</b> [All capacities are listed in kips (mt)]													
120 ft (36.6m) Luffing Jib Length							140 ft (42.7m) Luffing Jib Length						
Load Radius ft (m)	Luffing Boom Angle						Load Radius ft (m)	Luffing Boom Angle					
	90°	85°	80°	75°	70°	65°		90°	85°	80°	75°	70°	65°
40 (12.2)	19.5 (8.8)						50 (15.2)	13.9 (6.3)					
50 (15.2)	17.2 (7.8)						60 (18.3)	12.2 (5.5)					
60 (18.3)	15.2 (6.9)	16.3 (7.4)					70 (21.3)	10.8 (4.9)	11.6 (5.3)				
70 (21.3)	13.4 (6.1)	14.4 (6.5)					80 (24.4)	9.5 (4.3)	10.2 (4.6)				
80 (24.4)	11.8 (5.4)	12.8 (5.8)	13.7 (6.2)				90 (27.4)	8.2 (3.7)	9.0 (4.1)	9.6 (4.4)			
90 (27.4)	10.3 (4.7)	11.3 (5.1)	12.2 (5.5)	13.0 (5.9)			100 (30.5)	7.2 (3.3)	7.9 (3.6)	8.5 (3.9)	9.1 (4.1)		
100 (30.5)	9.0 (4.1)	10.0 (4.5)	10.9 (4.9)	11.6 (5.3)			110 (33.5)	6.2 (2.8)	6.9 (3.1)	7.5 (3.4)	8.1 (3.7)		
110 (33.5)	7.9 (3.6)	8.8 (4.0)	9.6 (4.4)	10.4 (4.7)	10.7 (4.9)		120 (36.6)	5.3 (2.4)	5.9 (2.7)	6.6 (3.0)	7.1 (3.2)	7.6 (3.4)	
120 (36.6)	6.9 (3.1)	7.7 (3.5)	8.5 (3.9)	9.3 (4.2)	9.4 (4.3)	8.9 (4.0)	130 (39.6)	4.5 (2.0)	5.1 (2.3)	5.7 (2.6)	6.3 (2.9)	6.7 (3.0)	
130 (39.6)		6.7 (3.0)	7.4 (3.4)	8.2 (3.7)	8.4 (3.8)	7.9 (3.6)	140 (42.7)	3.8 (1.7)	4.4 (2.0)	4.9 (2.2)	5.5 (2.5)	6.0 (2.7)	6.4 (2.9)
140 (42.7)			6.5 (2.9)	7.2 (3.3)	7.6 (3.4)	7.1 (3.2)	150 (45.7)		3.6 (1.6)	4.2 (1.9)	4.7 (2.1)	5.3 (2.4)	5.7 (2.6)
150 (45.7)				6.3 (2.9)	6.8 (3.1)	6.4 (2.9)	160 (48.8)			3.5 (1.6)	4.1 (1.9)	4.6 (2.1)	5.0 (2.3)
160 (48.8)						5.8 (2.6)	170 (51.8)				3.4 (1.5)	3.9 (1.8)	4.4 (2.0)
							180 (54.9)						3.8 (1.7)

This material is supplied for reference use only. Operator must refer to in-cab Crane Rating Manual and Operator's Manual to determine allowable crane lifting capacities and assembly and operating procedures.



<b>100 ft (30.5m) Luffing Boom Length – 360° Rotation – ABC+A [62,820+22,200 lb (28 495+10 070kg)] Counterweight</b> [All capacities are listed in kips (mt)]													
50 ft (15.2m) Luffing Jib Length							100 ft (30.5m) Luffing Jib Length						
Load Radius ft (m)	Luffing Boom Angle						Load Radius ft (m)	Luffing Boom Angle					
	90°	85°	80°	75°	70°	65°		90°	85°	80°	75°	70°	65°
25 (7.6)	45.8 (20.8)						35 (10.7)	24.3 (11.0)					
30 (9.1)	41.4 (18.8)						40 (12.2)	23.0 (10.4)					
35 (10.7)	38.0 (17.2)	44.5 (20.2)					50 (15.2)	20.3 (9.2)					
40 (12.2)	36.3 (16.5)	40.2 (18.2)					60 (18.3)	17.9 (8.1)	19.6 (8.9)				
50 (15.2)	34.9 (15.8)	34.6 (15.7)	33.2 (15.1)				70 (21.3)	15.8 (7.2)	17.4 (7.9)	19.0 (8.6)			
60 (18.3)		28.1 (12.7)	26.7 (12.1)	25.3 (11.5)			80 (24.4)	13.9 (6.3)	15.5 (7.0)	17.0 (7.7)			
70 (21.3)			22.1 (10.0)	20.9 (9.5)			90 (27.4)	12.2 (5.5)	13.7 (6.2)	15.2 (6.9)	14.5 (6.6)		
80 (24.4)				17.7 (8.0)	16.7 (7.6)		100 (30.5)	10.8 (4.9)	12.1 (5.5)	13.5 (6.1)	12.6 (5.7)	11.6 (5.3)	
90 (27.4)					14.4 (6.5)	13.6 (6.2)	110 (33.5)		10.7 (4.9)	11.9 (5.4)	11.1 (5.0)	10.3 (4.7)	
100 (30.5)						11.8 (5.4)	120 (36.6)			10.6 (4.8)	9.9 (4.5)	9.2 (4.2)	8.5 (3.9)
							130 (39.6)				8.9 (4.0)	8.2 (3.7)	7.6 (3.4)
							140 (42.7)					7.4 (3.4)	6.8 (3.1)
							150 (45.7)						6.1 (2.8)

This material is supplied for reference use only. Operator must refer to in-cab Crane Rating Manual and Operator's Manual to determine allowable crane lifting capacities and assembly and operating procedures.



100 ft (30.5m) Luffing Boom Length – 360° Rotation – ABC+A [62,820+22,200 lb (28 495+10 070kg)] Counterweight [All capacities are listed in kips (mt)]													
120 ft (36.6m) Luffing Jib Length							140 ft (42.7m) Luffing Jib Length						
Load Radius ft (m)	Luffing Boom Angle						Load Radius ft (m)	Luffing Boom Angle					
	90°	85°	80°	75°	70°	65°		90°	85°	80°	75°	70°	65°
40 (12.2)	18.7 (8.5)						50 (15.2)	13.3 (6.0)					
50 (15.2)	16.6 (7.5)						60 (18.3)	11.7 (5.3)					
60 (18.3)	14.7 (6.7)	16.0 (7.3)					70 (21.3)	10.3 (4.7)	11.3 (5.1)				
70 (21.3)	13.0 (5.9)	14.2 (6.4)					80 (24.4)	9.1 (4.1)	10.0 (4.5)				
80 (24.4)	11.4 (5.2)	12.6 (5.7)	13.8 (6.3)				90 (27.4)	7.9 (3.6)	8.8 (4.0)	9.7 (4.4)			
90 (27.4)	10.0 (4.5)	11.2 (5.1)	12.3 (5.6)				100 (30.5)	6.9 (3.1)	7.8 (3.5)	8.5 (3.9)			
100 (30.5)	8.8 (4.0)	9.9 (4.5)	10.9 (4.9)	11.9 (5.4)			110 (33.5)	5.9 (2.7)	6.8 (3.1)	7.6 (3.4)	8.2 (3.7)		
110 (33.5)	7.7 (3.5)	8.7 (3.9)	9.7 (4.4)	10.6 (4.8)			120 (36.6)	5.1 (2.3)	5.9 (2.7)	6.7 (3.0)	7.3 (3.3)		
120 (36.6)	6.7 (3.0)	7.6 (3.4)	8.6 (3.9)	9.5 (4.3)	8.8 (4.0)		130 (39.6)	4.3 (2.0)	5.0 (2.3)	5.8 (2.6)	6.5 (2.9)	7.0 (3.2)	
130 (39.6)		6.6 (3.0)	7.6 (3.4)	8.5 (3.9)	7.8 (3.5)	7.2 (3.3)	140 (42.7)	3.6 (1.6)	4.3 (2.0)	5.0 (2.3)	5.7 (2.6)	6.3 (2.9)	
140 (42.7)			6.6 (3.0)	7.5 (3.4)	7.0 (3.2)	6.4 (2.9)	150 (45.7)		3.6 (1.6)	4.3 (2.0)	4.9 (2.2)	5.6 (2.5)	5.4 (2.4)
150 (46.0)				6.6 (3.0)	6.3 (2.9)	5.8 (2.6)	160 (48.8)			3.6 (1.6)	4.2 (1.9)	4.8 (2.2)	4.8 (2.2)
160 (48.8)					5.7 (2.6)	5.2 (2.4)	170 (51.8)				3.6 (1.6)	4.2 (1.9)	4.3 (2.0)
170 (51.8)						4.7 (2.1)	180 (54.9)					3.6 (1.6)	3.9 (1.8)
							190 (57.9)						3.5 (1.6)

This material is supplied for reference use only. Operator must refer to in-cab Crane Rating Manual and Operator's Manual to determine allowable crane lifting capacities and assembly and operating procedures.



120 ft (36.6m) Luffing Boom Length – 360° Rotation – ABC+A [62,820+22,200 lb (28 495+10 070kg)] Counterweight [All capacities are listed in kips (mt)]													
50 ft (15.2m) Luffing Jib Length							100 ft (30.5) Luffing Jib Length						
Load Radius ft (m)	Luffing Boom Angle						Load Radius ft (m)	Luffing Boom Angle					
	90°	85°	80°	75°	70°	65°		90°	85°	80°	75°	70°	65°
25 (7.6)	45.0 (20.4)						35 (10.7)	23.2 (10.5)					
30 (9.1)	40.8 (18.5)						40 (12.2)	22.0 (10.0)					
35 (10.7)	37.6 (17.1)						50 (15.2)	19.5 (8.8)					
40 (12.2)	35.9 (16.3)	41.2 (18.7)					60 (18.3)	17.3 (7.8)	19.3 (8.8)				
50 (15.2)	34.1 (15.5)	34.7 (15.7)					70 (21.3)	15.3 (6.9)	17.1 (7.8)				
60 (18.3)		27.9 (12.7)	26.1 (11.8)				80 (24.4)	13.5 (6.1)	15.3 (6.9)	17.0 (7.7)			
70 (21.3)		23.0 (10.4)	21.6 (9.8)	20.1 (9.1)			90 (27.4)	11.9 (5.4)	13.5 (6.1)	15.0 (6.8)	13.7 (6.2)		
80 (24.4)			18.2 (8.3)	17.0 (7.7)	15.7 (7.1)		100 (30.5)	10.5 (4.8)	12.0 (5.4)	13.1 (5.9)	12.0 (5.4)		
90 (27.4)				14.6 (6.6)	13.6 (6.2)		110 (33.5)		10.6 (4.8)	11.6 (5.3)	10.6 (4.8)	9.6 (4.4)	
100 (30.5)					11.8 (5.4)	10.9 (4.9)	120 (36.6)		9.3 (4.2)	10.3 (4.7)	9.4 (4.3)	8.5 (3.9)	
110 (33.5)						9.6 (4.4)	130 (39.6)			9.2 (4.2)	8.4 (3.8)	7.6 (3.4)	6.8 (3.1)
							140 (42.7)				7.5 (3.4)	6.8 (3.1)	6.1 (2.8)
							150 (45.7)					6.1 (2.8)	5.5 (2.5)
							160 (48.8)						4.9 (2.2)

This material is supplied for reference use only. Operator must refer to in-cab Crane Rating Manual and Operator's Manual to determine allowable crane lifting capacities and assembly and operating procedures.



120 ft (36.6m) Luffing Boom Length – 360° Rotation – ABC+A [62,820+22,200 lb (28 495+10 070kg)] Counterweight [All capacities are listed in kips (mt)]													
120 ft (36.6m) Luffing Jib Length							140 ft (42.7m) Luffing Jib Length						
Load Radius ft (m)	Luffing Boom Angle						Load Radius ft (m)	Luffing Boom Angle					
	90°	85°	80°	75°	70°	65°		90°	85°	80°	75°	70°	65°
40 (12.2)	17.8 (8.1)						50 (15.2)	12.6 (5.7)					
50 (15.2)	15.8 (7.2)						60 (18.3)	11.1 (5.0)					
60 (18.3)	14.0 (6.4)						70 (21.3)	9.8 (4.4)	11.0 (5.0)				
70 (21.3)	12.5 (5.7)	13.9 (6.3)					80 (24.4)	8.7 (3.9)	9.7 (4.4)				
80 (24.4)	11.0 (5.0)	12.3 (5.6)					90 (27.4)	7.6 (3.4)	8.6 (3.9)	9.6 (4.4)			
90 (27.4)	9.7 (4.4)	11.0 (5.0)	12.2 (5.5)				100 (30.5)	6.6 (3.0)	7.6 (3.4)	8.5 (3.9)			
100 (30.5)	8.5 (3.9)	9.7 (4.4)	10.9 (4.9)	11.6 (5.3)			110 (33.5)	5.7 (2.6)	6.6 (3.0)	7.5 (3.4)	8.3 (3.8)		
110 (33.5)	7.4 (3.4)	8.6 (3.9)	9.7 (4.4)	10.2 (4.6)			120 (36.6)	4.9 (2.2)	5.8 (2.6)	6.7 (3.0)	7.4 (3.4)		
120 (36.6)	6.5 (2.9)	7.5 (3.4)	8.6 (3.9)	9.0 (4.1)	8.1 (3.7)		130 (39.6)	4.1 (1.9)	5.0 (2.3)	5.8 (2.6)	6.6 (3.0)	6.8 (3.1)	
130 (39.6)		6.6 (3.0)	7.6 (3.4)	8.0 (3.6)	7.2 (3.3)		140 (42.7)	3.5 (1.6)	4.2 (1.9)	5.0 (2.3)	5.8 (2.6)	6.0 (2.7)	
140 (42.7)		5.7 (2.6)	6.7 (3.0)	7.2 (3.3)	6.4 (2.9)	5.7 (2.6)	150 (45.7)		3.6 (1.6)	4.3 (2.0)	5.1 (2.3)	5.4 (2.4)	4.7 (2.1)
150 (45.7)			5.8 (2.6)	6.5 (2.9)	5.8 (2.6)	5.1 (2.3)	160 (48.8)		2.9 (1.3)	3.7 (1.7)	4.4 (2.0)	4.8 (2.2)	4.2 (1.9)
160 (48.8)				5.9 (2.7)	5.2 (2.4)	4.6 (2.1)	170 (51.8)			3.0 (1.4)	3.7 (1.7)	4.3 (2.0)	3.7 (1.7)
170 (51.8)					4.7 (2.1)	4.1 (1.9)	180 (54.9)				3.1 (1.4)	3.8 (1.7)	3.3 (1.5)
180 (54.9)						3.7 (1.7)	190 (57.9)					3.2 (1.5)	3.0 (1.4)
							200 (61.0)						2.6 (1.2)

This material is supplied for reference use only. Operator must refer to in-cab Crane Rating Manual and Operator's Manual to determine allowable crane lifting capacities and assembly and operating procedures.



140 ft (42.7m) Luffing Boom Length – 360° Rotation – ABC+A [62,820+22,200 lb (28 495+10 070kg)] Counterweight [All capacities are listed in kips (mt)]													
50 ft (15.2m) Luffing Jib Length							100 ft (30.5) Luffing Jib Length						
Load Radius ft (m)	Luffing Boom Angle						Load Radius ft (m)	Luffing Boom Angle					
	90°	85°	80°	75°	70°	65°		90°	85°	80°	75°	70°	65°
25 (7.6)	41.1 (18.6)						35 (10.7)	21.9 (9.9)					
30 (9.1)	38.6 (17.5)						40 (12.2)	20.9 (9.5)					
35 (10.7)	36.3 (16.5)						50 (15.2)	18.5 (8.4)					
40 (12.2)	34.3 (15.6)	38.5 (17.5)					60 (18.3)	16.5 (7.5)	18.7 (8.5)				
50 (15.2)	29.8 (13.5)	33.5 (15.2)					70 (21.3)	14.6 (6.6)	16.6 (7.5)				
60 (18.3)		27.6 (12.5)	25.3 (11.5)				80 (24.4)	12.9 (5.9)	14.9 (6.8)	16.8 (7.6)			
70 (21.3)		22.7 (10.3)	21.0 (9.5)	19.0 (8.6)			90 (27.4)	11.5 (5.2)	13.2 (6.0)	14.5 (6.6)			
80 (24.4)			17.7 (8.0)	16.2 (7.3)			100 (30.5)	10.1 (4.6)	11.8 (5.4)	12.6 (5.7)	11.3 (5.1)		
90 (27.4)				14.0 (6.4)	12.6 (5.7)		110 (33.5)		10.4 (4.7)	11.2 (5.1)	9.9 (4.5)		
100 (30.5)					11.0 (5.0)	9.8 (4.4)	120 (36.6)		9.2 (4.2)	9.9 (4.5)	8.8 (4.0)	7.7 (3.5)	
110 (33.5)						8.7 (3.9)	130 (39.6)			8.9 (4.0)	7.9 (3.6)	6.9 (3.1)	
							140 (42.7)				7.1 (3.2)	6.1 (2.8)	5.3 (2.4)
							150 (45.7)					5.5 (2.5)	4.7 (2.1)
							160 (48.8)						4.2 (1.9)

This material is supplied for reference use only. Operator must refer to in-cab Crane Rating Manual and Operator's Manual to determine allowable crane lifting capacities and assembly and operating procedures.



<b>140 ft (42.7m) Luffing Boom Length – 360° Rotation – ABC+A [62,820+22,200 lb (28 495+10 070kg)] Counterweight</b> [All capacities are listed in kips (mt)]													
120 ft (36.6m) Luffing Jib Length							140 ft (42.7m) Luffing Jib Length						
Load Radius ft (m)	Luffing Boom Angle						Load Radius ft (m)	Luffing Boom Angle					
	90°	85°	80°	75°	70°	65°		90°	85°	80°	75°	70°	65°
40 (12.2)	16.7 (7.6)						50 (15.2)	11.8 (5.4)					
50 (15.2)	14.9 (6.8)						60 (18.3)	10.4 (4.7)					
60 (18.3)	13.3 (6.0)						70 (21.3)	9.3 (4.2)	10.5 (4.8)				
70 (21.3)	11.8 (5.4)	13.4 (6.1)					80 (24.4)	8.2 (3.7)	9.3 (4.2)				
80 (24.4)	10.5 (4.8)	11.9 (5.4)					90 (27.4)	7.2 (3.3)	8.3 (3.8)				
90 (27.4)	9.2 (4.2)	10.7 (4.9)	12.0 (5.4)				100 (30.5)	6.2 (2.8)	7.3 (3.3)	8.3 (3.8)			
100 (30.5)	8.1 (3.7)	9.5 (4.3)	10.8 (4.9)				110 (33.5)	5.4 (2.4)	6.4 (2.9)	7.4 (3.4)			
110 (33.5)	7.1 (3.2)	8.4 (3.8)	9.7 (4.4)	9.5 (4.3)			120 (36.6)	4.6 (2.1)	5.6 (2.5)	6.6 (3.0)	7.4 (3.4)		
120 (36.6)	6.2 (2.8)	7.4 (3.4)	8.6 (3.9)	8.4 (3.8)			130 (39.6)	3.9 (1.8)	4.8 (2.2)	5.8 (2.6)	6.6 (3.0)		
130 (39.6)		6.5 (2.9)	7.6 (3.4)	7.5 (3.4)	6.5 (2.9)		140 (42.7)	3.3 (1.5)	4.1 (1.9)	5.0 (2.3)	5.9 (2.7)	5.4 (2.4)	
140 (42.7)		5.6 (2.5)	6.7 (3.0)	6.7 (3.0)	5.8 (2.6)		150 (45.7)		3.5 (1.6)	4.3 (2.0)	5.1 (2.3)	4.8 (2.2)	
150 (45.7)			5.9 (2.7)	6.0 (2.7)	5.2 (2.4)	4.3 (2.0)	160 (48.8)		2.9 (1.3)	3.7 (1.7)	4.4 (2.0)	4.2 (1.9)	3.4 (1.5)
160 (48.8)				5.4 (2.4)	4.6 (2.1)	3.8 (1.7)	170 (51.8)			3.1 (1.4)	3.8 (1.7)	3.8 (1.7)	2.9 (1.3)
170 (51.8)					4.1 (1.9)	3.4 (1.5)	180 (54.9)				3.2 (1.5)	3.4 (1.5)	2.5 (1.1)
180 (54.9)						3.0 (1.4)	190 (57.9)					3.0 (1.4)	2.1 (1.0)

This material is supplied for reference use only. Operator must refer to in-cab Crane Rating Manual and Operator's Manual to determine allowable crane lifting capacities and assembly and operating procedures.



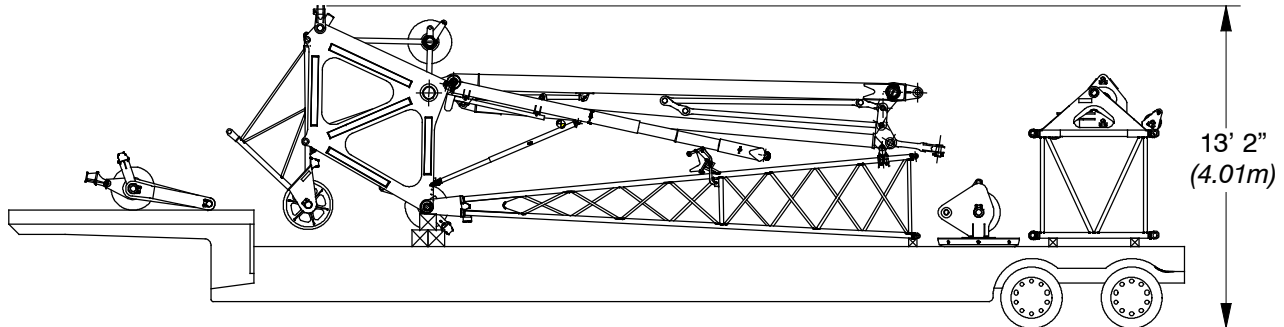


<b>150 ft (45.7m) Luffing Boom Length – 360° Rotation – ABC+A [62,820+22,200 lb (28 495+10 070kg)] Counterweight [All capacities are listed in kips (mt)]</b>													
80 ft (24.4m) Luffing Jib Length							100 ft (30.5) Luffing Jib Length						
Load Radius ft (m)	Luffing Boom Angle						Load Radius ft (m)	Luffing Boom Angle					
	90°	85°	80°	75°	70°	65°		90°	85°	80°	75°	70°	65°
30 (9.1)	25.2 (11.4)						35 (10.7)	19.3 (8.8)					
35 (10.7)	23.8 (10.8)						40 (12.2)	18.3 (8.3)					
40 (12.2)	22.5 (10.2)						50 (15.2)	16.2 (7.3)					
50 (15.2)	19.9 (9.0)	23.0 (10.4)					60 (18.3)	14.3 (6.5)	16.4 (7.4)				
60 (18.3)	17.5 (7.9)	20.3 (9.2)					70 (21.3)	12.6 (5.7)	14.6 (6.6)				
70 (21.3)	15.4 (7.0)	18.0 (8.2)	20.0 (9.1)				80 (24.4)	11.1 (5.0)	13.0 (5.9)	14.8 (6.7)			
80 (24.4)	13.5 (6.1)	15.9 (7.2)	17.0 (7.7)				90 (27.4)	9.7 (4.4)	11.5 (5.2)	13.2 (6.0)			
90 (27.4)		14.1 (6.4)	14.6 (6.6)	13.0 (5.9)			100 (30.5)	8.5 (3.9)	10.1 (4.6)	11.9 (5.4)	10.9 (4.9)		
100 (30.5)		12.4 (5.6)	12.8 (5.8)	11.3 (5.1)			110 (33.5)		8.9 (4.0)	10.5 (4.8)	9.6 (4.4)		
110 (33.5)			11.3 (5.1)	10.0 (4.5)	8.7 (3.9)		120 (36.6)		7.8 (3.5)	9.3 (4.2)	8.5 (3.9)	7.3 (3.3)	
120 (36.6)				8.9 (4.0)	7.7 (3.5)		130 (39.6)			8.2 (3.7)	7.6 (3.4)	6.5 (2.9)	
130 (39.6)					6.9 (3.1)	5.9 (2.7)	140 (42.7)				6.8 (3.1)	5.8 (2.6)	4.8 (2.2)
140 (42.7)					6.1 (2.8)	5.2 (2.4)	150 (45.7)					5.2 (2.4)	4.3 (2.0)
150 (45.7)						4.7 (2.1)	160 (48.8)					4.7 (2.1)	3.8 (1.7)
							170 (51.8)						3.4 (1.5)

This material is supplied for reference use only. Operator must refer to in-cab Crane Rating Manual and Operator's Manual to determine allowable crane lifting capacities and assembly and operating procedures.

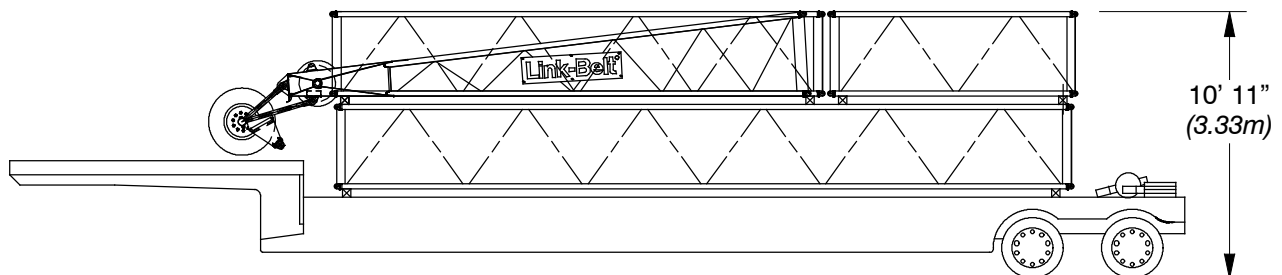


# Luffing Attachment Transport



## Luffing Attachment Shipping Module #1 – lb (kg)

5 ft (1.52m) luffing boom top section, fan posts, 20ft (6.10m) luffing jib base section,  
5 ft (1.52m) bail anchor extension, luffing jib bail, and luffing jib bridle



## Luffing Attachment Shipping Module #2 – lb (kg)

20 ft (6.10m) luffing jib top section with nose wheel, 30 ft (9.14m) luffing jib extension (2 each),  
20 ft (6.10m) luffing jib extension, and 10 ft (3.05m) luffing jib extension (2 each)



This Page Intentionally Blank



5533 (supersedes 5489) – 0608 – N6

**Link-Belt Construction Equipment Company** Lexington, Kentucky [www.linkbelt.com](http://www.linkbelt.com)

®Link-Belt is a registered trademark. Copyright 2008. We are constantly improving our products and therefore reserve the right to change designs and specifications.