



# LIFTMOORE L-21 CRANE

6,000 FT.-LB. MOMENT RATING  
2,000 LB. MAXIMUM CAPACITY

- The L-21 was designed to allow one man to easily load heavy objects.
- The boom folds for travel taking up minimum bed and overhead space.
- Crane capacity is 2000 lbs. @ 3ft. radius: 1200lbs. @ 5 ft.
- The standard boom telescopes from 3 ft. to 5 ft in the 20 degree position with an intermediate position @ 4 ft.
- Optional boom telescopes from 3'3" to 7'3".
- With a 79" hook height & the standard boom in the 45 degree position, taller objects can be easily loaded.
- 12V DC electric permanent magnet motor powers a planetary gear driven winch for best possible efficiency.
- Only an 87 amp current draw while lifting 1000 Lbs. at 19 feet per minute.
- Rotates on tapered roller bearings for long life and easy movement. 360 degree rotation is standard.
- A manual band brake is used to control boom swing.
- A removable pendant control for easy one man operation is supplied.

Boom telescopes from 3' to 5'

Three boom Angle positions

Travel block included

12V planetary gear winch

Band Brake

Tapered roller bearings for easy rotation thru 360°

Remote pendant winch control



Boom folded for traveling



HOUSTON, TEXAS  
FAX: (800) 824-5559 (USA & Canada)  
FAX: (713) 688-6324  
PHONE: (713) 688-5533  
www.liftmoore.com

### Lift Capacities

- 2000 lbs. @ 3 ft.
- 1500 lbs. @ 4 ft.
- 1200 lbs. @ 5 ft.
- 1000 lbs. @ 6 ft. \*
- 850 lbs. @ 7 ft. \*

\*When equipped with optional boom.



# L-21 SPECIFICATIONS

**Moment Rating:**

6000 Ft. Lbs.

**Lift Capacities:**

- 2000 Lbs. @ 3 ft.
- 1500 Lbs. @ 4 ft.
- 1200 Lbs. @ 5 ft.
- 1000 Lbs. @ 6 ft. \*
- 850 Lbs. @ 7 ft. \*

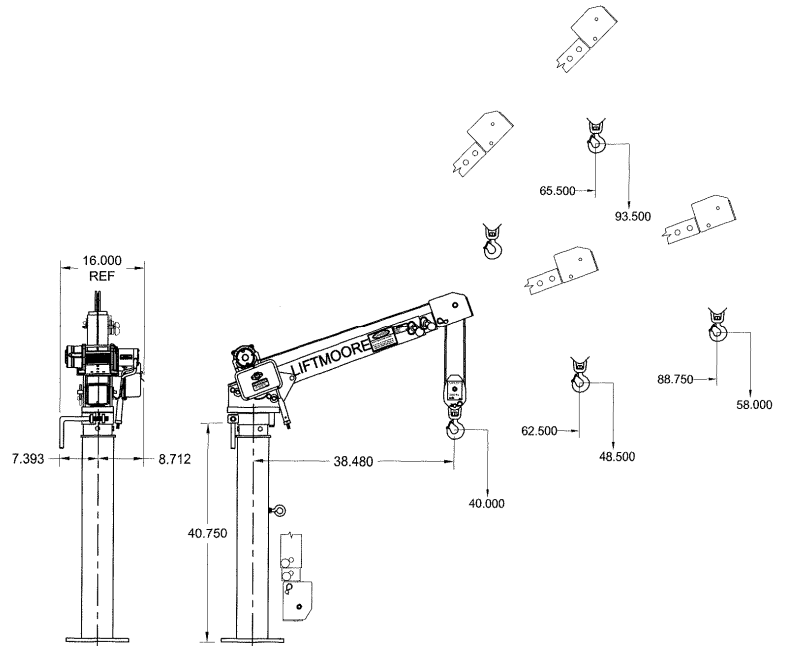
\* When equipped with optional boom.

**Boom:**

Standard length 3' to 5' telescopic  
 Optional length 3'3" to 7'3" telescopic  
 Two lifting positions at 20 degrees & 45 degrees  
 Lowers to vertical position for travel.

**Winch:**

Planetary gear drive with permanent magnet motor.



**Performance**

Load ( Pounds)	Hook Speed ( Ft. Per Minute)	Electrical Load (Amperes)
0	25	22
500	22	55
1000	19	87

Use travel block for double line hookup above 1000 Lbs.

**Winch Cable:**

3/16 galvanized aircraft X 25' long (4200 lb. breaking strength)  
 is supplied with traveling block.

**Remote Pendant:**

Control is 12 ft. long and removable from the crane for safety.  
 A momentary toggle switch controls winch up and down.  
 A 20' long control is available as an option.

**Battery Cable:**

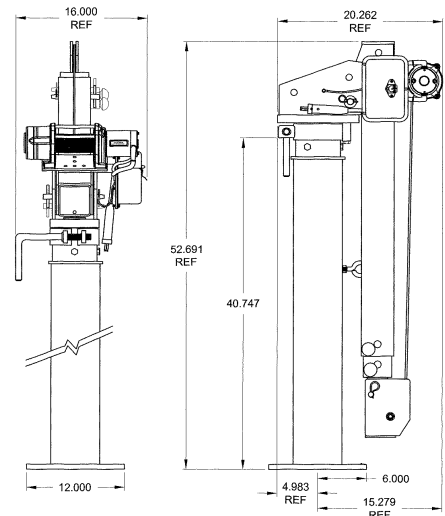
25' of cable is supplied with quick disconnect at crane,  
 A 3' long battery ground wire and a 150 Amp Circuit Breaker.

**Rotation:**

360 degrees with band brake to control swing.  
 The crane rotates on two tapered roller bearings.

**Mounting:** A minimum 8,600 Lb. GVWR recommended.

4 - 1/2" X 2 1/2" Grade 8 Bolts are supplied.  
 Crane mounts on 9 1/2" square bolt pattern, Base plate is 12"x12"



**Optional:**

Anti-Two Block for L-21-7

**Optional Accessories:**

- 30328 Jack Stand
- 30330 Drum Tongs



HOUSTON, TEXAS  
 FAX: (800) 824-5559 (USA & Canada)  
 FAX: (713) 688-6324  
 PHONE: (713) 688-5533  
 www.liftmoore.com