



BIGMAX Cranes

TC Series

Compact Telescopic Mono-Boom Cranes



Choice

- 20 models from 6,700 to 25,000 ft. lbs.
- Hydraulic extensions to 19.5 feet
- Compact design requires less mounting/stowage space
- Powered by PTO pump or truck battery
- Range of outrigger stabilizers

Strength

- High tensile steel construction
- Designed for low weight and maximum lift
- Cast steel base with oil bath slewing gears
- Two-year limited warranty

Safety

- Active and passive overload protection
- Counterbalance safety valve flange-mounted to main cylinder
- In-cab power shutoff switch on DC models
- Complies with ANSI B 30.5, DIN 15018 and EN12999 Standards



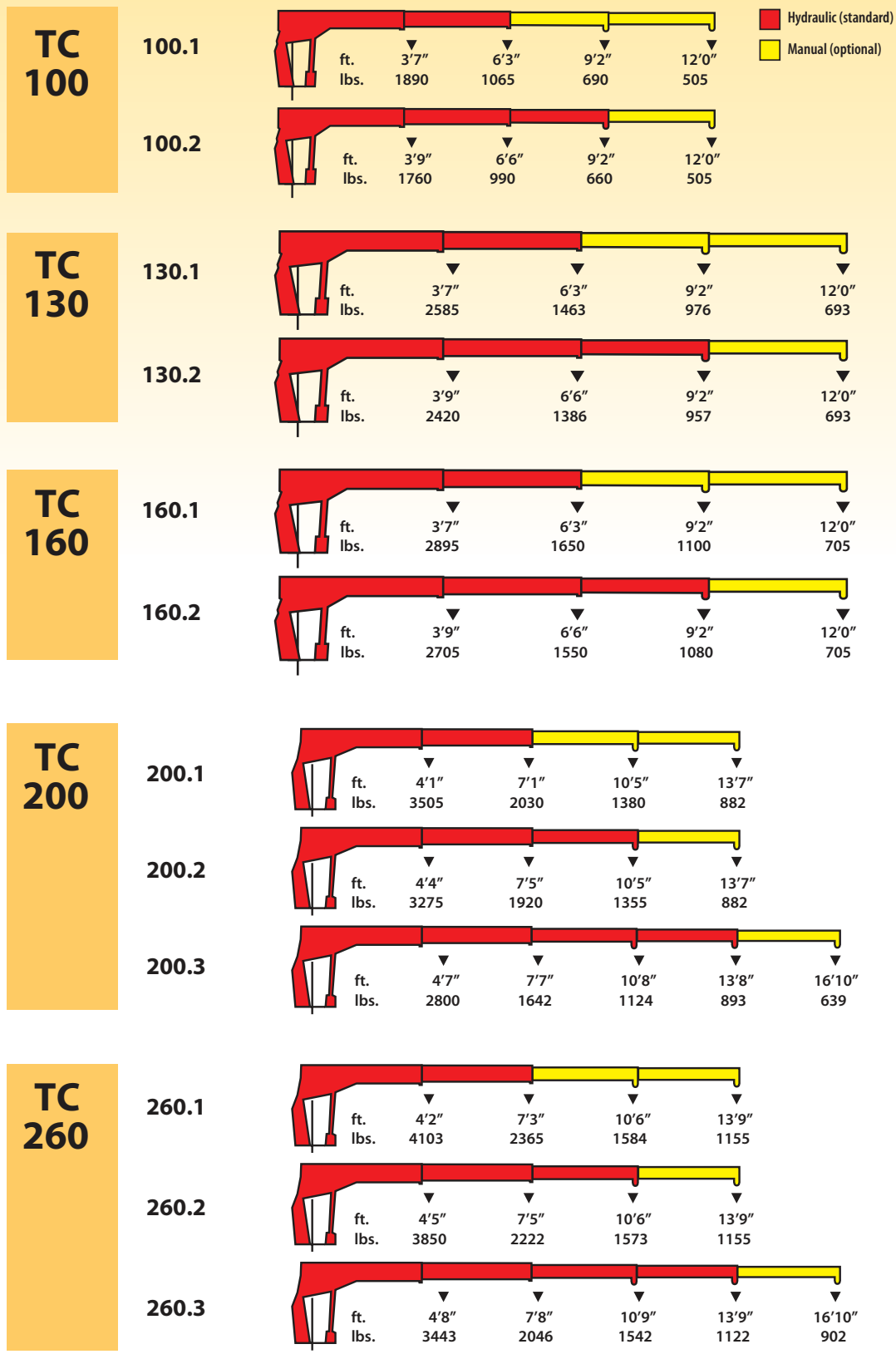
www.bigmaxcranes.com

BIGMAX by Technocrane

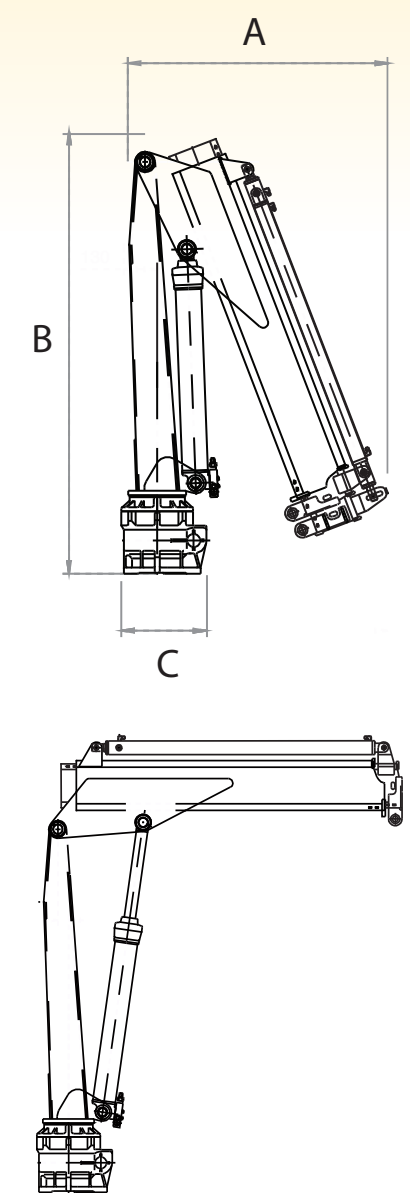
Toll free: 877-531-8644 | info@bigmaxcranes.com



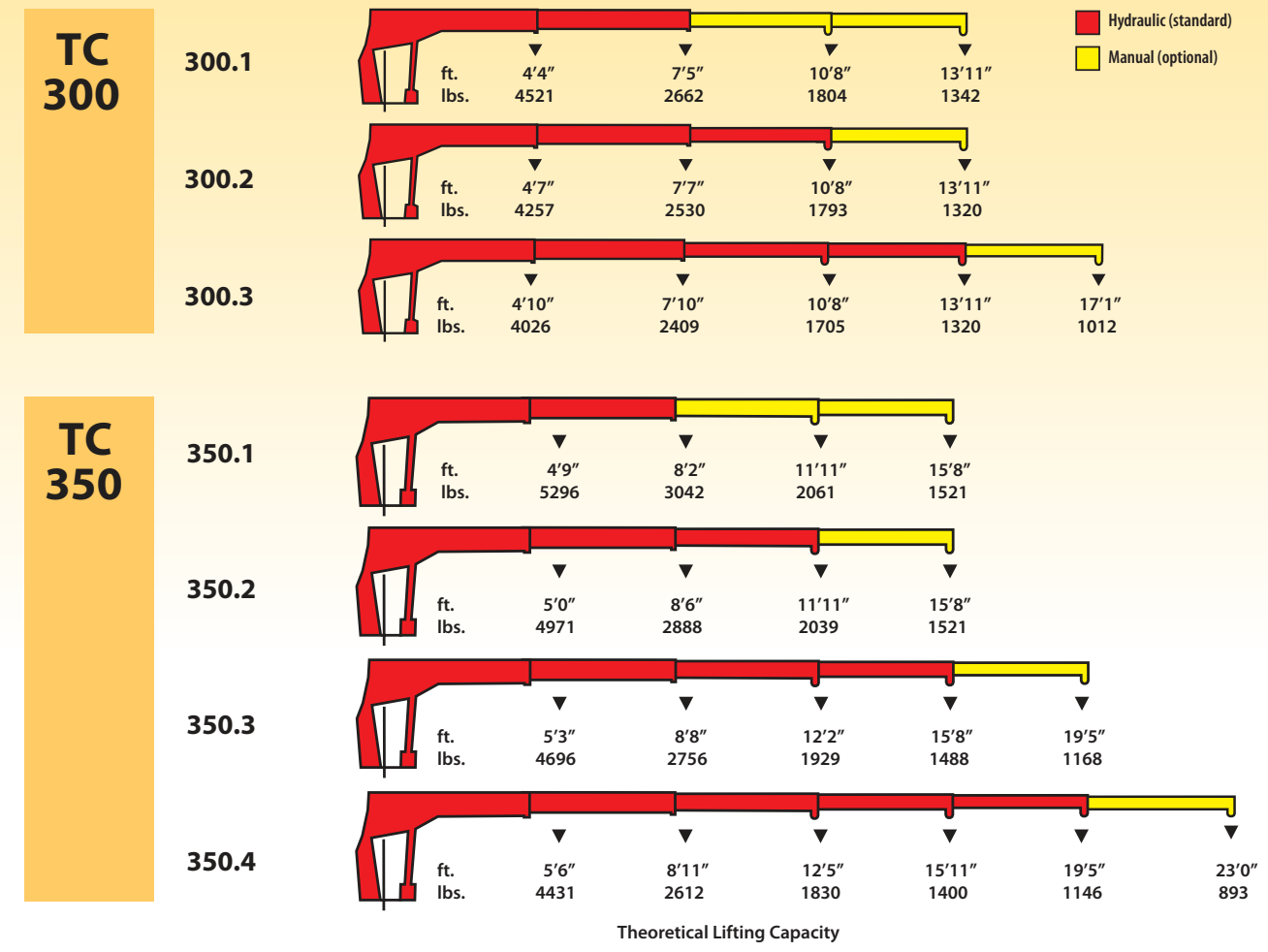
TC Series Reach and Load Chart



| MODEL | Dimensions (inches) | | |
|--------|---------------------|------|------|
| | A | B | C |
| TC 100 | 24.6 | 48.8 | 11.8 |
| TC 130 | 31.3 | 48.9 | 12.2 |
| TC 160 | 31.3 | 48.9 | 12.2 |
| TC 200 | 32.0 | 59.1 | 11.8 |
| TC 260 | 33.9 | 63.0 | 11.8 |
| TC 300 | 33.9 | 63.0 | 11.8 |
| TC 350 | 41.0 | 67.0 | 13.0 |



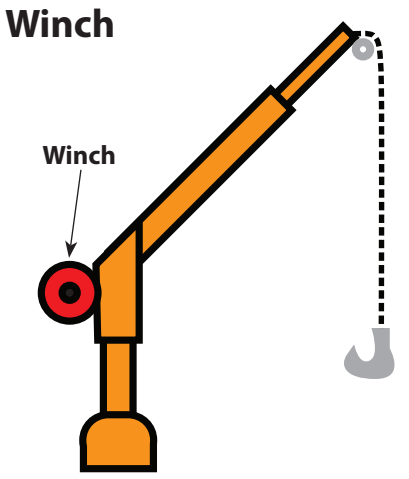
TC Series Reach and Load Chart



TC Blizzard Crane With Winch

TC 100 and TC 130 cranes are available with a heel mounted 800 lb. winch.

TC Blizzard cranes are designed to lift material such as waste bags vertically, close to the column.





CRANE OPTIONS

1. Power Pack: 12 and 24V DC power packs are available when a PTO pump is not available.

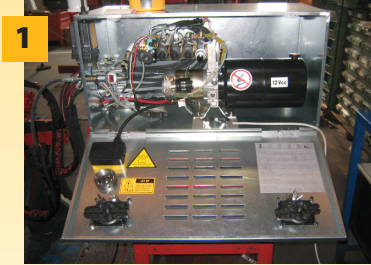
2. Crane Mounting Base: to mount the crane directly to the truck frame.

3. Winch: a winch can be installed on most TC models to increase vertical lift capability. Winches are standard on TC Blizzard cranes.

4. Radio/Wireless Controls: hand held or wired controls are available for enhanced safety and convenience.

5. Accessories: rotators, grabs and augers are available for most TC models.

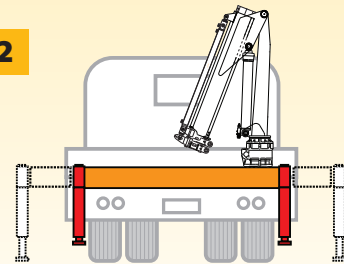
6. Outrigger Stabilizers: are available for all TC Series cranes.



4



2



5



6



3



TC Series – Compact Telescopic Mono-Boom Cranes

SPECIFICATIONS

| MODEL | Maximum Lift | Lift Moment (Ft. Lbs.) | Maximum Reach | Base Crane Weight (Lbs.) |
|--------|--------------|------------------------|---------------|--------------------------|
| TC 100 | 1,890 lbs | 6,710 | 12' | 277-332 |
| TC 130 | 2,585 lbs | 8,800 | 12' | 341-396 |
| TC 160 | 2,895 lbs | 10,250 | 12' | 341-396 |
| TC 200 | 3,505 lbs | 14,430 | 16'10" | 417-530 |
| TC 260 | 4,103 lbs | 17,175 | 16'10" | 497-601 |
| TC 300 | 4,521 lbs | 19,850 | 17'1" | 521-653 |
| TC 350 | 5,296 lbs | 24,900 | 23' | 650-860 |

BIGMAX CRANES by Technocrane

4165 Packalen Blvd.
Garden Bay, BC
Canada V0N 1S1

Office: 604-575-2103
Toll free: 877-531-8644
Fax: 604-648-9852
info@bigmaxcranes.com

Contact us for a price quote today!

Fast delivery as most models delivered from stock!



www.bigmaxcranes.com